

GE Sensing

Features

- Generating hydraulic pressure up to 15,000 psi (1000 bar)
- Stainless steel sealed construction
- Lightweight, hand held and easy to use
- Optional over pressure protection system (via adjustable relief valve)
- Quick priming and pressure generation using scissor action pump
- High pressure/priming selector
- Fine adjustment control
- Pressure release valve
- Large see-through reservoir with a capacity of over 100 cc

- Compatible with most liquids, e.g. mineral oil, distilled water ('Skydrol'/brake fluid option also available)
- Supplied with carrying case
- Optional accessories include a set of adaptors and a flexible hose with quick-fit connectors suitable for many applications.

HTP1-700 and HTP1-1000 are lightweight, easy-to-use and can generate pressures up to 10,000 psi (700 bar) and 15,000 psi (1000 bar). The HTP1 series are well suited for calibrating pressure transmitters, pressure transducers, pressure switches and pressure gauges.

These hydraulic hand pumps can be used as a portable pressure comparator in conjunction with various pressure indicating devices.

The system offers adjustable over-pressure protection, fine control, and a unique selector switch to move from priming to high pressure generation.

HTP1

Druck Hydraulic Pressure Test System

HTP1 is a Druck product. Druck has joined other GE high-technology sensing businesses under a new name—GE Industrial, Sensing.



HTP1 Specifications

General

- HTP1-700: 0 to 10,000 psi (0 to 700 bar)
- HTP1-1000: 0 to 15,000 psi (0 to 1000 bar)

Materials

Series 300 stainless steel, brass, nickel plated brass, pyrex™, nitrile, polyurethane and PTFE

Pressure Media

- Mineral based hydraulic oil
- Distilled water
(‘skydrol’ and brake fluid option available HTP1-S)

Pressure Connections

- 3/8 BSP female or 1/4 in NPT female adaptor
- 1/4 BSP or NPT female (blanked off)
- Quick fit connector to suit flexible hose

Dimensions (l x w x d)

9.3 in x 6.9 in x 2.8 in (236 mm x 176 mm x 70 mm)

Weight

3.5 lb (1.6 kg)

Master Instruments available to Suit HTP1-700, HTP1-1000	Accuracy FS
Pressure calibrator (PC6 range)	0.025% to 0.05%
Digital indicator DPI 104	0.05%
HTPG Analogue Gauges	0.5%

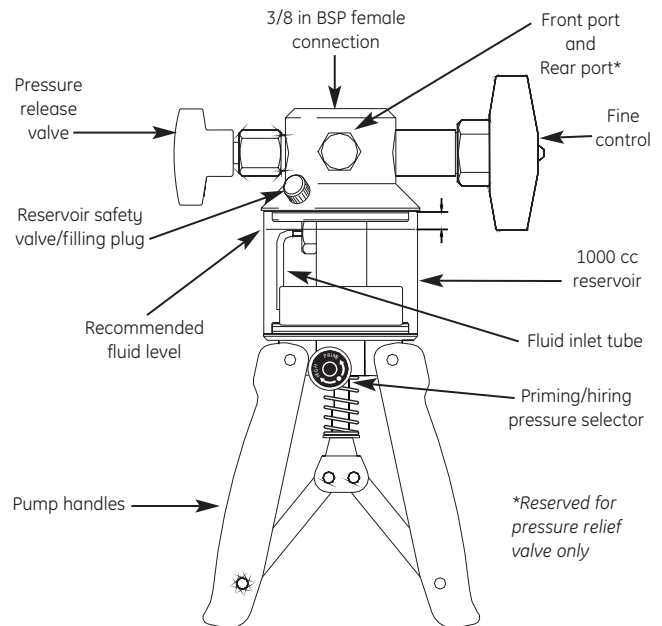
Order Codes

HTP1-700, HTP1-1000

Hydraulic pressure test system in compact carrying case.

Five Ranges of Pressure Relief Valve

- PRV12-1-HTP1: 145 to 725 psi (0 to 50 bar)
- PRV12-2-HTP1: 725 to 2900 psi (50 to 200 bar)
- PRV12-3-HTP1: 2900 to 5800 psi (200 to 400 bar)
- PRV12-4-HTP1: 4350 to 10,000 psi (300 to 700 bar)
- PRV12-5-HTP1: 10,000 to 15,000 psi (700 to 1000 bar)



Pump shown select with handles in 'prime' position

HTPA-700, HTPA-1000

Set of seven adaptors: 1/4 BSP male to 1/8, 3/8, 1/2 BSP and NPT female adaptors

HK1

3 ft (1 m) long flexible hose and gauge adaptor with quick-fit hose (oil)

HK1-W

3 ft (1 m) long flexible hose and gauge adaptor with quick-fit hose (water)

HK1-1000

3 ft (1 m) long self-sealing hose assembly for use with oil or water; 15,000 psi (1000 bar) working pressure

HKPK1

Service kit containing a set of seals

DW6292

1 liter can of hydraulic oil

The HTP1 series can be used as a portable pressure comparator along with master instruments, such as: PC6-IDOS and DPI 800 Series pressure calibrators, DPI 104 digital test gauges and HTPC analog gauges. For more information please refer to individual data sheets.



©2006 GE. All rights reserved.
920-196A

All specifications are subject to change for product improvement without notice. GE® is a registered trademark of General Electric Co. Other company or product names mentioned in this document may be trademarks or registered trademarks of their respective companies, which are not affiliated with GE.

Contact:

Industrial Process Measurement, Inc.
3910 Park Avenue, Unit 7
Edison, NJ 08820
732-632-6400
support@instrumentation2000.com
http://www.instrumentation2000.com