



Current transformers

Measurement devices

from 50 to 2000 A

Current transformers

new



TCB 26-30 UL



TCB 44-50 UL



TCB 70-100 UL

Function

SOCOMEK current transformers deliver to the secondary a standard current proportional to the primary current and adapted to the rating of the associated device.

- Accuracy class 1.
- Secondary rated current 5 A.
- Maximum voltage 1.2 kV Phase to phase.
- Dielectric strength 6 kV 50 Hz 1 min.
- Permanent overload 1.2 I_n .
- Operating voltage up to 690 V.
- Housing UL94-V0.

Advantages

Quick and easy to mount

Our current transformers are adapted to any type of mounting: edgewise or flat mounting, DIN-rail or back-plate mounting. Primary and secondary are equipped with terminal cage clamp to make installation fast and easy.

An adapted accuracy class

In order to get the best of your DIRIS multifunction meters and energy meters, we can provide current transformers with the following accuracy classes: 1 or 3.

A wide range of ratings and dimensions

Your measurement process can be optimized whatever your needs in terms of ratings, space requirements, conductor sizing or accuracy class. A wide range of combinations are available in our standard range with specific versions available on request (other ratios, tropicalization and specific frequency, class or burden). SOCOMEK current transformers are compatible for 600V network.

The solution for

- > Industry
- > Office buildings



Strong points

- > Quick and easy to mount

Conformity to standards

- > Guide XODW2 file E487234



- > IEC 61869-2



Cable or bar through CT

References

Primary	Secondary	TCB 26-30 UL			TCB 32-40 UL		TCB 44-50 UL		TCB 44-63 UL		TCB 55-80 UL		TCB 70-100 UL	
		Class 3	Class 1	Reference	Class 1	Reference	Class 1	Reference	Class 1	Reference	Class 1	Reference	Class 1	Reference
50 A	5 A	1.25		193T 2305										
60 A	5 A		1.25	193T 2306										
75 A	5 A		2.5	193T 2307										
80 A	5 A		2.5	193T 2308										
100 A	5 A		2.5	193T 2310			1.25	193T 5010						
150 A	5 A		5	193T 2315	2.5	193T 4015	2.5	193T 5015						
200 A	5 A		5	193T 2320	5	193T 4020	5	193T 5020						
250 A	5 A		5	193T 2325	5	193T 4025	5	193T 5025	5	193T 6425				
300 A	5 A		5	193T 2330	5	193T 4030	5	193T 5030	5	193T 6430				
400 A	5 A		5	193T 2340	5	193T 4040	10	193T 5040	5	193T 6440	5	193T 8140	5	193T 9640
500 A	5 A		5	193T 2350	10	193T 4050	10	193T 5050	5	193T 6450	5	193T 8150	5	193T 9650
600 A	5 A				10	193T 4060	10	193T 5060	5	193T 6460	5	193T 8160	10	193T 9660
750 A	5 A				10	193T 4075	10	193T 5075	5	193T 6475	10	193T 8175	5	193T 9675
800 A	5 A				10	193T 4080	10	193T 5080	5	193T 6480	10	193T 8180	5	193T 9680
1000 A	5 A				10	193T 4090	10	193T 5090	5	193T 6490	10	193T 8190	5	193T 9690
1200 A	5 A						10	193T 5092	5	193T 6492	10	193T 8192	5	193T 9692
1250 A	5 A						10	193T 5095						
1500 A	5 A								5	193T 6495	10	193T 8195	10	193T 9695
1600 A	5 A										10	193T 8194	10	193T 9694
2000 A	5 A												10	193T 9696

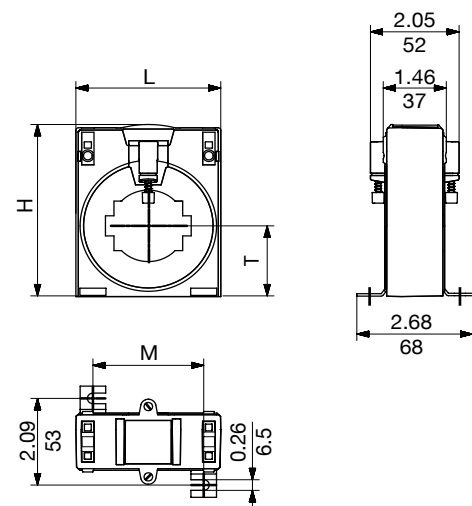
Description of accessories										
Quick fix fastening for busbars up to 85°		193T 0001		193T 0001		193T 0001	193T 0001	193T 0001	193T 0001	193T 0001
Quick fix fastening for busbars up to 130°		193T 0002		193T 0002		193T 0002	193T 0002	193T 0002	193T 0002	193T 0002
Din fix ⁽¹⁾		193T 0003		193T 0003						

(1) DIN fix accessories is included in the product package.

Dimensions

	TCB 26-30 UL (in/mm)	TCB 32-40 UL (in/mm)	TCB 44-50 UL (in/mm)	TCB 44-63 UL (in/mm)	TCB 55-80 UL (in/mm)	TCB 70-100 UL (in/mm)
Busbar 1	1.18 x 0.39 30 x 10	1.57 x 0.39 40 x 10	1.97 x 0.47 50 x 12	2.48 x 0.39 63 x 10	3.15 x 0.39 80 x 10	3.94 x 0.39 100 x 10
Busbar 2	0.98 x 0.47 25 x 12	1.18 x 0.59 30 x 15	1.57 x 1.18 40 x 30	1.97 x 1.18 50 x 30	2.36 x 1.18 60 x 30	3.15 x 1.18 80 x 30
Busbar 3	0.79 x 0.79 20 x 20					
Ø cable	0.98 25.7	1.22 31.8	1.69 43.7	1.69 43.7	2.12 54.7	2.76 70

Model	L (in/mm)	H (in/mm)	M (in/mm)	T (in/mm)
TCB 26-30 UL	3.36 / 60	3.15 / 80.5	1.57 / 40	1.22 / 31.5
TCB 32-40 UL	2.75 / 70	3.58 / 91.15	1.57 / 40	1.45 / 37
TCB 44-50 UL	3.35 / 85	4.13 / 105.25	2.55 / 65	1.71 / 43.5
TCB 44-63 UL	3.74 / 95	4.48 / 115	2.55 / 65	1.90 / 48.5
TCB 55-80 UL	4.72 / 120	5.27 / 135	3.74 / 95	2.40 / 61
TCB 70-100 UL	5.12 / 130	5.8 / 147.5	3.74 / 95	2.59 / 66



Contact:
Industrial Process Measurement, Inc.
3910 Park Avenue, Unit 7
Edison, NJ 08820
732-632-6400
support@instrumentation2000.com
<https://www.instrumentation2000.com/>