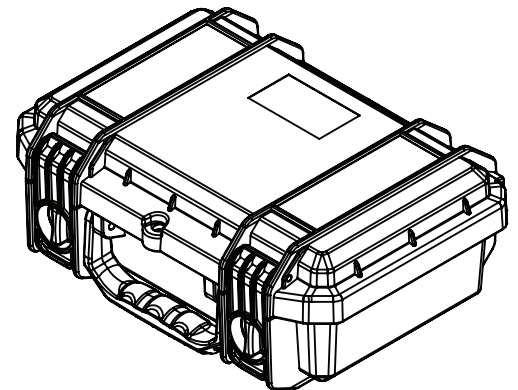


OPTIONAL LATCHES MUST BE SPECIFIED AT TIME OF ORDER. SEE NOTE 2



NOTES:

- 1) Maximum usable inside dimensions are: 10.58" X 6.13" X 3.95"
- 2) Plastic Latch Lock p/n 7002PL
Metal Latch Lock p/n 7002ML

Flange Panel for Top and Bottom 230

