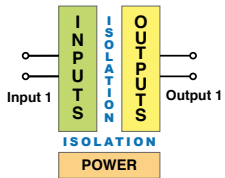




## Leopard TL-Frequency Transmitter / Controller

- ▶ Compact, 22.5mm, DIN Rail Mount Transmitter
- ▶ Accurately convert frequency to 4-20mA or 0-10 VDC on a range of 0.00 to 9999 Hz, 65 to 300VAC Line.
- ▶ Two optional 6A FormC Relays
- ▶ Triple Isolated: Power to Inputs  
Power to Outputs  
Inputs to Outputs



0 - 9999 Hz  
at 65 - 300 VAC



- INPUT:**
- 45-55 Hz
  - 55-60 Hz
  - 55-65 Hz
  - Custom Range (0.00-9999 Hz)



- Active OUTPUT
- 4-20mA  4-20mA
- + Isolated  0-10V

SP1  Optional Relay

**6A Form C Relays**

SP2  Optional Relay

**POWER SUPPLY**

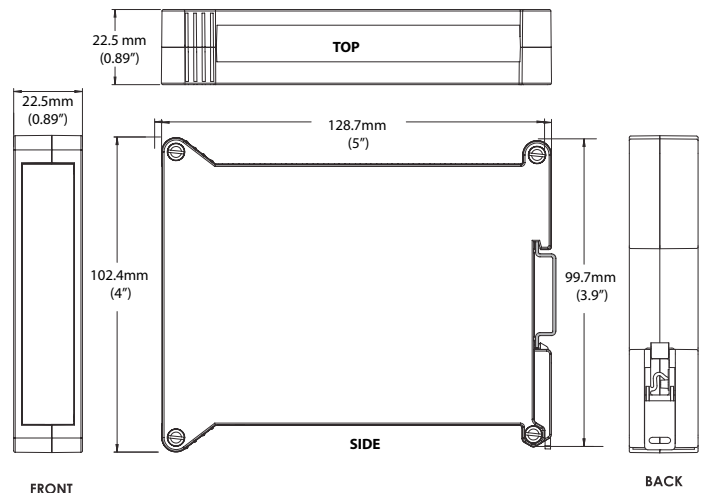
- PS2  15 to 48 VAC 3.5W  
50-400 Hz  
Fuse Not Replaceable  
10 to 72 VDC 3.5W
- PS1  85 to 265 VAC 3.5W  
50-400 Hz  
95 to 300 VDC 3.5W



Optional Remote Display Programmer  
Needed for Programming Relays

Resolution only when display is used; from .99 Hz to 1 Hz.

**CASE DIMENSIONS**



**TL-Frequency . Line Frequency**

▶ **POWER SUPPLY**

- PS1 . . . . . 85-265VAC/95-300VDC .....\$0
- PS2 . . . . . 15-48VAC/10-72VDC .....optional

▶ **RELAY OUTPUT**

- R4 . . . . . Single 9A Form C Relay .....optional
- R5 . . . . . Dual 9A Form C Relays .....optional

**Short Depth 96x48 Remote Display/Programmer Kit**  
OP-TL/RDISP . . Remote Display/Programmer  
w/Cable and Belt clip Carrying Case ..optional

