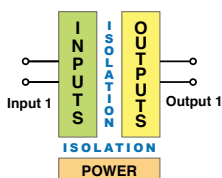




Leopard TL-ACV-RMS Transmitter / Controller

- ▶ Compact, 22.5mm, DIN Rail Mount Transmitter
- ▶ AC Volts Scaled or True RMS to 4-20mA Transmitter
- ▶ Two optional 6A FormC Relays
- ▶ Triple Isolated: Power to Inputs
Power to Outputs
Inputs to Outputs



Power to Inputs
Power to Outputs
Inputs to Outputs

INPUT:
 0-150VAC
 0-300VAC



Active **OUTPUT**
 4-20mA 4-20mA
 Isolated 0-10V

SP1 Optional Relay

6A Form C Relays

SP2 Optional Relay

POWER SUPPLY

PS2 15 to 48 VAC 3.5W
 50-400 Hz
 Fuse Not Replaceable
 10 to 72 VDC 3.5W

PS1 85 to 265 VAC 3.5W
 50-400 Hz
 95 to 300 VDC 3.5W



Optional Remote Display Programmer
 Needed for Programming Relays

CASE DIMENSIONS

TL-ACV-RMS . AC Volts Scaled RMS
 AC Volts True RMS

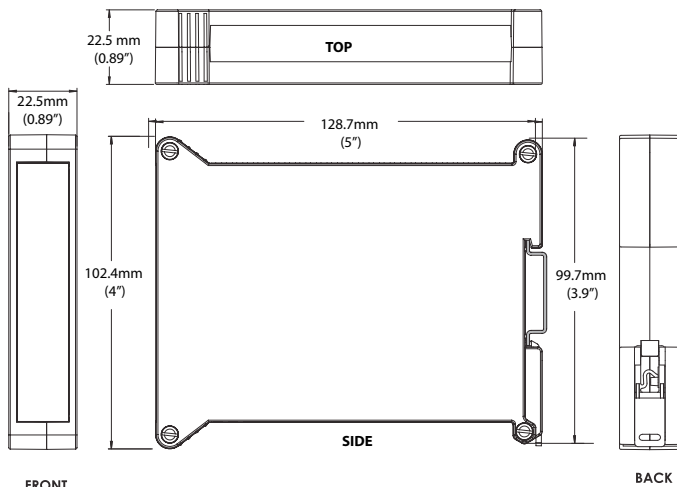
▶ **POWER SUPPLY**

PS1 85-265VAC/95-300VDC \$0
 PS2 15-48VAC/10-72VDC optional

▶ **RELAY OUTPUT**

R11 Single 6A Form C Relay optional
 R12 Dual 6A Form C Relays optional

Short Depth 96x48 Remote Display/Programmer Kit
 OP-TL/RDISP . . Remote Display/Programmer
 w/Cable and Belt clip Carrying Case . . optional



Contact:
 Industrial Process Measurement, Inc.
 3910 Park Avenue, Unit 7
 Edison, NJ 08820
 732-632-6400
 support@instrumentation2000.com
 http://www.instrumentation2000.com