

Special Features

- MODBUS (RS-485) Communication is included on Amik 201
- On site Programmable CT/PT Ratios
- User selectable CT Secondary 1A/5A
- User selectable PT Secondary from 100 VLL to 500 VLL
- Don't require PT for the voltage measurement up to 500 ACV
- Programmable Energy format & Energy rollover count
- Wide auxilliary Power Supply which can accept any input between 40V – 300V AC/DC



Amik 200/ 201 is a compact multifunction instrument which Measures important electrical parameters in 3 phase 4 Wire and 3 phase 3 Wire Network & replaces the multiple analog panel meters.

Parameter measurement and Display

Sr No	Parameter	3 Phase 4 Wire	3 Phase 3 Wire	1 Phase 2 Wire
1.	System Volts	✓	✓	✓
2.	System Current	✓	✓	✓
3.	Volts R-N (Phase Voltage for Single phase)	✓	x	✓
4.	Volts Y-N	✓	x	x
5.	Volts B-N	✓	x	x
6.	Volts R-Y	✓	✓	x
7.	Volts Y-B	✓	✓	x
8.	Volts B-R	✓	✓	x
9.	Current R (Phase Current for Single phase)	✓	✓	✓
10.	Current Y	✓	✓	x
11.	Current B	✓	✓	x
12.	Frequency	✓	✓	✓
13.	System Active Power (kW)	✓	✓	✓
14.	Active Power R (Phase Power for Single phase) (kW)	✓	x	✓
15.	Active Power Y (kW)	✓	x	x
16.	Active Power B (kW)	✓	x	x
17.	System Re-active Power (kVAr)	✓	✓	✓
18.	Re-active Power R (Phase Power for Single phase) (kVAr)	✓	x	✓

✓ - Available x - Not available

Parameter measurement and Display

Sr No	Parameter	3 Phase 4 Wire	3 Phase 3 Wire	1 Phase 2 Wire
19.	Re-active Power Y (kVAr)	✓	*	*
20.	Re-active Power B (kVAr)	✓	*	*
21.	System Apparent Power (kVA)	✓	✓	✓
22.	Apparent Power R (Phase Power for Single phase) (kVA)	✓	*	✓
23.	Apparent Power Y (kVA)	✓	*	*
24.	Apparent Power B (kVA)	✓	*	*
25.	System Phase Angle	✓	✓	✓
26.	System Power Factor	✓	✓	✓
27.	Power Factor R	✓	*	✓
28.	Power Factor Y	✓	*	*
29.	Power Factor B	✓	*	*
30.	Phase Angle R	✓	*	✓
31.	Phase Angle Y	✓	*	*
32.	Phase Angle B	✓	*	*
33.	Active Energy Import (kWh)	✓	✓	✓
34.	Active Energy Export (kWh)	✓	✓	✓
35.	Reactive Energy Import (kVArh)	✓	✓	✓
36.	Reactive Energy Export (kVArh)	✓	✓	✓
37.	Apparent Energy (kVAh)	✓	✓	✓
38.	RPM	✓	✓	✓
39.	Max (System Voltage/ System Current)	✓	✓	✓
40.	Min (System Voltage/ System Current)	✓	✓	✓
41.	Hour Run	✓	✓	✓
42.	ON Hour	✓	✓	✓
43.	Number of auxiliary interrupt	✓	✓	✓
44.	Current Demand	✓	✓	✓
45.	kVA Demand	✓	✓	✓
46.	kW Demand Import	✓	✓	✓
47.	kW Demand Export	✓	✓	✓
48.	Max Current Demand	✓	✓	✓
49.	Max kVA Demand	✓	✓	✓
50.	Max kW Demand Import	✓	✓	✓
51.	Max kW Demand Export	✓	✓	✓

✓ - Available * - Not available

Ordering Information

Product Code	Amik 200 (Without MODBUS) Amik 201 (With MODBUS)	Catalog No. A200 Catalog No. A201
System Type	3 Ph. (PR. 3W or 4W) 1 Ph.	
Input Voltage	100 TO 500VL-L	
Input Current	1/5A	
Power Supply	40 V – 300 VAC /DC	
RS 485 (For AMIK 201)	With RS 485 (Available only on Amik 201). Without RS 485 (Amik 200)	

Accessories – Three-Phase Current Transformer

A three-phase terminal style current transformer must be used with AMIK three phase meters.

The current transformer is equipped with terminals to permit easy connection to the AMIK units.

These terminals are #8-32 brass studs and come with a flatwasher, lockwasher and a regular nut (leads are not provided).



Ordering Information

Catalog Number	Current Ratio	Accuracy @ 60 Hz	Burden VA @ 60 Hz
37026	50:5	± 3%	2.0
37027	100:5	± 2%	2.0
37028	150:5	± 1%	4.0
37029	200:5	± 1%	5.0
37030	300:5	± 1%	10.0

Application

Amik 200/ 201 Measures important electrical parameters in 3 phase 4 Wire and 3 phase 3 Wire Network & replaces the multiple analog panel meters. It measures electrical parameters like AC Voltage, AC Current, Frequency, Active, Reactive, Apparent Power, Import Export Energy & many more.

Product Features

On site programmable PT/CT ratios	It is possible to program primary of external potential Transformer (PT), primary of external Current Transformer (CT) on site via front panel keys by entering into Programming mode.	Optional Pulse Output / Limit switch (Relay output)	Not Available
User selectable CT Secondary 5A /1A	The secondary of external Current Transformer (CT) can be programmed on site to either 5A or 1A using front panel keys.	Pulse Output	Not Available
User selectable PT Secondary	The secondary of external Potential Transformer (PT) can be programmed on site from 100VLL to 500VLL using front panel keys. User can set the display in auto scrolling mode or fixed screen mode using front panel keys.	Limit Switch	Not Available
Low back depth	The instrument has very low back depth (behind the panel) of less than 55 mm (Without output option).	Optional MODBUS (RS485) Output	The optional Modbus output enables the instrument to transmit all the measured parameters over standard MODBUS (RS-485).
Four function keys	Using the four function key, it is possible to go desired parameter screen instantly..	Configuration of Instrument via MODBUS	The instrument setting can be configured locally via front panel keys by entering into the programming mode or remotely via MODBUS RS-485 Note: The MODBUS communication parameters can only be set locally via front panel keys in programming mode.
Demand Measurement	Measures & Displays Current Demand, kVA Demand, kW Import Demand, kW Export Demand. Any of the parameters can be assigned to optional Limit switch.	Storage of parameters possible	The instrument stores minimum and maximum values for System Voltage, System Current, Run Hour, ON Hour & number of Interrupts. Every 60 sec stored values are updated.
3 line 4 digits LED display	Simultaneous display of 3 Parameters.	Enclosure Protection for dust and water	Conforms to IP 50 (for front face) & IP 20 (for back) IEC60529.
RPM Measurement	The instrument display Rotation per minutes for generator applications. Number of poles can be set on site depending upon application requirement.	EMC Compatibility	Compliance to International standard IEC 61326.
Energy Count Storage	In case of power failure, the instrument memorizes the last energy count. Every 1 min, the instrument updates the energy counter in the non-volatile memory.	Interference Emission	IEC 61326-1 : 2005, Class A
User selectable 3 phase 3 Wire or 4Wire or Single phase Network	User can program on site the network connection as either 3 Phase 3 Wire or 4 Wire or single phase network using front panel keys. In case of self powered configuration either 3 Phase 4 wire or single phase network is available.	Interference Immunity	IEC 61326-1 : 2005
Onsite selection of Auto scroll / Fixed Screen	User can set the display in auto scrolling mode or fixed screen mode using front panel keys.	Electrostatic discharge contact /air. (ESD)	IEC 61000-4-2 -- 4kV/8kV
		EM Field	IEC 61000-4-3 -- 10 V/m (80 MHz to 1 GHz) - 3 V/m (1.4 GHz to 2 GHz) -- 1 V/m (2 GHz to 2.7 GHz)

Product Features

True RMS measurement	The instrument measures distorted wave form up to 15th Harmonic.
Energy Measurement (Import & Export)	Active Energy (kWh), Reactive Energy (kVARh), Apparent Energy (kVAh). Any of the parameters can be assigned to optional Pulse output.
Programmable Energy format & Energy rollover count	Customer can assign the format for energy display on MODBUS (RS-485) in terms of W, kW or MW. Additional to this, customer can also set a rollover count from 7 to 14 digits depending on the energy format, after which the energy will roll back to zero.

Burst	IEC 61000-4-4 -- 2 kV (5/50 ns, 5 kHz)
Surge	IEC 61000-4-5 -- 1 kVLL / 2 kVLN.
Conducted RF	IEC 61000-4-5 -- 3 V (150 kHz to 80 MHz)
Rated Power Frequency magnetic Field	IEC 61000-4-8 -- 30 A/m
Voltage dip	IEC 61000-4-11 -- 0% during 1 cycle. -- 40% during 10/12 cycles. -- 70% during 25/30 cycles.
Short interruptions cycles.	IEC 61000-4-11 -- 0% during 25/30 cycles. 25 cycles for 50 Hz test. 30 cycles for 60 Hz test.

Technical Specifications

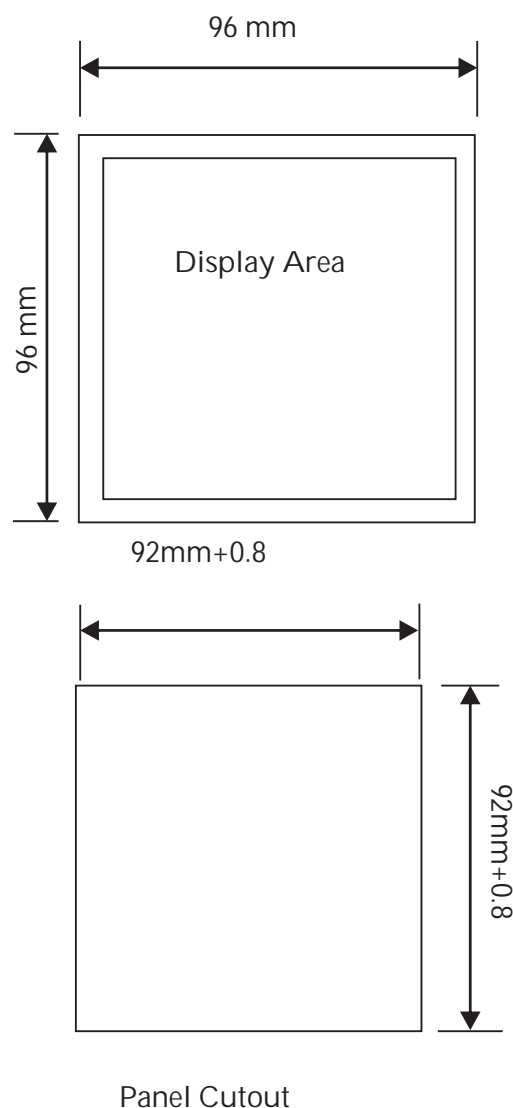
Reference conditions for Accuracy	
Reference temperature	23°C +/- 2°C
Input waveform	Sinusoidal (distortion factor 0.005)
Input frequency	50 or 60 Hz ±2%
Auxiliary supply voltage	Rated Value ±1%
Auxiliary supply frequency	Rated Value ±1%
Voltage Range	20... 100% of Nominal Value.
Current Range	10... 100% of Nominal Value.
Power	Cos phi / sin phi = 1 for Active / Reactive Power & Energy. 10... 100% of Nominal Current & 20... 100% of Nominal Voltage.
Power Factor / Phase Angle	40... 100% of Nominal Current & 20... 100% of Nominal Voltage.

Accuracy	
Voltage	± 1% of Nominal Value.
Current	± 1% of Nominal Value.
Frequency	0.5% of mid frequency
Active Power	± 1% of Nominal Value.
Re-Active Power	± 1% of Nominal Value.
Apparent Power	± 1% of Nominal Value.
Active Energy	± 1%
Reactive Energy	± 1%
Apparent Energy	± 1%
Power Factor	2% of Unity
Phase angle	2% of range

Measurement error is normally much less than error specified above. Variation due to influence quantity is less than twice the error allowed for reference condition.

Dimension Details

With optional MODBUS / Limit switch



Technical Specifications

Input Voltage

Nominal input voltage (AC RMS)	Phase –Neutral 290V L-N , Line-Line 500V L-L
Max continuous input voltage	120% of rated value
Nominal input voltage burden	< 0.3 VA approx. per phase (For external auxiliary meter)
System PT secondary values	100VLL to 500VLL programmable on site.
System PT primary values	100VLL to 692kVLL programmable on site.

Input Current

Nominal input current	5A / 1A AC RMS
System CT secondary values	1A & 5A programmable on site
System CT primary values	From 1A up to 9999A (for 1 or 5 Amp)
Max continuous input current	120% of rated value
Nominal input current burden	< 0.2 VA approx. per phase

Auxiliary Supply

External Aux	40 V – 300V AC-DC (± 5 %)
Self powered **	input voltage range from 80% to 100% of Rated value. (Self powered meter is available only in 3Phase 4 Wire and Single Phase network.) Auxiliary input is derived from Phase 1 (R phase)
Frequency range	45 to 65 Hz
VA burden	< 4 VA Approx.

Overload Withstand

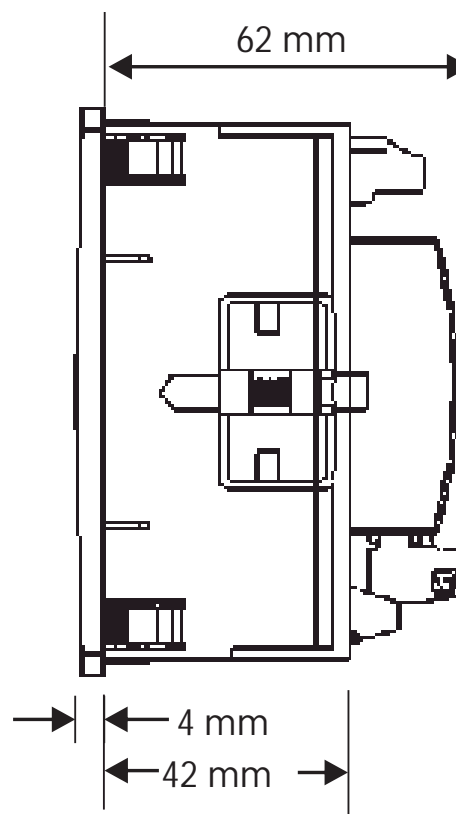
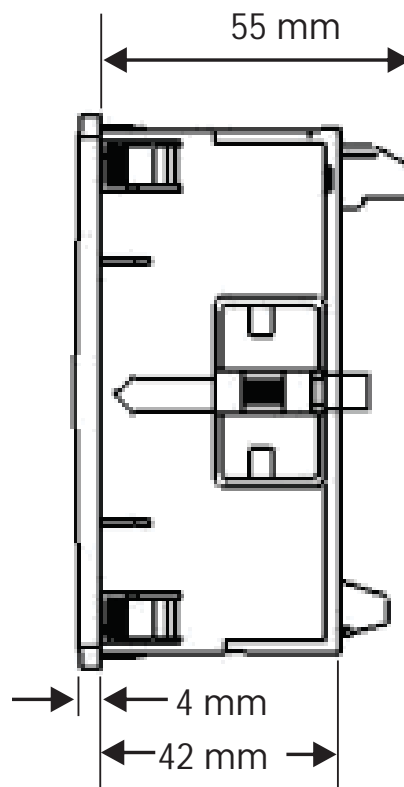
Voltage	2 x rated value for 1 second, repeated 10 times at 10 second intervals
Current	20x rated value for 1 second, repeated 5 times at 5 min intervals

Operating Measuring Ranges

Voltage Range With External Aux	10... 120% of rated value
Voltage Range With Self Power	80... 120% of rated value
Current Range	10 ... 120% of rated value
Frequency	45...65 Hz.
Power Factor	0.5 Lead ... 1 ... 0.5 Lag.

Dimension Details

With optional MODBUS / Limit switch



** Not Available

Technical Specifications

Influence of Variations

Temperature coefficient	0.025%/°C for Voltage 0.05%/°C for Current
-------------------------	---

Display update rate

Response time to step input	1 sec approx.
-----------------------------	---------------

Applicable Standards

EMC	IEC 61326-1: 2005
Safety	IEC 61010-1-2001 , Permanently connected use
IP for water & dust	IEC60529

Safety

Pollution degree	2
Installation category	III
High Voltage Test	4.7 kV DC, for 1 minute between Aux. and measuring inputs

Environmental

Operating temperature	-20 to +70°C
Storage temperature	-30 to +80°C
Relative humidity	0 to 95% non condensing
Warm up time	Minimum 3 minute
Shock	15g in 3 planes
Vibration	10... 55 Hz, 0.15mm amplitude

Enclosure

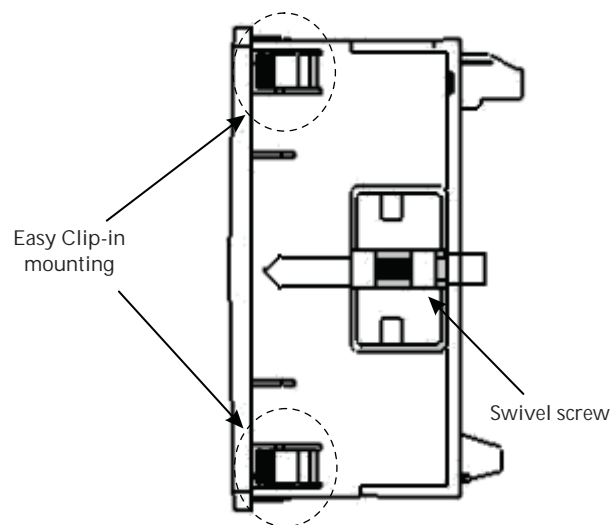
Front	IP 50
Back	IP 20

Dimensions and Weights

Bezel size	96 mm x 96 mm DIN 43 718.
Panel cut-out	92 +0.8 mm x 92 + 0.8 mm.
Overall depth	55 mm.(without output option)
Panel Thickness	1 - 3 mm for self clicking, 1 – 6 mm for swivel screws.
Weight	320 gm. Approx.(with output option)

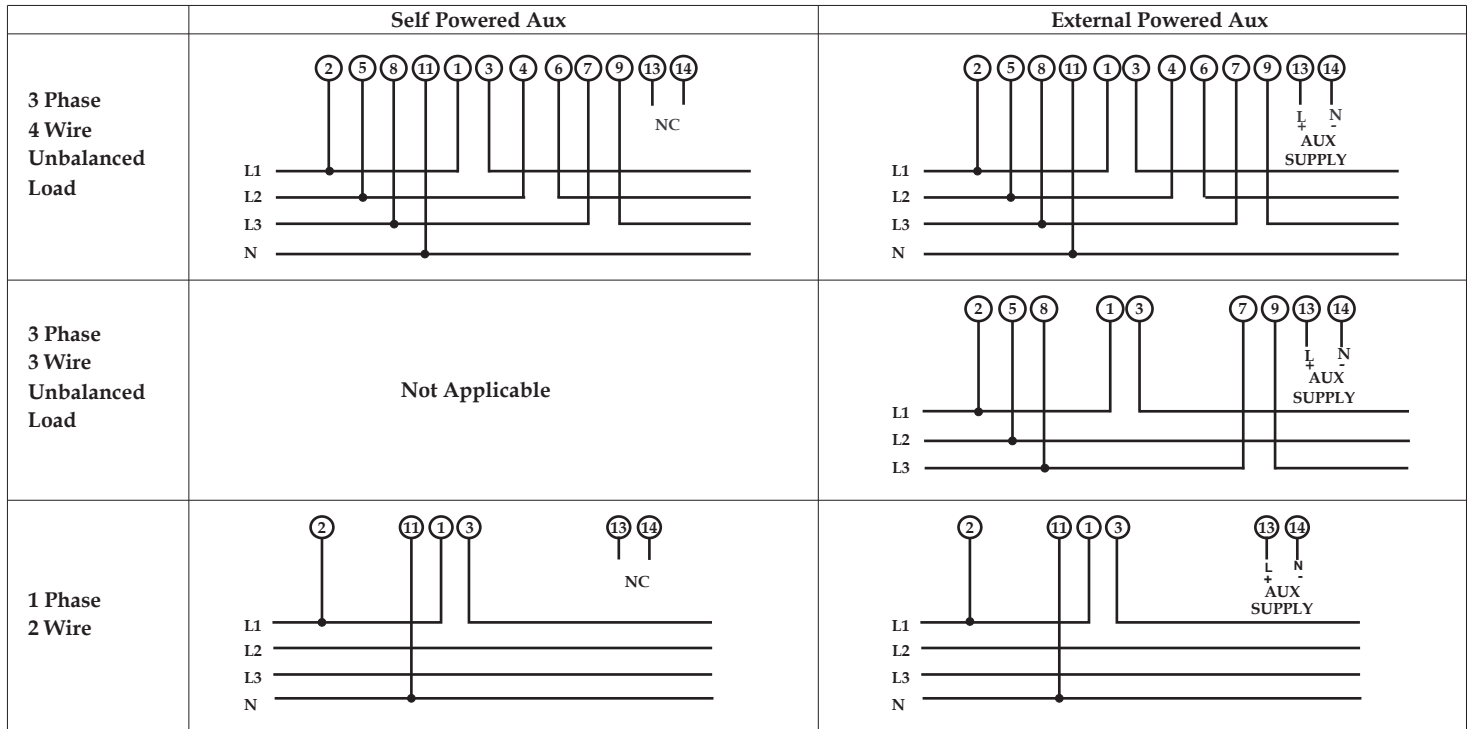
Installation

Easy Clip in Installation on Panel.



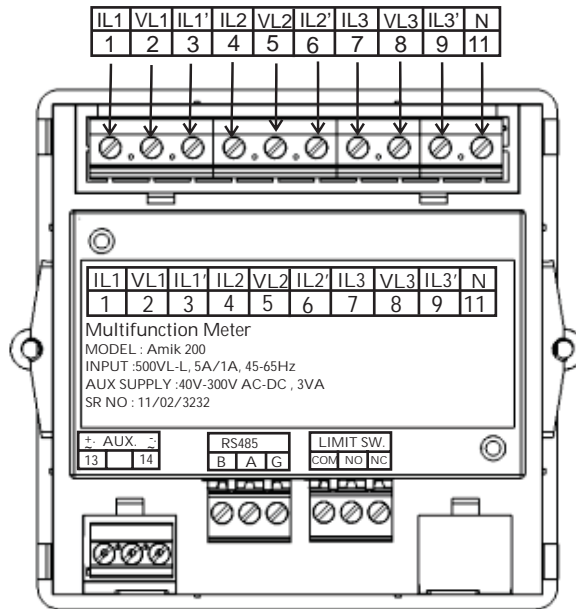
Panel Thickness : 1 - 3 mm for self clicking,
1 – 6 mm for swivel screws.

Electrical Connections



*Note: For Measurement of parameters, Voltage must be present between terminal 2 & 11 for single phase or 3 phase 4 wire network and between terminal 2 & 5 or 2 & 8 for 3 phase 3 wire network.

Rear Connection



Contact:
 Industrial Process Measurement, Inc.
 3910 Park Avenue, Unit 7
 Edison, NJ 08820
 732-632-6400
 support@instrumentation2000.com
<http://www.instrumentation2000.com>