

Model 267

Very Low Differential Pressure Transducer



Setra's Model 267 is the most rugged high accuracy, low differential pressure transducer on the market. It delivers accuracies of $\pm 0.25\%$, 0.4%, 0.5% and $\pm 1\%$ FS and pressure ranges from 0.1" W.C. up to 100" W.C. The 267 is housed in a robust, NEMA 4 rated enclosure and has an optional static pressure probe reducing installation and material costs. The 267 is offered with an optional LCD display and a standard accuracy of $\pm 0.5\%$ making it ideal for high accuracy Pharmaceutical applications.

Customization is Standard

The 267, unlike most competitors, offers many mechanical and electrical options that can be integrated into existing designs. The optional 0.25" diameter pressure probe is made of sturdy extruded aluminum and is designed with baffles to prevent velocity pressure errors which saves money and reduces time on the job site.

Robust Enclosure for Difficult Applications

The 267 is housed in a NEMA 4 rated housing and is built to withstand harsh environments. The 267 is available in both wall and duct mount providing the installer with flexible mounting options. The wall mount allows the sensor to be installed anywhere, whereas the duct probe configuration is designed to maximize space efficiency in difficult applications.

The Setra Sensor

The core technology of the 267 is the all stainless steel capacitive sensing element. Setra designs and manufactures all of their sensing elements resulting in full control over the process and quality of every single sensor. The welded dead-ended capacitive sensors requires minimal amplification and delivers excellent accuracy and longterm stability. Setra's technology has been used in over 8 million installations and has the highest field acceptance rate in the industry.

- **$\pm 0.25\%$, 0.4%, 0.5%, 1% FS Accuracy**
- **Suitable for Harsh Environments**
- **Optional LCD Display**

Model 267 Features:

- 0.1" W.C. up to 100" W.C. Pressure Ranges
- Optional 3.5 Digit LCD Display w/ 0.5% FS Accuracy
- NEMA 4 Rated Housing
- PG-9, PG-13 or Conduit Electrical Termination
- Integral Static Pressure Probe
- 24 VAC or 24 VDC Excitation
- Meets CE Conformance Standards

Applications:

- HVAC Systems
- Energy Management Systems
- Static Duct Pressure
- Cleanroom Pressure
- Oven Pressurization & Furnace Draft Controls

Model 267

Very Low Differential Pressure Transducer

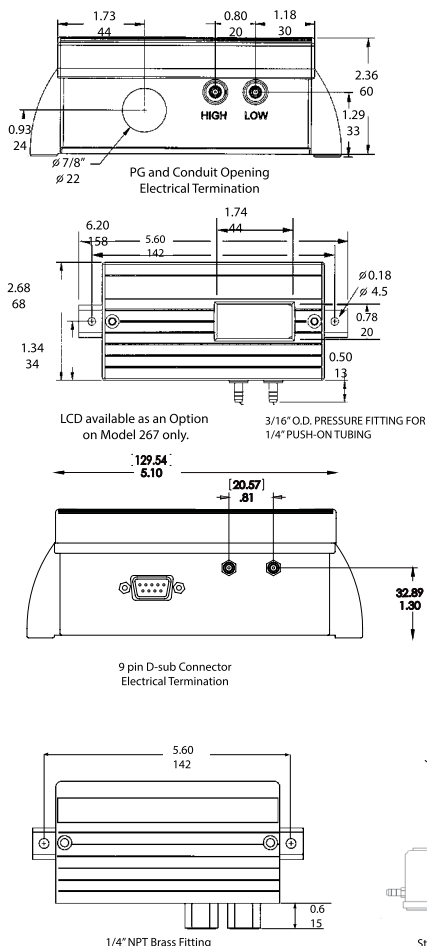


ORDERING INFORMATION

2	6	7	1	-								
Model	Range				Output		Pressure Fitting/Elec. Termination		Accuracy (Full Scale)			
2671 = 267	Unidirectional	Bidirectional	Unidirectional	Bidirectional	11	4-20 mA	3/16" Barbed Brass Fitting		CN	±1% FS with no LCD Display		
	OR1WD 0 to 0.1"W.C.	OR1WB ±0.1"W.C.	025LD 0 to 25 Pa	025LB ±25 Pa	2D	0-5 VDC	G1	PG-13.5 Strain Relief	EN	±0.4% FS* with no LCD Display		
	R25WD 0 to 0.25"W.C.	R25WB ±0.25"W.C.	050LD 0 to 50 Pa	050LB ±50 Pa	2E	0-10 VDC	G2	PG9 Strain Relief	FN	±0.25% FS* with no LCD Display		
	0R5WD 0 to 0.5"W.C.	0R5WB ±0.5"W.C.	100LD 0 to 100 Pa	100LB ±100 Pa			D9 ¹	9 pin D-Sub Conn.	GN	±1% FS* with no LCD Display		
	001WD 0 to 1"W.C.	001WB ±1.0"W.C.	250LD 0 to 250 Pa	250LB ±250 Pa			A1	1/2" Conduit Opening	HD	±0.5% FS* with LDC Display		
	1R5WD 0 to 1.5"W.C.	1R5WB ±1.5"W.C.	500LD 0 to 500 Pa	500LB ±500 Pa			1/4"NPTF Brass Fitting		ED	±0.4% FS* with LDC Display		
	2R5WD 0 to 2.5"W.C.	2R5WB ±2.5"W.C.	10CLD 0 to 1000 Pa	10CLB ±1000 Pa			1K	PG-9 Strain Relief	FD	±0.25% FS* with LDC Display		
	005WD 0 to 5.0"W.C.	005WB ±5.0"W.C.	25CLD 0 to 2500 Pa	25CLB ±2500 Pa			2K	PG-13.5 Strain Relief		*includes Cal Cert.		
	010WD 0 to 10"W.C.	010WB ±10"W.C.	40CLD 0 to 4000 Pa	40CLB ±4000 Pa			9K	9 Pin D-Sub Conn.				
	025WD 0 to 25"W.C.	025WB ±25"W.C.	70CLD 0 to 7000 Pa	70CLB ±7000 Pa			AK	1/2" Conduit Opening				
	050WD 0 to 50"W.C.	050WB ±50"W.C.					Static Duct Probe					
	100WD 0 to 100"W.C.	100WB ±100"W.C.					1P	PG-9 Strain Relief				
							2P	PG-13.5 Strain Relief				
							9P	9 Pin D-Sub Conn..				
							AP	1/2" Conduit Opening				

Ordering Example: Part No. 2671R25WD11G2CN for a 0 to .25 in. WC Unidirectional Range, 4-20 mA Output, 3/16" Barbed Brass Fitting, PG-9 Electrical Termination, 1% Accuracy with LCD Display

DIMENSIONS



GENERAL SPECIFICATIONS

Performance Data		Physical Description	
	Standard	Optional	
Accuracy RSS ¹ (at constant temp)	±1.0% FS	±0.4% FS	±0.25% FS
Non-Linearity, BFSL	±0.98% FS	±0.38% FS	±0.22% FS
Hysteresis	±0.10% FS	±0.10% FS	±0.10% FS
Non-Repeatability	±0.05% FS	±0.05% FS	±0.05% FS
Position Effect: Consult factory		Case	
		IP65/NEMA 4 Plastic Glass-Filled Polycarbonate UL94V-0 Case	
		Electrical Connection	
		Screw Terminal Strip Inside of Case	
		Electrical Terminations	
		PG-9/PG13.5 Strain Relief, 1/2" Conduit Opening, or 9 Pin D-Sub Connector*	
		Zero and Span Adjustments	
		Accessible Inside of Case	
		Weight (approx.)	
		9.0 Ounces (255 grams) 9.5 Ounces (Duct Probe Assembly)	
		Electrical Data (Current)	
		Circuit	
		2-Wire, Protected from Miswiring	
		Output ²	
		4 to 20 mA ⁴	
		Bidirectional Output at Zero	
		12 mA	
		Min. Loop Supply Voltage (VDC)	
		9 + 0.02 x (Resistance of Receiver plus line)	
		Max. Loop Supply Voltage (VDC)	
		30 + 0.004 x (Resistance of Receiver plus line)	
		Electrical Data (Voltage)	
		Circuit	
		3-Wire (Exc, Gnd, Sig), Protected from Miswiring	
		Excitation (for 0-5 VDC Output)	
		9 to 30 VAC / 12 to 40 VDC	
		Excitation (for 0-10 VDC Output)	
		11 to 30 VAC / 13 to 40 VDC	
		Output ³	
		0 to 5 VDC ⁵ / 0 to 10 VDC ⁵	

¹ RSS of Non-Linearity, Hysteresis, and Non-Repeatability.
² Units calibrated at nominal 70°F. Maximum thermal error computed from this datum.
³ Calibrated into a 50K ohm load, operable into a 5000 ohm load or greater.
⁴ Zero output factory set to within ±0.16 mA (±0.08 mA for optional accuracies). Span (Full Scale) output factory set to within ±0.16 mA (±0.08 mA for optional accuracy).
⁵ Zero output factory set to within ±50mV (±25 mV for optional accuracies). Span (Full Scale) output factory set to within ±50mV (±25 mV for optional accuracies)
⁶ Operating temperature limits of the electronics only. Pressure media temperatures may be considerably higher.
⁷ Calibrated at factory with a 24 VDC loop supply voltage and a 250 ohm load.