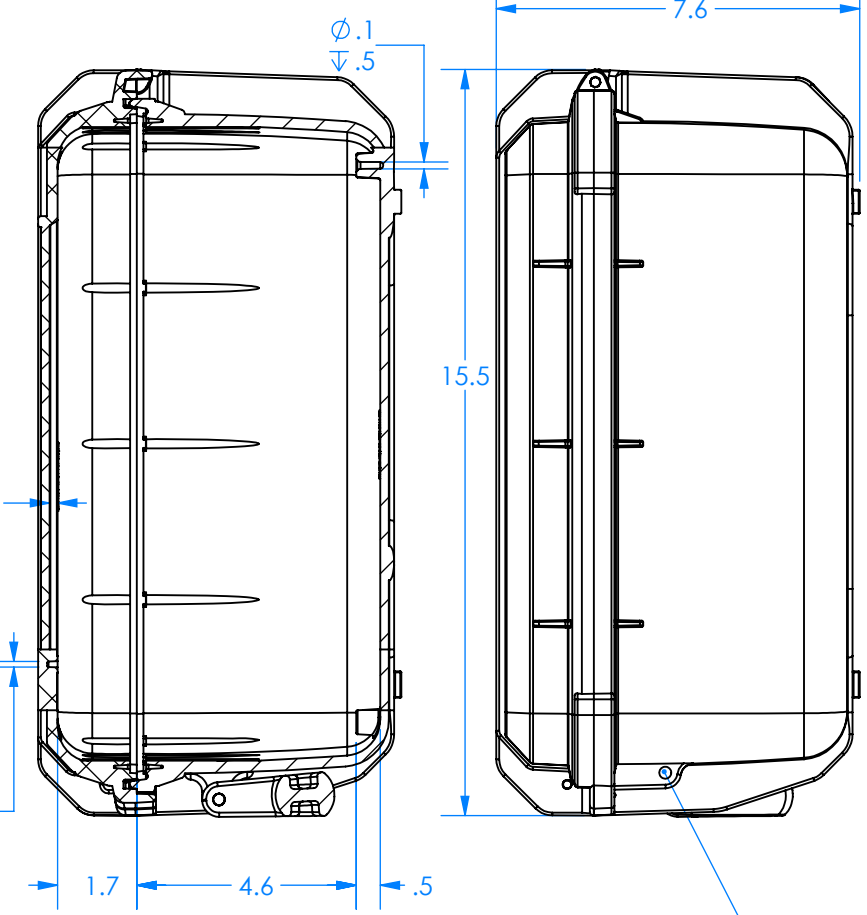
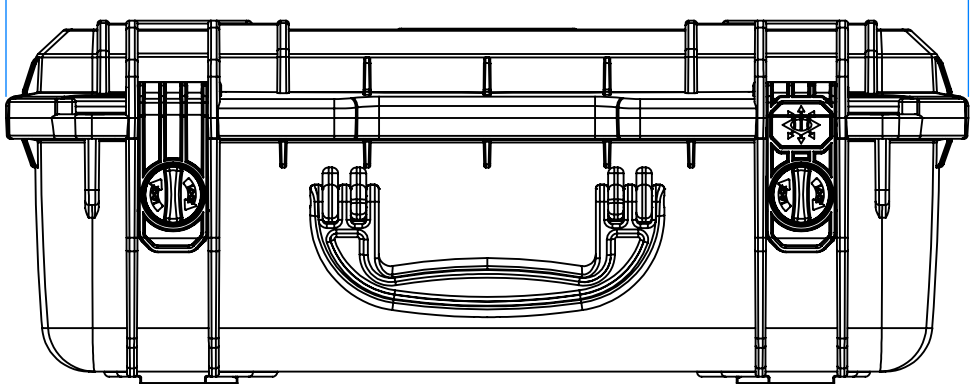


SECTION A-A



Holes for shoulder strap.
PN 8704 (not included)

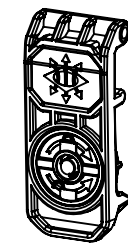
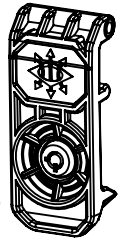


latch with metal lock

latch with plastic lock

MLL

PLL



Optional latches may be specified at time of order. See note 2

NOTES:

- 1) Max. usable inside dimensions are:
18 5/16" X 13 3/16" X 6 1/4"
(6 5/8" bottom of boss) (18.3" X 13.2" X 6.7")
- 2) Case part numbers with Optional Latches:
Metal Lock Latches p/n 720ML
Plastic Lock Latches p/n 720PL

6/5/18

2009 Wright Ave. La Verne, CA 91750
Ph. (626) 339-6673 Fx. (626) 331-8584 www.seahorse.com