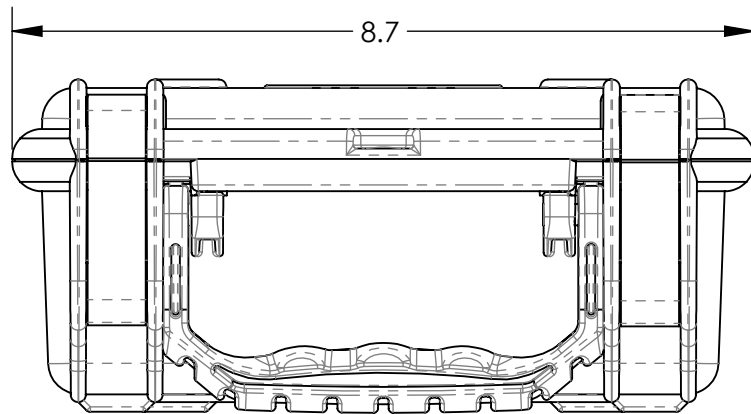
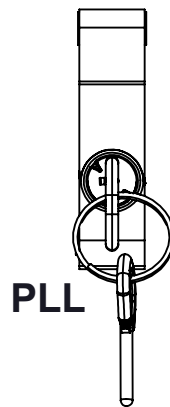


SECTION A-A

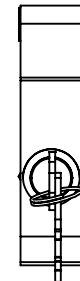


Latch with Plastic Lock



PLL

Latch with Metal Lock



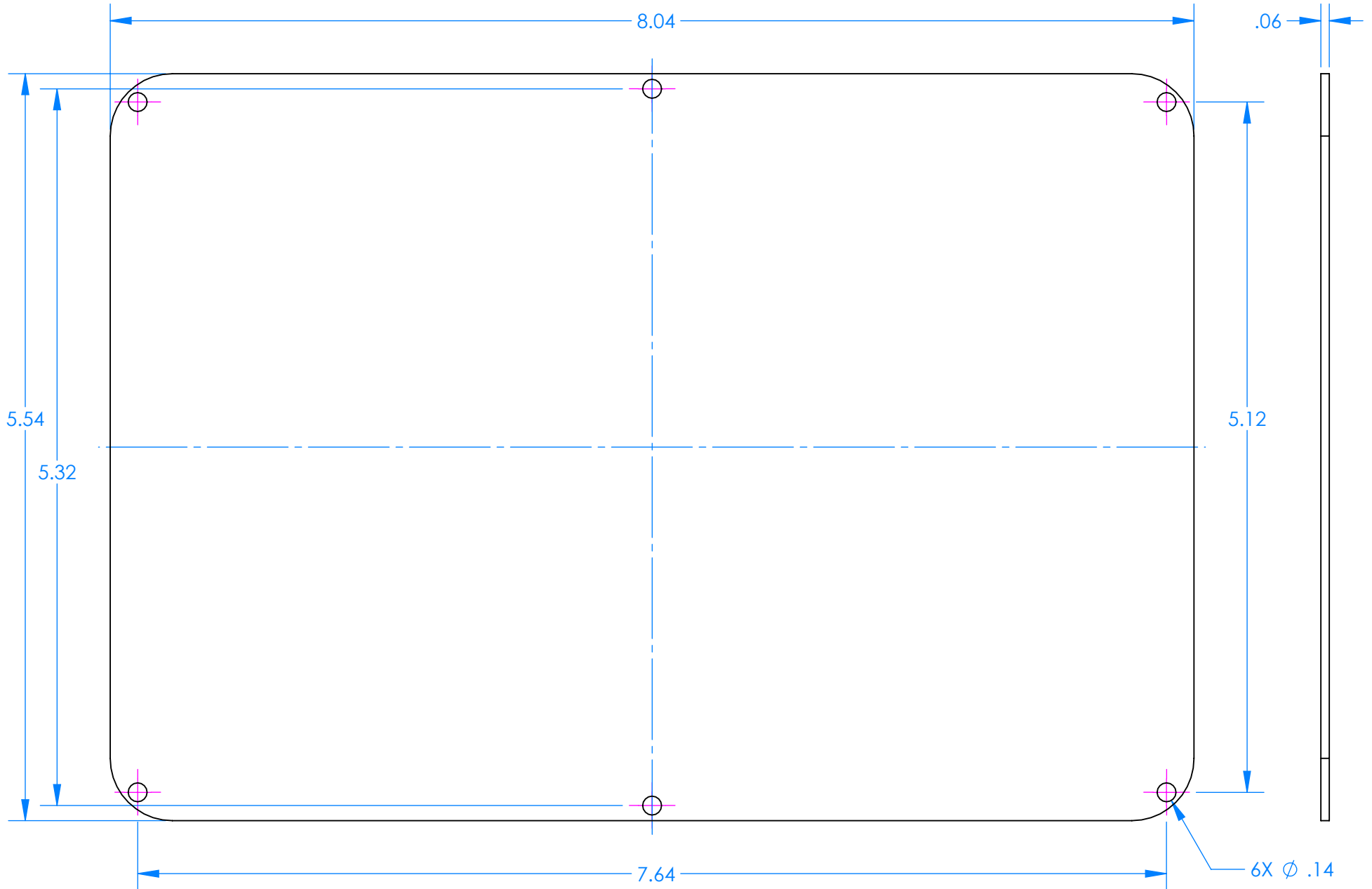
MLL

Optional latches must be specified at time of order. See note 2

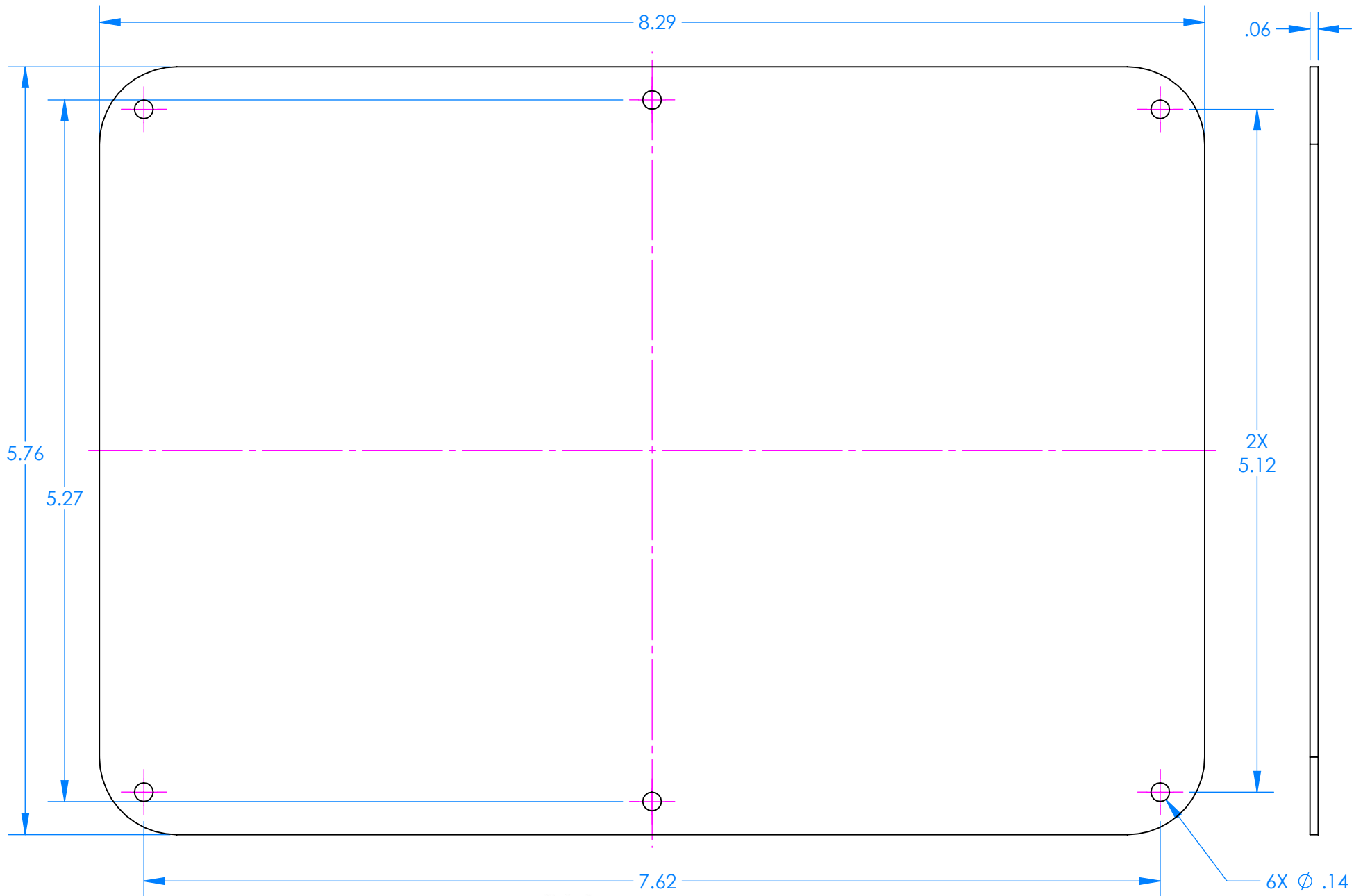
NOTES:

- 1) Max. usable inside dimensions are:
7.50" X 5.00" X 3.23"
- 2) With Metal Lock Latches p/n SE120ML and Plastic Lock Latches p/n SE120PL are optional.

7151 Top Panel for 120



7152 Bottom Panel for 120



Contact:
Industrial Process Measurement, Inc.
3910 Park Avenue, Unit 7
Edison, NJ 08820
732-632-6400
support@instrumentation2000.com
<http://www.instrumentation2000.com>