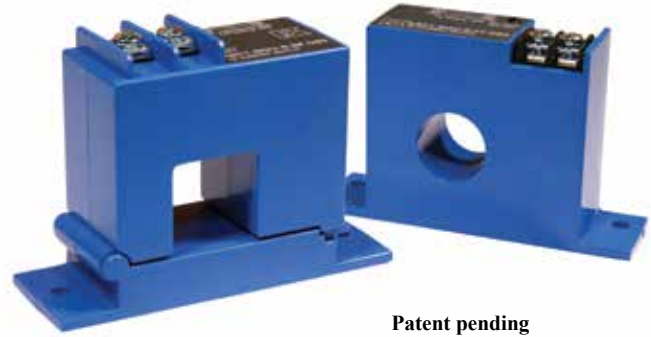


ASC SERIES

Factory-calibrated Current Operated Switches

ASC Series Current Operated Switches are precision calibrated at the factory per customers' specifications and guaranteed within 1% accuracy. Because the switch is factory calibrated eliminating the need to turn the potentiometer to the correct position in the field, installation time is substantially reduced resulting in a significant cost savings. The ASC combines a current transformer, signal conditioner and limit alarm into a single package for use in status monitoring or proof of operation applications and is perfect for OEM applications where the need for a limit alarm is required. Available in a solid-core enclosure or in a split-core enclosure to maximize ease of installation.



Patent pending

Current Sensing Switch Applications

Electronic Proof of Flow

- Current operated switches eliminate the need for multiple pipe or duct penetrations and are more reliable than electromechanical pressure or flow switches.

Conveyors

- Detects jams and overloads.
- Interlocks multiple conveyor sections.

Lighting Circuits

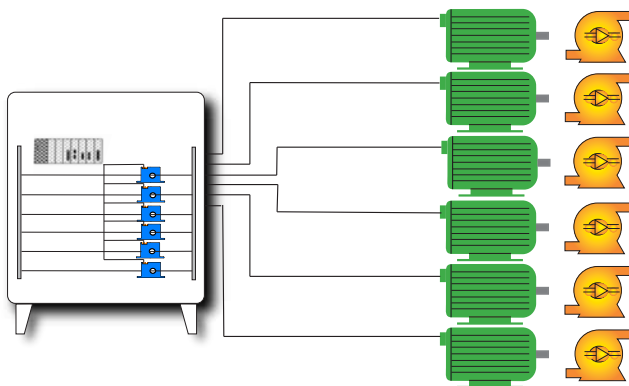
- Easier to install and more accurate than photocells.

Electrical Heaters

- Faster response than temperature sensors.

Air Handling Fan Protection

Factory-set trip points are ideal when there are several loads, all using the same motor to drive the fan blades.



Current Sensing Switch Features

Universal Output

- N.O. or N.C. solid-state switch for control circuits up to 135 VAC/DC.
- Compatible with most automation systems.

Self-powered

- Cuts installation and operating costs.

Precision-Calibrated Factory Set Trip Point

- Speeds startup.
- Improves safety.

Solid- or Split-core Case

- Versions tailored for each installation.

LED Indication

- Provides quick visual indication of contact status.

Built-in Mounting Feet

- Simple, two-screw panel mount or attach with optional DIN rail brackets.

Designed to Meet UL, CUL and CE Approval

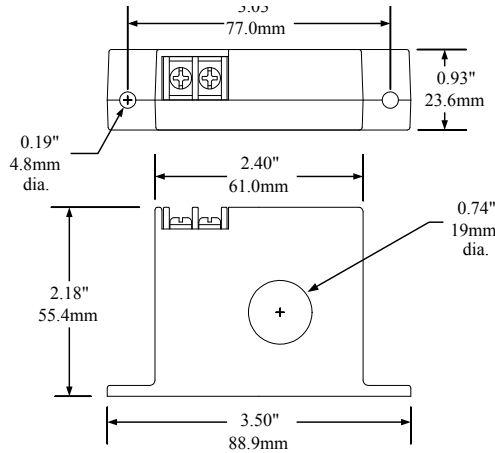
- Accepted worldwide.



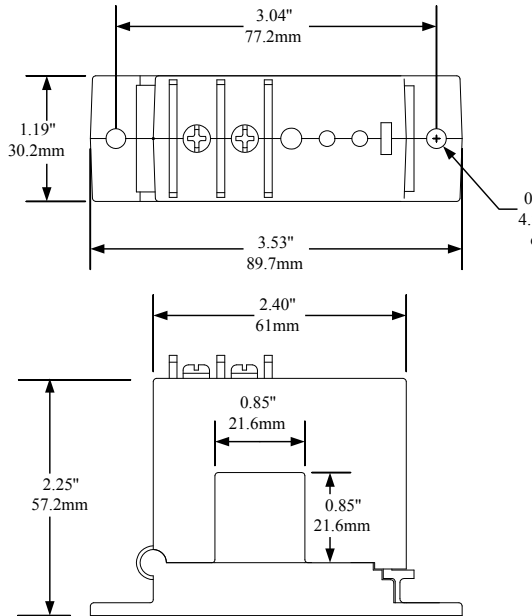
Free program expedites evaluation process.
See page 1 for details.

Current Sensing Switch Dimensions

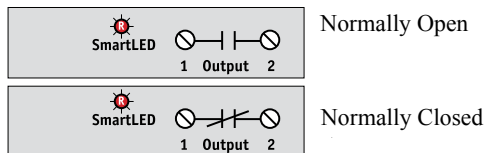
FT Case



SP Case



Current Sensing Switch Connections



Current Sensing Switch Specifications

Power Supply	None — Self-powered		
Output	Magnetically Isolated Solid-State Switch		
Output Rating	<ul style="list-style-type: none"> • N.O. Version: 0.3 A @ 135 VAC or VDC • N.C. Version: 0.3 A @ 135 VAC or VDC • Not polarity sensitive 		
Off-State Leakage	<10 μ A		
Accuracy	1%		
Response Time	120 ms		
Setpoint Range	<ul style="list-style-type: none"> • Solid-core: 2–150 A (factory set) • Split-core: 3–150 A (factory set) 		
Hysteresis	5% of Setpoint		
Overload	MODEL	6 SEC	1 SEC
	• All	• 400 A	• 1000 A
Isolation Voltage	Tested to 5000 VAC		
Sensing Aperture	<ul style="list-style-type: none"> • -FT Case: 0.74" (19 mm) dia. • -SP Case: 0.85" (21.6 mm) sq. 		
Case	UL94 V0 Flammability Rated		
Environmental	-4 to 122°F (-20 to 50°C) 0–95% RH, non-condensing		
Listings	Designed to meet UL 508 Industrial Control Equipment (USA & Canada)		

Ordering Information

Sample Model Number: ASC-NOU-6-SP-090
 Factory set AC current operated switch, normally open, 60 Hz frequency, split-core, 90 A trip point.



(1) Output Rating

NOU	Normally Open
NCU	Normally Closed

(2) Primary Circuit Frequency

6	60 Hz
5	50 Hz

(3) Case Style

FT	Solid-core, Top Term.
SP	Split-core

(3) Factory Set Trip Point

002 to 150	Solid-core Model Factory Set Trip Point in Amps.
003 to 150	Split-core Model Factory Set Trip Point in Amps.

Contact:
 Industrial Process Measurement, Inc.
 3910 Park Avenue, Unit 7
 Edison, NJ 08820
 732-632-6400
 support@instrumentation2000.com
 http://www.instrumentation2000.com

