

# Pneumatic hand test pump

## Model CPP7-H

WIKA data sheet CT 91.02

### Applications

- Simple test pressure generation on site, in the laboratory or in the workshop
- Supply of small positive or negative pressures
- Specifically for the testing, adjustment and calibration of low-pressure measuring instruments in the areas of: heating, ventilation and air conditioning, clean room engineering, medical engineering and filtration and dust removal technology

### Special features

- Switchable pressure/vacuum generation
- Precise setting through the fine adjustment valve
- Simple and ergonomic handling
- Compact dimensions
- Low weight

### Description

#### Application areas

Hand test pumps serve as pressure generators for the testing, adjustment and calibration of mechanical and electronic pressure measuring instruments through comparative measurements. These pressure tests can take place in the laboratory or workshop, or on site at the measuring point.

#### Easy operation

If one connects the test item and a sufficiently accurate reference measuring instrument to the hand test pump, on actuating the pump, the same pressure will act on both measuring instruments. By comparison of the two measured values at any given pressure value, a check of the accuracy and/or adjustment of the pressure measuring instrument under test can be carried out. In order to approach the measuring points exactly, the hand test pump features a fine adjustment valve.



Pneumatic hand test pump model CPP7-H

#### Easy handling

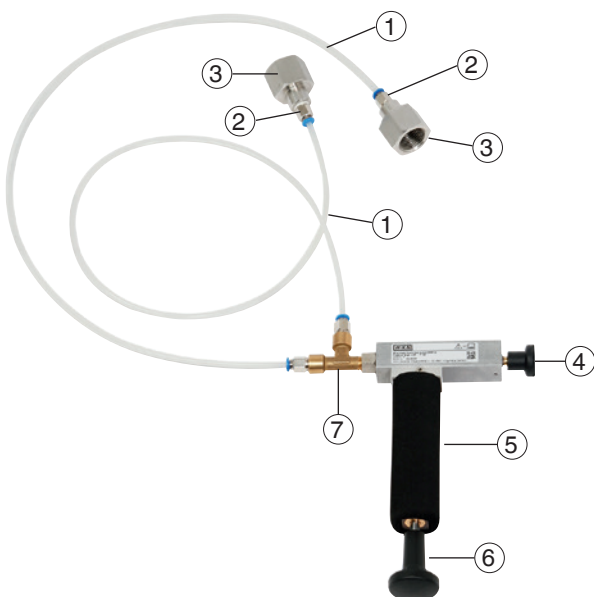
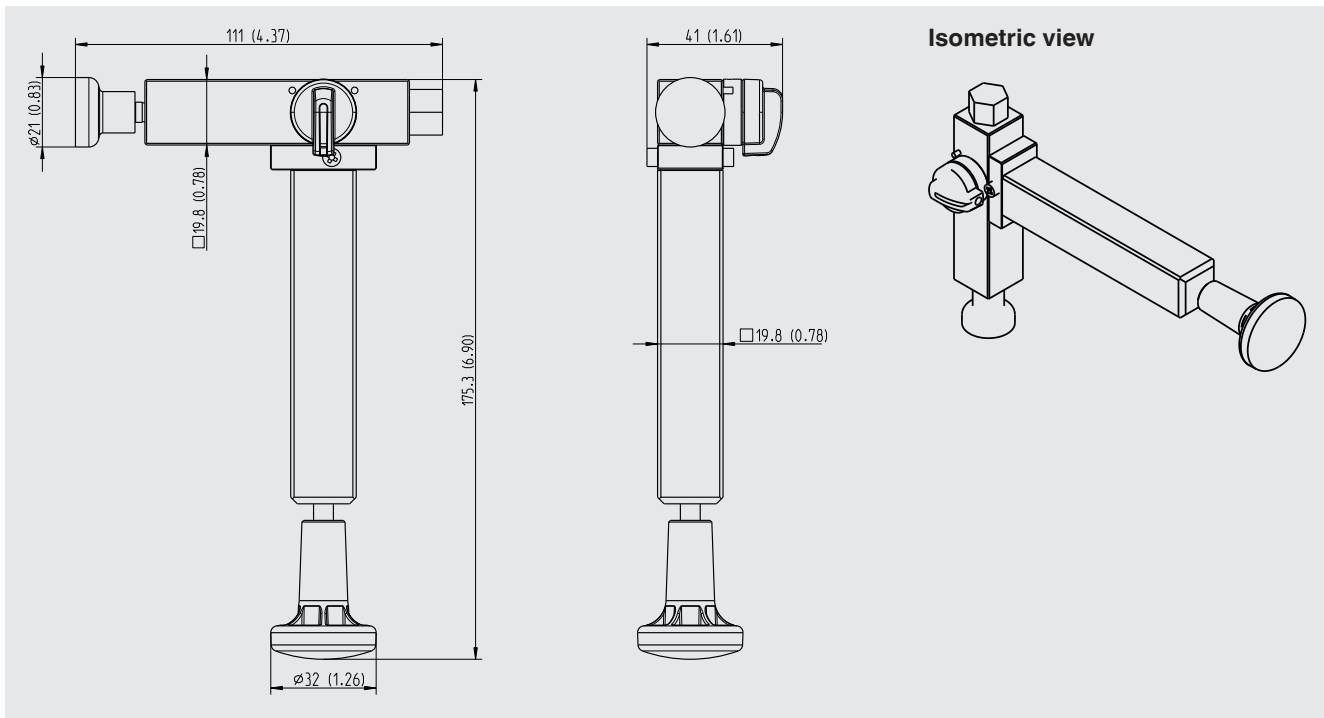
The CPP7-H is a pneumatic hand test pump for low-pressure ranges up to 7 bar (101.5 psi), with switching to vacuum generation down to -800 mbar (-11.6 psi). The maximum pressure or vacuum achievable is dependent upon the connected test volume.

Through the smooth pressure generation and the integrated fine adjustment valve, very small positive or negative pressures in the mbar range can be set safely and precisely.

Via a T-connector with a hose connection, the test item and the reference measuring instrument can be easily connected.

Specifications	Model CPP7-H
Pressure range	-0.8 ... +7 bar (-11.6 ... 101.5 psi)
Pressure transmission medium	Air
Pressure connections	1 connection with G 1/8 female thread to the pump body, prepared for connection to a T-connector with 2 hoses and freely selectable connections to test item
Fine adjustment	Fine adjustment valve
Dimensions (L x W x H)	175.3 x 111 x 41 mm (6.90 x 4.37 x 1.61 in) without T-connector 175.3 x 144 x 41 mm (6.90 x 5.67 x 1.61 in) with T-connector
Weight	293 g (0.65 lbs) without T-connector 334 g (0.74 lbs) with T-connector

## Dimensions in mm (in)



- ① Connecting hose; length 0.5 m (1.64 ft)
- ② Hose connection adapter G 1/8 male to 3 mm quick connector
- ③ Pressure connections for reference measuring instrument and test item can be freely selected (optionally G 1/8 female to G 1/2 female, G 1/4, 1/2 NPT or 1/4 NPT)
- ④ Fine adjustment valve
- ⑤ Pump handle
- ⑥ Ram
- ⑦ T-connector, 2 x G 1/8 female to G 1/8 male

## Recommended reference pressure measuring instruments

### Precision digital pressure gauge model CPG1500

**Measuring ranges:** up to 1,000 bar (15,000 psi)

**Accuracy:** 0.05 % of span

For further specifications see data sheet CT 10.51



### Hand-held pressure indicator model CPH6200

**Measuring ranges:** up to 1,000 bar (14,500 psi)

**Accuracy:** 0.2 % of span

For further specifications see data sheet CT 11.01



### Hand-held pressure indicator model CPH6300

**Measuring ranges:** up to 1,000 bar (14,500 psi)

**Accuracy:** 0.2 % of span

For further specifications see data sheet CT 12.01



### Precision hand-held pressure indicator model CPH6400

**Measuring ranges:** up to 6,000 bar (85,000 psi)

**Accuracy:** up to 0.025 % of span

For further specifications see data sheet CT 14.01



### ProcessCalibrator model CPH6000

**Measuring ranges:** up to 8,000 bar (115,000 psi)

**Accuracy:** up to 0.025 % of span

For further specifications see data sheet CT 15.01



## Calibration software

WIKA-CAL calibration software for creating calibration certificates or logger protocols

For specifications see data sheet CT 95.10



## Calibration case

### Consisting of:

- Plastic service case with foam insert
- Pneumatic hand test pump model CPP7-H
- Standard accessories see scope of delivery

## Scope of delivery

- Hand test pump model CPP7-H
- T-connector
- 4 hose connection adapters
- 2 connecting hoses; each 0.5 m long (1.64 ft)
- Selectable connection adapter (G 1/2, G 1/4, 1/2 NPT or 1/4 NPT)
- PTFE sealing tape

## Accessories

### Adapter

- Connection adapter G 1/8 female to G 1/2 female, material stainless steel
- Connection adapter G 1/8 female to G 1/4 female, material stainless steel
- Connection adapter G 1/8 female to 1/2 NPT female, material stainless steel
- Connection adapter, G 1/8 female to 1/4 NPT female, material stainless steel
- Hose connection adapter G 1/8 male to 4 mm hose connection

### Case

- Plastic case, incl. foam insert with free spaces for model CPP7-H; dimensions (W x H x D): 350 x 265 x 85 mm (13.78 x 10.53 x 3.35 in)

### Other

- T-connector 2 x G 1/8 female to G 1/8 male, material: brass
- Spare hose for model CPP7-H; length 0.5 m (1.64 ft)

## Ordering information

CPP7-H / Standard connection adapter / Additional connection adapter / Case / Further approvals / Additional ordering information

© 12/2016 WIKA Alexander Wiegand SE & Co. KG, all rights reserved.  
The specifications given in this document represent the state of engineering at the time of publishing.  
We reserve the right to make modifications to the specifications and materials.



Contact:  
Industrial Process Measurement, Inc.  
3910 Park Avenue, Unit 7  
Edison, NJ 08820  
732-632-6400  
support@instrumentation2000.com  
<http://www.instrumentation2000.com>