

MINI-SOURCE PORTABLE CALIBRATOR

SPECIFICATIONS:

Output: 5 current steps

(4, 8, 12, 16, 20 mA)

Accuracy: ± 0.075 of full scale

Voltage Compliance:

Source: Internal 9 volt battery

Simulate: External supply - up to 30 Vdc

Temperature Stability: 100 ppm/ $^{\circ}$ C

Power Supply: 9 volt alkaline battery

Battery Life: 50 hours @ 4 mA out

Temperature Range:

Operating: 0° to 50° C

Storage: -25° to 60° C

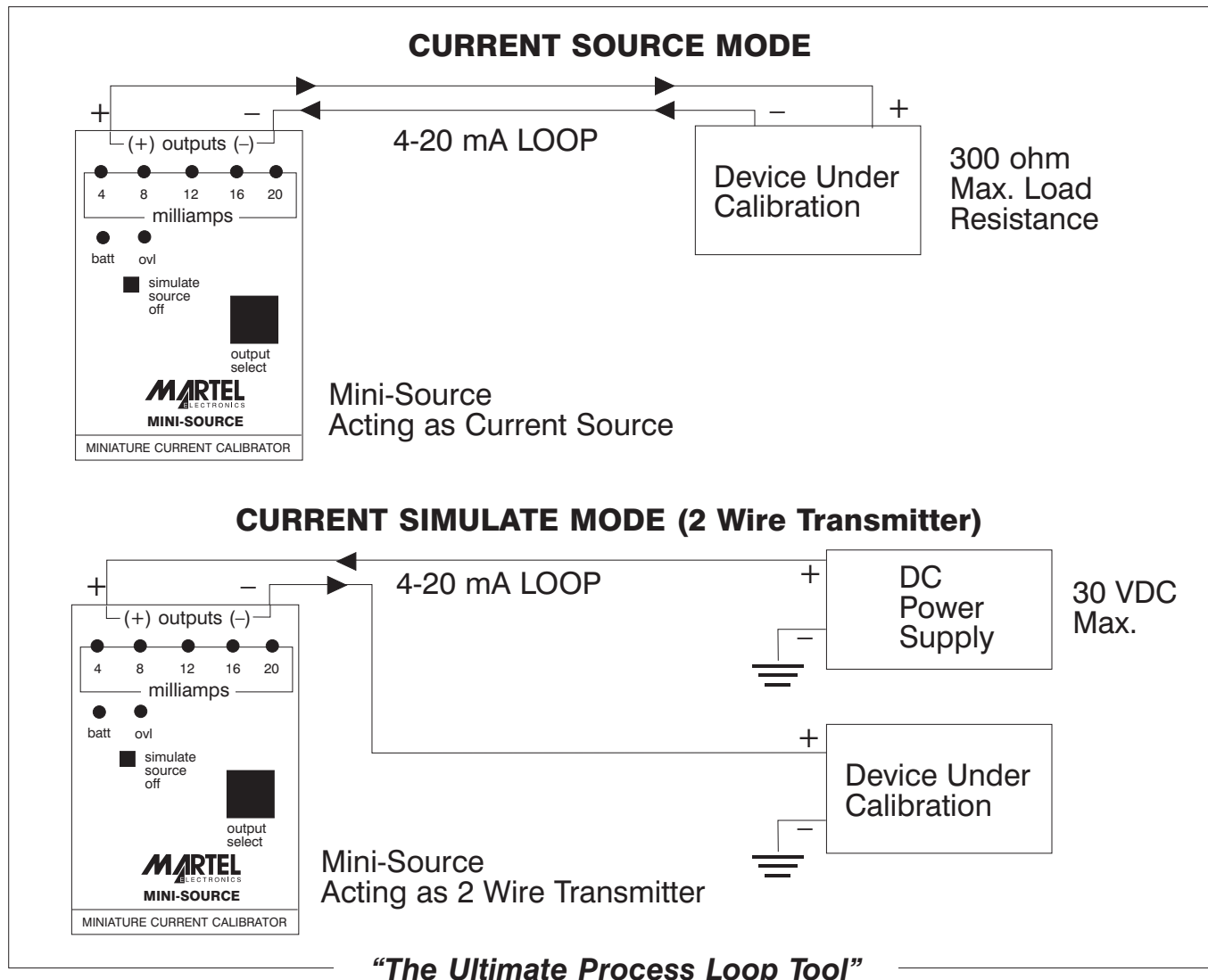
Output Terminations: Two alligator clips on 8" leads.

Size: 3.8" x 2.4" x 1.0"

Unit furnished with standard belt clip.

TYPICAL APPLICATIONS:

- CHART RECORDER
- PANEL METER
- DATA ACQUISITION
- OTHER PROCESS INSTRUMENTS



Martel Electronics

P.O. Box 770, 1F Commons Dr., Londonderry, NH 03087

Tel: 1-800-821-0023 1-603-434-8179 E-mail: sales@martelcorp.com