

# SGD 35-M

## PanelPilot Compatible Smart Graphics Display



### Features

- 3.5" colour TFT screen
- Use PanelPilot software, to setup and customise the display. Compatible with Windows 7, 8.1 and 10
- Multiple voltmeter configurations included free
- Programmable via the USB interface
- Simple panel mounting solution
- Wide operating voltage of 4V – 30V d.c.
- Measures voltage from 0 – 40V d.c.
- Digital hold



The SGD 35-M is a PanelPilot Compatible graphics display with a 320 x 240 pixel (QVGA) colour display and USB programming interface.

Using the PanelPilot software (available for Windows 7, 8.1 and 10), users are able to choose from an ever-increasing number of configurations (six voltmeters at launch) which can then be customised to their needs.

Colours, text labels, splash screen and input voltage scaling can all be customised by the user through the software and then uploaded to the SGD 35-M through the USB connection.

Panel or enclosure installation of the display is simple, using a panel fixing clip to mount the display, and 4 screw terminals to connect the inputs.

### Specifications

	Minimum	Typical	Maximum	Unit
<b>Accuracy</b>		0.05	0.1	%
<b>Linearity</b>			±1*	Count
<b>Sample rate</b>		3		Samples / second
<b>Operating temperature range</b>	0 (+32)		+40 (+104)	°C (°F)
<b>Supply voltage</b>	4		30	V d.c.
<b>Measurement voltage (single ended only)**</b>	0		40	V d.c.
<b>Supply current ***</b>	50		300	mA

\* Depending on user calibration settings

\*\* The SGD 35-M uses a programmable gain amplifier. There are 8 different voltage ranges, to optimise the resolution. See page 2 for details.

\*\*\* Voltage dependent. See graph on Page 2.

### Ordering Information

Standard Display (Panel meter, fixing kit, quick start guide)	<b>SGD 35-M</b>
USB Cable (Type A to mini-B)	<b>CABLE USB A-MF</b>

# SGD 35-M

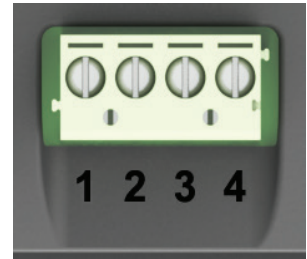
## PanelPilot Compatible Smart Graphics Display



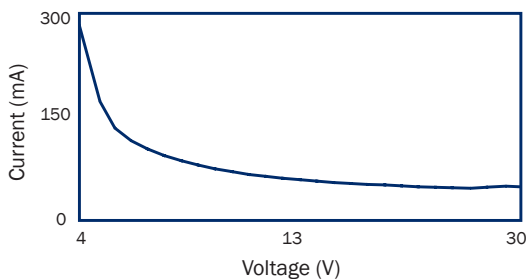
### Hardware

#### Screw Terminal Functions

- 1 IN2 Analogue voltage input 2 (maximum of 40V d.c.)
- 2 IN1 Analogue voltage input 1 (maximum of 40V d.c.)
- 3 0V 0V power supply input
- 4 V+ Positive power supply input (4V – 30V d.c.)



#### Typical Supply Current



#### Voltage Input

The SGD 35-M features 2 voltage inputs, which use a Programmable Gain Amplifier (PGA) to make the best use of available resolution (the smallest voltage range offers the highest resolution). Each channel can be programmed independently, with the option of eight different input voltage ranges:

Voltage Range (V)	Resolution (mV)
0 - 1.25	0.3
0 - 2.5	0.6
0 - 4	1.0
0 - 5	1.2
0 - 8	2.0
0 - 10	2.4
0 - 20	4.9
0 - 40	9.8

The input voltage range is decided using the two voltages that the user enters in the scaling section of the Panel Pilot software. The software uses the smallest range available, which can accommodate both of the voltages entered by the user. The absolute maximum voltage input is 40V d.c. For example:

Entering a voltage scale of 0 – 30V in the software will use the 0 – 40V range.  
Entering a voltage scale of 0 – 3V in the software will use the 0 – 4V range.  
Entering a voltage scale of 5 – 15V in the software will use the 0 – 20V range.

Note: V+, IN1 and IN2 share a common ground (i.e. not floating or isolated from each other).

#### USB connection

A 'Type A to Mini-B' USB cable is required to program and customise the SGD 35-M. It typically takes 10 seconds to send a configuration, with an additional 5 seconds needed for the hardware to reset.

The SGD 35-M can be powered directly from USB and is compatible with both USB 1.1 and USB 2.0. The screw terminals and advanced connector can remain connected whilst using USB, but it is not necessary for V+ to be powered.

# SGD 35-M

## PanelPilot Compatible Smart Graphics Display



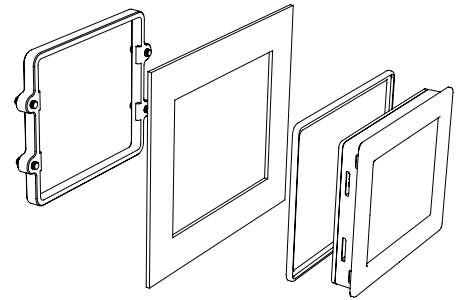
### Display

The display is a 3.5" TFT panel, with a resolution of 320 x 240 pixels and a 16-bit color depth. Any graphics that are uploaded to the meter are automatically converted to this specification. A resistive touchscreen is fitted, for use with supporting applications. Clean the screen with a damp, soft, lint free cloth.

### Panel Mounting

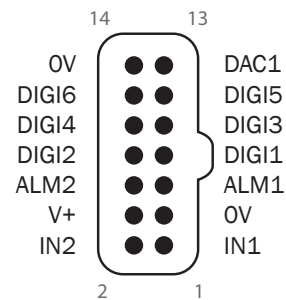
The SGD 35-M can be fitted into panels 1mm - 3mm deep. A silicone seal is included to improve fitting on thin panels. Panel cut-out is 92mm x 74mm.

Note: The display is NOT protected against moisture or dust.



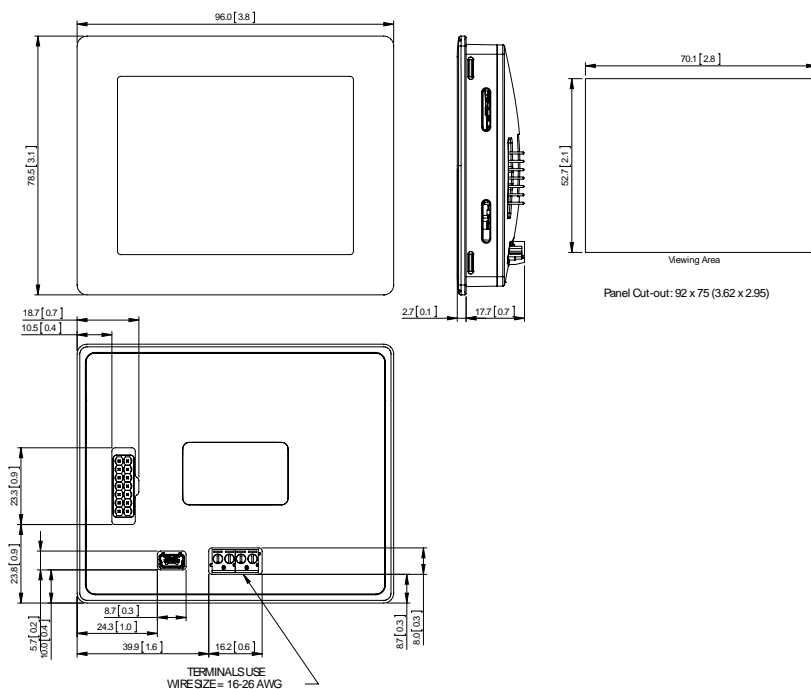
### Advanced Connector

The DIL IDC socket provides an alternative connection method to the screw-terminals (V+, 0V, IN1 and IN2 are duplicated). It also includes provision for future expansion using data buses (SPI and I2C) and alarm outputs. Some expansion options may require an additional interface board - Visit [www.panelpilot.com](http://www.panelpilot.com) for information on which features are currently supported.



## Dimensions

All dimensions in mm (inches)



# SGD 35-M

## PanelPilot Compatible Smart Graphics Display



### PanelPilot Software

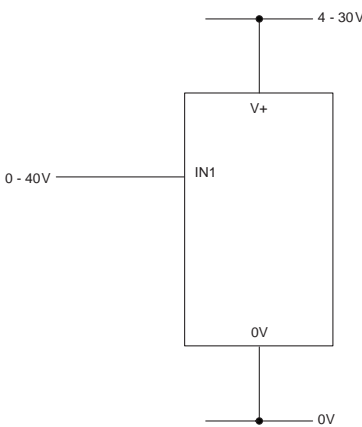
Lascar's PanelPilot software is available for download free of charge from [www.PanelPilot.com](http://www.PanelPilot.com). Easy to install and use, the control software runs under Windows 7, 8.1 and 10. The software is used to setup the appearance and operation of the meter and then upload these settings to the meter.

Multiple types of voltmeter are supplied with the software. Additional voltmeters and functions will be made available using an annual subscription based service through [www.PanelPilot.com](http://www.PanelPilot.com). See the website for details of available meters.

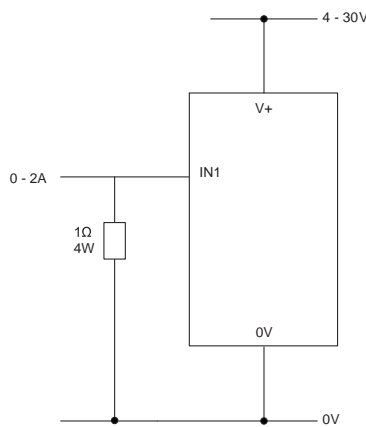
The software allows the following parameters to be configured:

- Meter type
- Text labels (including units and graph labels)
- Background, graph segment and text colors
- Input scaling / calibration (at two points)
- Decimal points (entered during scaling)
- Splashscreen image selection (to display a user image, such as a logo, when the meter is powered up)

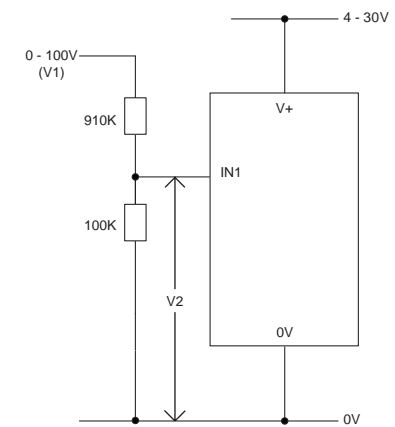
### Various Operating Modes



Measuring a voltage source



Measuring 0 - 2 amps current range.  
Use a 1 Ω resistor, with a 4W rating.  
Setup scaling in software: 0V = 0.00 and 2V = 2.00



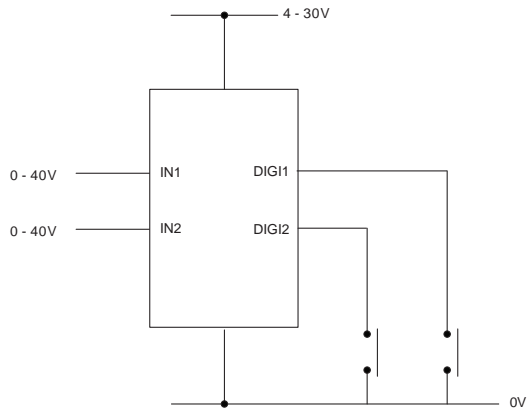
Measuring 0 - 100V (d.c. only).  
Input a known voltage of between 0 and 100V (V1)  
Measure the voltage between IN1 and 0V (V2)  
Setup scaling in software: 0V = 0.0  
V2 = V1 (Enter with the same number of decimal points,  
i.e 50.0)

# SGD 35-M

PanelPilot Compatible  
Smart Graphics Display

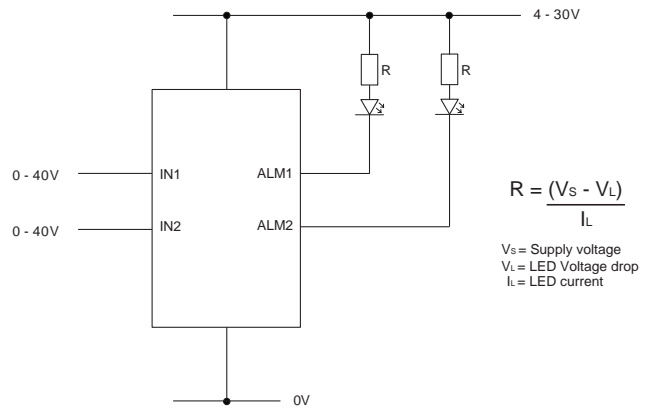


## Various Operating Modes



DIGITAL HOLD

DIG1 will hold the display for IN1  
DIG2 will hold the display for IN2

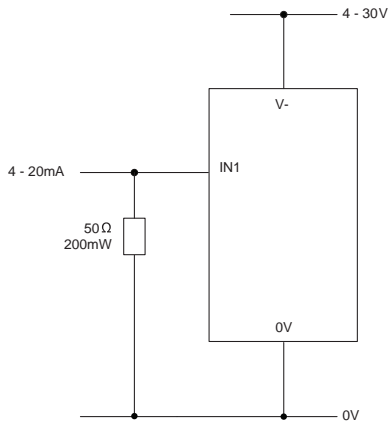


ALARM OUTPUTS

Applications that feature an alarm can be connected as above.  
ALM1 and ALM2 must not sink more than 10mA maximum each.  
If supply voltage varies, use an appropriate voltage regulator.

$$R = \frac{(V_s - V_L)}{I_L}$$

$V_s$  = Supply voltage  
 $V_L$  = LED Voltage drop  
 $I_L$  = LED current



MEASURING 4-20mA

Use a 50 Ohm resistor with a 200mW rating.  
Setup scaling in software 0.2V=4.0 and 1V=20.0  
Cannot be loop powered. Supply must be isolated from current loop.



Contact:  
Industrial Process Measurement, Inc.  
3910 Park Avenue, Unit 7  
Edison, NJ 08820  
732-632-6400  
support@instrumentation2000.com  
<http://www.instrumentation2000.com>

