

SGD 21-B

PanelPilot Compatible E-paper Dot Matrix Display

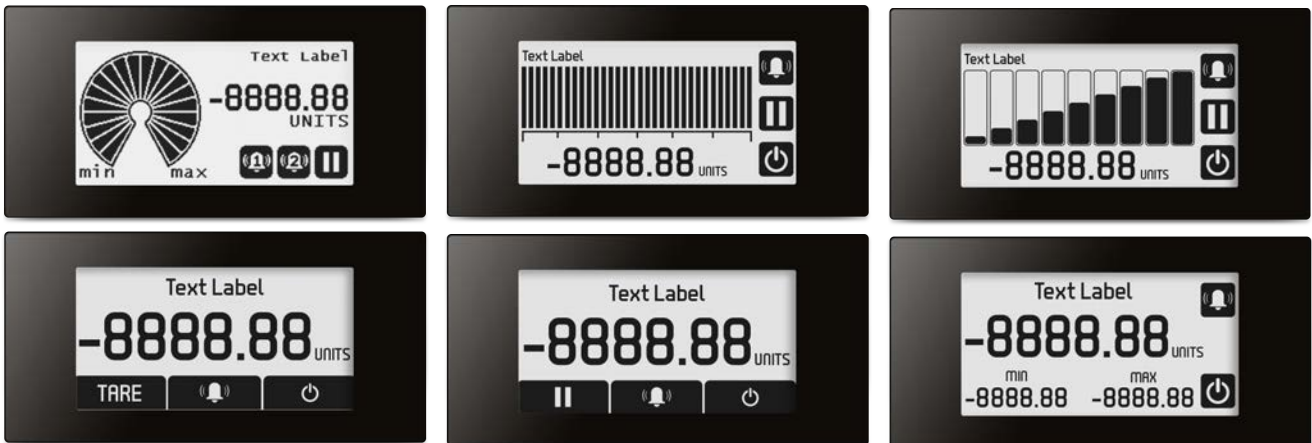


- 2.1" e-paper dot matrix display.
- Use PanelPilot B software to setup and customise the display.
- 6 voltmeter configurations included for free.
- Reflective e-paper technology is sunlight readable and ultra low power.
- Two alarms available for configuration during software set-up.
- Configurable digital I/O pin.
- IP54 rating on front panel.
- Wide operating voltage of 4 – 9V d.c.

Lascar's SGD 21-B is a low cost, ultra low power, sunlight readable, single channel voltmeter with a sleek monochrome e-paper dot matrix display.

The display works with free PanelPilot B configuration software (available for Windows 7, 8 and 10) providing six analogue and digital voltmeter Apps which can then be customised to suit individual applications. Elements of each configuration that can be changed in software include custom labels, scaling and alarms. A splashscreen can be added to display on power-up.

Once the App is complete, upload it to the SGD 21-B display using the CABLE USB A-SIL5. Panel or enclosure installation of the display is simple, using a panel fixing clip to mount the display.



*Six configurations are available to customise and upload. Colours of each display can also be inverted if required.

Specifications

	Minimum	Typical	Maximum	Unit
Accuracy		0.05	0.1	%
Linearity			±1	Count
Sample rate		2		Samples / second
Operating temperature range	0 (+32)		+40 (+104)	°C (°F)
Measurement range	0		1.25	V d.c.
Input leakage current		±0.1	±40	nA
Supply voltage	4		9	V d.c.
Supply current		3		mA

Included in the Box

Standard Display (Panel meter, fixing kit, quick start guide)	SGD 21-B
---	----------

Accessories

USB Cable	CABLE USB A-SIL5
-----------	------------------



SGD 21-B

PanelPilot Compatible E-paper Dot Matrix Display



Pin-out

USB (PL1)

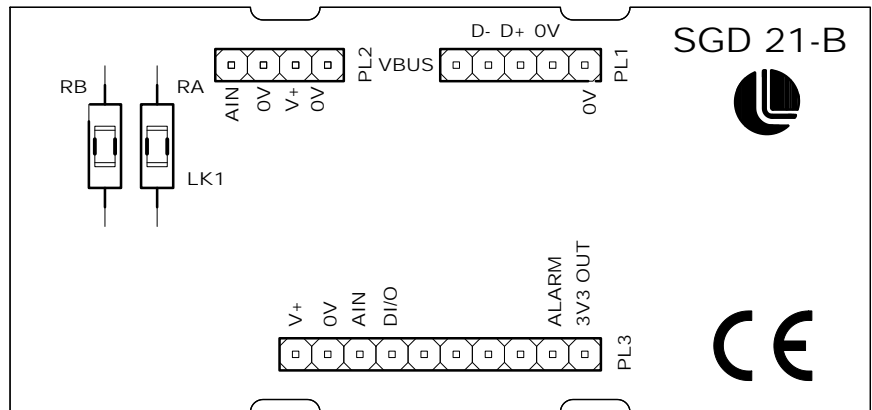
VBUS: USB supply
 D-: Negative USB data bus connection
 D+: Positive USB data bus connection
 0V: Ground
 0V: Ground

Basic (PL2)

AIN: Analogue Input Voltage
 0V: Ground
 V+: Power Supply Connection
 0V: Ground

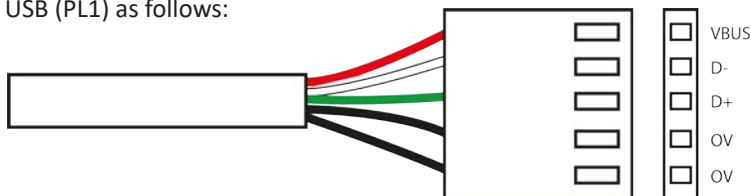
Advanced (PL3)

V+: Power Supply Connection
 0V: Ground
 AIN: Analogue Input Voltage
 DI/O: Digital Input or Output (See digital configurations)
 ALARM: Open Collector Alarm Output
 3V3 OUT: 3.3V supply generated on board



USB Cable Connection

Accessory CABLE USB A-SIL5 should be connected to USB (PL1) as follows:



USB Cable Connection

Desc	Wire Colour
VBUS	Red
D-	White
D+	Green
0V	Black
0V	Black

Scaling Resistors

Two resistors may be used to alter the full scale reading of the meter. See table to the right.

Scaling Resistors

Maximum Input		Ra	Rb
6.25v	Note 1	1M	250K
12.6v	Note 1	1M	110K
21.4v	Note1	1M	62K
30.0v	Note 1	1M	43K
20mA		OR (LK1)	62R
200mA		OR (LK1)	6.2R
4-20mA	Note 2	OR (LK1)	62R

Note1: Ensure LK1 is cut if fitting Ra.

Note2: In software, Set point 1 = 1.24v (20mA) and Set point 2 = 0.248v (4mA).

Display

The black and white display is a 2.19" E-paper display with a resolution of 250x122. Any splashscreen graphics that are uploaded to the meter are automatically converted to this specification but for optimal results should be designed in this format.

PanelPilot B Software

Lascar's PanelPilot B software is available for download free of charge from www.lascarelectronics.com/software. Easy to install and use, the configuration software runs under Windows 7, 8 and 10. The software is used to setup the appearance and operation of the App and then upload these settings to the display.



SGD 21-B

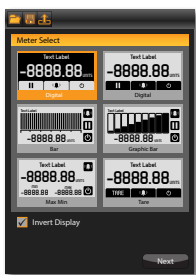
PanelPilot Compatible E-paper Dot Matrix Display



The software allows the following parameters to be configured:

- Meter type
- Text labels (including unit labels)
- Input scaling / calibration (at two points)
- Decimal points (entered during scaling)
- Splashscreen image selection (to display a user image, such as a logo, when the meter is powered up)
- Digital pin

Create your application in 4 easy steps



1. Application Selection
Choose from 6 popular configurations including analogue and bar graph styles. Select colour style, either black on white or inverted.



2. Appearance & Splash Screen
Add custom text labels. Choose an image of your choice, such as a logo, that can be set-up to appear on power-up.



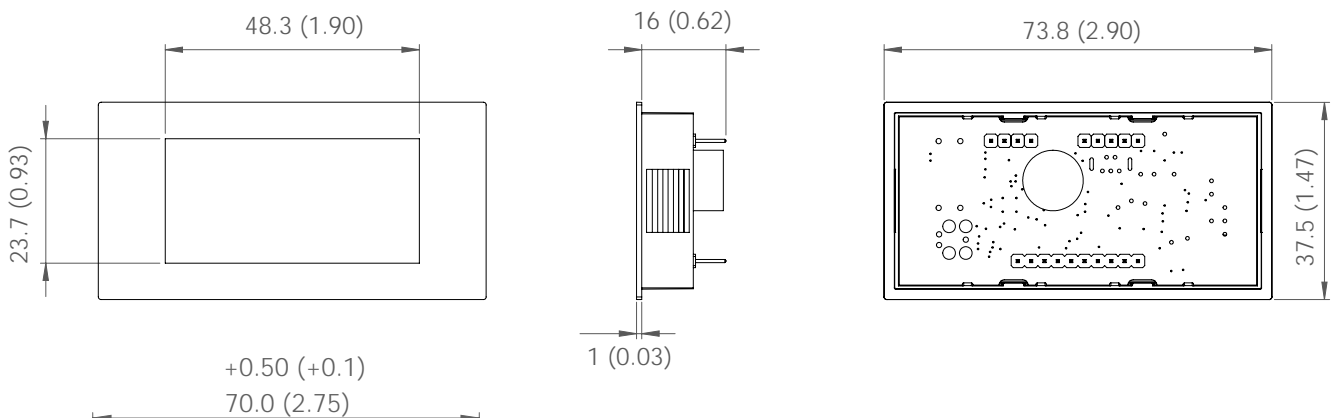
3. Scaling & Alarms
Select custom scaling options, alarm settings and digital pin configuration.



4. Set-up is complete
Connect your display to the PC and upload your configuration.

Dimensions

All dimensions in mm (inches)



Panel Cut-out: 70mm x 34mm (2.75" x 1.33")
Viewing Area: 48.3mm x 23.7mm (1.9" x .93")



SGD 21-B

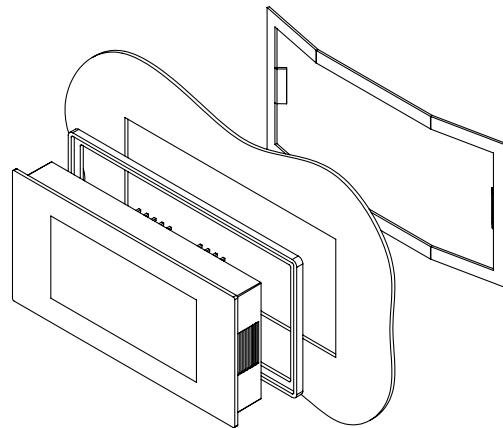
PanelPilot Compatible E-paper Dot Matrix Display



Panel Mounting

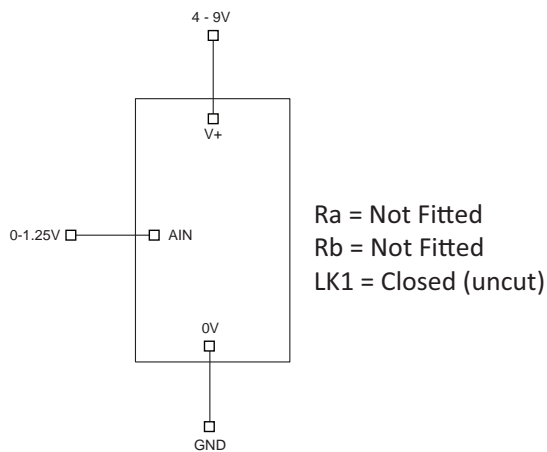
The SGD 21-B can be fitted into panels of up to 3mm deep. A silicone seal is included to improve fitting on thin panels, however the maximum panel thickness is reduced to 2mm when fitted. Panel cut-out is 70 x 34mm.

Note: The display is NOT protected against moisture from the rear of the panel.

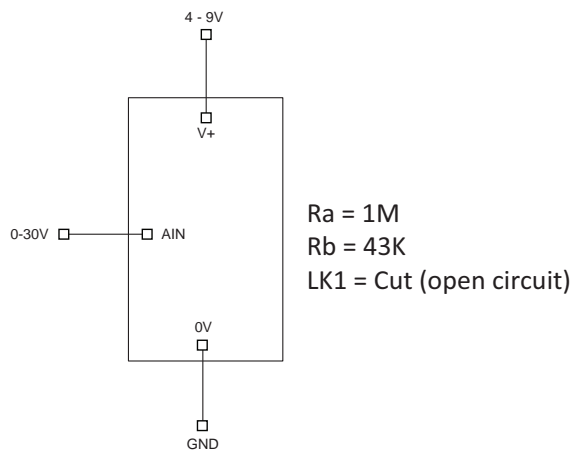


Various Operating Modes

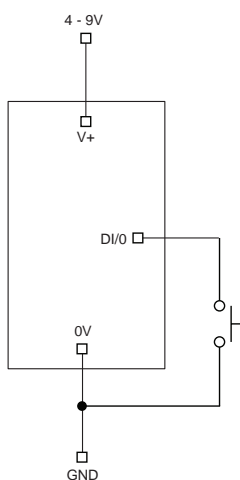
No Scaling



Scaling



Digital In



Alarm

