

Pressure Transmitter with Ceramic Sensing Element



measuring
•
monitoring
•
analyzing

SEN-86/87



- Measuring Ranges: -30" Hg...0 to 0...10000 PSIG
- Max. Media Temperature: 250 °F
- DIN Accuracy Class: 0.5
- Materials: Stainless Steel, Ceramic, and NBR
- Connection Options: 1/4" NPT or 1/2" NPT
- OEM Targeted Product
- Shown with Optional Loop-Powered In-line Display Model AUF



Contact:
Industrial Process Measurement, Inc.
3910 Park Avenue, Unit 7
Edison, NJ 08820
732-632-6400
support@instrumentation2000.com
<http://www.instrumentation2000.com>



Pressure Sensor with Ceramic Sensor Element Model SEN-86/87

Description

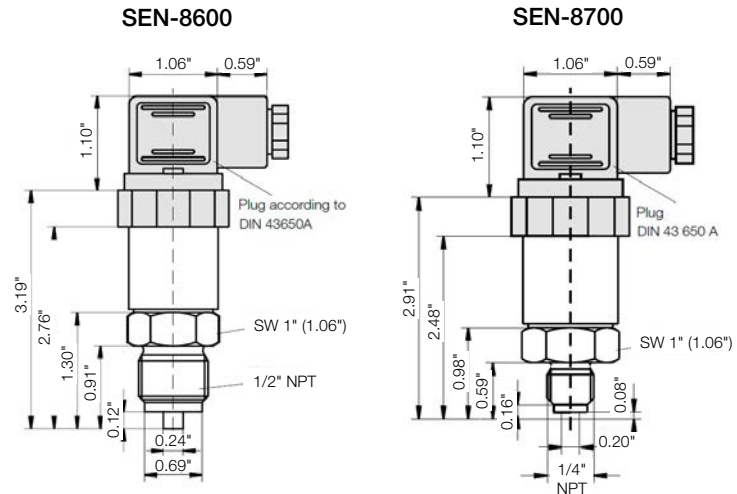
The KOBOLD SEN-86/87 series pressure transmitters are cost-effective and contain a rugged ceramic sensing element. The SEN-86/87 series offers good accuracy, a compact reliable design and is well suited for OEM applications. The wetted materials are compatible with many different medias and the sensing technology can handle a variety of mechanical loads. These are widely used in the following applications: plant engineering, environmental engineering, machine building, and cooling circuits.

Technical Data

Technology:	Internal Diaphragm
Pressure Type:	Gauge Pressure
Housing:	303 Stainless Steel
Connection:	1/4" or 1/2" NPT, 304 Stainless Steel
Sensor Element:	Piezo-resistive Ceramic (Al ₂ O ₃)
Measuring Principle:	Thick Film Technology (DMS)
O-Ring:	NBR (Others upon Request)
Max. Temperature:	
Storage:	-22 ... 212 °F
Media:	-4 ... 250 °F
Ambient:	-22 ... 212 °F
Pressure Limitation:	< 870 PSIG: 2 x Range > 870 PSIG: 1.5 x Range
Accuracy Class:	0.5
Repeatability:	≤ ± 0.15 % of FS
Characteristic Deviation:	≤ ± 0.3 % of FS
Stability (Per Year):	≤ ± 0.2 % of FS (Under Reference Conditions)
Electrical Connection:	Plug According to DIN 43 650 A, Plug M12x1, Cable Connection

Auxiliary Power:	15 ... 32 V _{DC}
Output:	4 - 20 mA (2-wire), 0 - 10 V _{DC}
Load (Ω):	≤ (U _B - 15V) / 0.02 A (for 4 - 20 mA)
Response Time:	≤ 1 ms (within 10 - 90 % of f/s)
Compensated Range:	-13 ... 185 °F
Temperature Drift:	Zero Point: ≤ ± 0.02 % FS/K Span: ≤ ± 0.01 % FS/K
Protection:	IP 65

Dimensions



Order Details (Example: SEN-8600N4 0 P025)

Process Connection	Model Number	Output Signal	Measuring Range			
1/2" NPT	SEN-8600N4..	..0.. = 4 - 20 mA, 2-Wire	..H315 = -30...0 in Hg			
			..P025 = 0...15 PSIG			
			..P045 = 0...30 PSIG			
			..P055 = 0...50 PSIG			
			..P060 = 0...60 PSIG			
			..P065 = 0...100 PSIG			
			..P075 = 0...150 PSIG			
			..P085 = 0...200 PSIG			
			..P090 = 0...300 PSIG			
			..P095 = 0...400 PSIG			
			..P100 = 0...500 PSIG			
			..P105 = 0...600 PSIG			
			1/4" NPT	SEN-8700N2..	..2.. = 0 - 10 V	..P115 = 0...1000 PSIG
						..P125 = 0...1450 PSIG
						..P130 = 0...2000 PSIG
						..P135 = 0...2300 PSIG
..P140 = 0...3000 PSIG						
..P145 = 0...3600 PSIG						
..P150 = 0...5000 PSIG						
..P155 = 0...5800 PSIG						
..P160 = 0...7500 PSIG						
..P165 = 0...10000 PSIG						

AUF Display Option



Order Details

Model	Description
AUF-1000	Standard Plug-on Display, 4 - 20 mA, 2-wire
AUF-1001	Plug-on Display with Open Collector, 4 - 20 mA, 2-wire

See model AUF product datasheet for further technical details