

## Polysulfone Paddle Switch



measuring  
•  
monitoring  
•  
analyzing

PPS



- Bi-directional
- Low Cost
- Easy to Install
- Max. Media Temp: 225 °F
- Fittings: 1" NPT , G1
- Body/Paddle Material: Polysulfone
- Low Pressure Drop



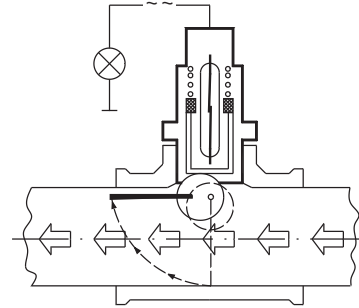
Contact:  
Industrial Process Measurement, Inc.  
3910 Park Avenue, Unit 7  
Edison, NJ 08820  
732-632-6400  
support@instrumentation2000.com  
<http://www.instrumentation2000.com>



## Polysulfone Paddle Switch Model PPS

### Description

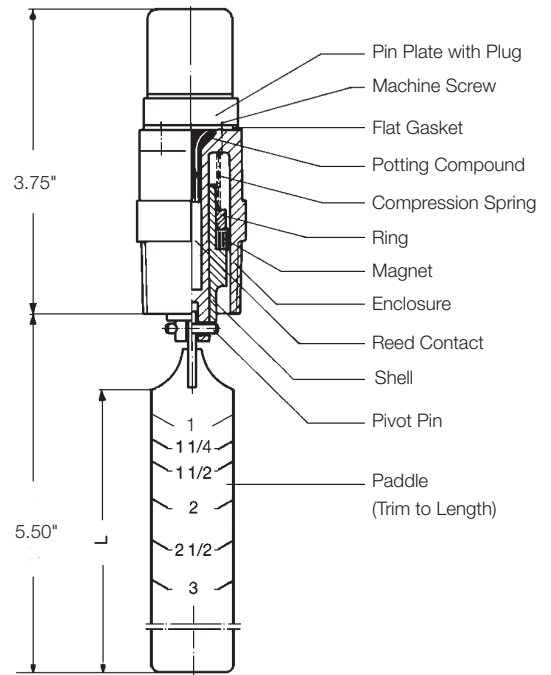
The KOBOLD PPS paddle-type flow switch, for pipes 1" and larger, combines reliability with an economical price. It is also virtually maintenance free. The pressure drop across the instrument is negligible. The switch status is clearly visible by viewing the movement of the red magnet bearer through the transparent polysulfone housing. The PPS is available with either a normally open, normally closed or SPDT reed switch contact. The nominal switching point is determined by the length of the paddle. During installation, the paddle is typically cut at a mark based upon the pipe diameter, equating to the highest possible switch sensitivity and lowest switching point. Installation is easy: Simply insert the PPS into an appropriately sized tee fitting or NPT coupling sealed with PTFE tape. To help minimize turbulence, allow for a straight pipe run of at least three times the pipe diameter on either side of the tee.



### Technical Details

<b>Switch Housing:</b>	Polysulfone, Transparent
<b>Internal Wetted Parts:</b>	SS, PVDF, Ceramic Magnet
<b>Process Connection:</b>	1" MNPT, G1
<b>Max. Media Temperature:</b>	225 °F
<b>Max. Operating Pressure:</b>	145 PSI
<b>Maximum Pressure Drop:</b>	1.45 PSI
<b>Repeatability:</b>	±3%
<b>Electrical Connection:</b>	DIN 43 650 w/Cable Gland
<b>Protection Type:</b>	IP65 / NEMA 4
<b>Mounting Orientation:</b>	Paddle: Vertical Piping: Horizontal
<b>Switch:</b>	N/C, N/O or SPDT Reed Switch Hermetically Sealed Magnetically Actuated
<b>Max. Switching Capacity:</b>	230 V <sub>AC/DC</sub> ; 2 A; 40 W / 40 VA (N/C, N/O contact) 100 V <sub>DC</sub> ; 0.5 A; 5 W (SPDT contact)

### Dimensions



### Order Details (Example: PPS-1201)

Contact Function	Model Code	
	G1	1" NPT
N/C Contact	PPS-1201	PPS-3205
N/O Contact	PPS-1202	PPS-3206
Changeover Contact	PPS-1203	PPS-3203
<b>Option:</b> Suffix "..C" = 1/2" NPT Conduit Fitting		

### Approximate Switch Points

Nominal Pipe Size	Switch Point (GPM Water)	
	Rising Flow	Falling Flow
1"	9.5	5.0
1 1/4"	9.5	5.0
1 1/2"	14.5	9.5
2"	19.0	9.5
2 1/2"	24.0	14.5
3"	28.5	19.0