

## Electronic Pressure Switch



measuring  
•  
monitoring  
•  
analyzing

PDL



- Switching Range: 0.1...1 to 60...600 bar
- Max. Temperature: 80 °C
- Connection: 1/4" NPT or G 1/4
- Material: Brass
- Repeatability:  $\leq 1\%$  of Full Scale



Contact:  
Industrial Process Measurement, Inc.  
3910 Park Avenue, Unit 7  
Edison, NJ 08820  
732-632-6400  
support@instrumentation2000.com  
<http://www.instrumentation2000.com>

KOBOLD Instruments, Inc.



**Description**

The KOBOLD PDL Series electronic pressure switch is an economical pressure monitor with a switch output that can be easily adjusted on-site by turning an adjustment screw. With the help of a spring-assisted measuring element and the use of a Hall-Effect sensor, the PDL Series electronic pressure switch can provide a maximum of two switching outputs for a given pressure. One or two switching outputs can be delivered as a normally open or normally closed (N/O or N/C) configuration. The compact size, rugged construction and wide adjustable pressure range make it an ideal pressure switch for OEM usage.

**Specifications**

**Housing**

**PDL-0:** Brass  
**PDL-1:** Anodized Aluminum

**Upper Housing:** Plastic

**Process Connection:** Brass, 1/4" NPT, G 1/4

**Measuring Element**

**PDL-0:** Copper Alloy, Capsule Element  
**PDL-1:** 316L Stainless Steel, Spiral Spring

**Maximum Temperature**

**Storage:** -30...80 °C  
**Media:** -20...80 °C  
**Ambient:** -20...80 °C

**Temp. Comp. Range:** 0...80 °C

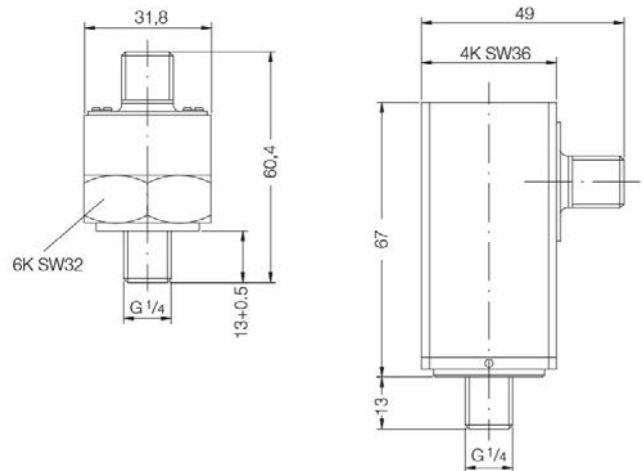
**Temperature Influence:** 0.4% / 10 K

**Overload Limit**

≤ 10 bar: 4x Range  
 ≥ 16 bar: 2x Range

**Load Change:** 1 x 10<sup>6</sup>

**Dimensions (mm)**



**Electrical Connection:** M12 x 1 Plug (4-pole)  
 (Option: 1.5 m Cable)

**Switching Function:** N/C or N/O, p-switching

**Range Adjustment:** 10...100% of Full Scale

**Switchpoint Adjustment:** Via Adjustment Screw

**Repeatability:** < 1% of Full Scale

**Switching Hysteresis:** ≤ 5% of Full Scale  
 ≤ 10% of Full Scale at 16 and 25 bar

**Power Supply:** 10...30 VDC

**Power Rating:** Max. 100 mA (Max. 30 VDC)

**Protection:** IP 65 (IP 67 with Cable Output)

**Order Details (Example: PDL-0131 N2 B025 )**

Model	Description	Output	Connection	Switching Range (on Increasing Pressure)
PDL-01..	Electronic Pressure Switch Brass Housing M12 x 1 Plug	..31.. = 1 N/O Contact ..32.. = 2 N/O Contacts ..33.. = 1 N/C Contact ..34.. = 2 N/C Contacts ..35.. = 1 N/O & 1 N/C	..N2.. = 1/4" NPT ..R2.. = G 1/4 Male	..C315 = -0.9...-0.05 Bar ..B126 = 0.005...0.1 Bar ..B025 = 0.05...1.0 Bar ..B045 = 0.013...2.5 Bar ..B055 = 0.2...4.0 Bar ..B065 = 0.3...6.0 Bar ..B075 = 0.5...10 Bar ..A095 = 2.5...25 Bar
PDL-11..	Electronic Pressure Switch Aluminum Housing M12 x 1 Plug	..31.. = 1 N/O Contact ..32.. = 2 N/O Contacts ..33.. = 1 N/C Contact ..34.. = 2 N/C Contacts ..35.. = 1 N/O & 1 N/C	..N2.. = 1/4" NPT ..R2.. = G 1/4 Male	..A115 = 3.0...60 Bar ..A125 = 5...100 Bar ..A135 = 8...160 Bar ..A145 = 13...250 Bar ..A155 = 20...400 Bar ..A165 = 30...600 Bar