

Flow Indicator with Self Cleaning Mechanism



measuring
•
monitoring
•
analyzing

DAA



- For Liquids
- Transparent Glass Cylinder
- Maximum Pressure: 232 PSIG
- Built-In Self-Cleaning Mechanism
- Universal Mounting



Contact:
Industrial Process Measurement, Inc.
3910 Park Avenue, Unit 7
Edison, NJ 08820
732-632-6400
support@instrumentation2000.com
<http://www.instrumentation2000.com>

KOBOLD Instruments, Inc.



Flow Indicator with Self Cleaning Mechanism Model DAA

Description

KOBOLD's DAA flow indicator features a self-cleaning mechanism to guarantee rotor visibility. Most types of flow indicators suffer visibility problems as the result of residue build-up on the viewing windows. These traditional indicators usually require a plant shutdown to remove and restore them. Unfortunately, dirt build-up does not usually correspond to planned shut-downs. Enter, the KOBOLD DAA! With a simple twist of the sight glass, integral wipers eliminate build-up which is then washed away by the media's flow. The DAA will save you both fuss and downtime.

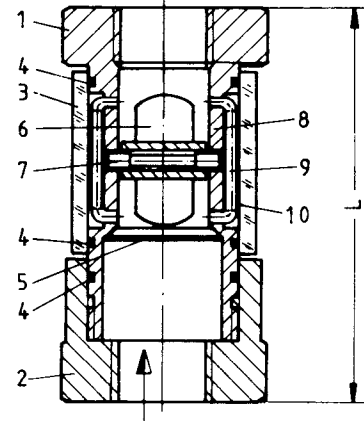


Specifications

Max. Temperature: 212° F
Max. Pressure: 232 PSIG

Component Materials

Ref.	Component	Material	
		Brass	Stainless Steel
1	Fitting	Ni-Plated Brass	303 SS
2	Inlet	Ni-Plated Brass	303 SS
3	Transparent Cylinder	Borosilicate Glass	Borosilicate Glass
4	O-Rings	NBR	FKM
5	Orifice	Nickel-Plated Brass	303 SS
6	Rotor*	POM	PTFE
7	Rotor Spindle	303 SS	303 SS
8	Support Bars	Ni-Plated Brass	303 SS
9	Wiper Yokes	301 SS	301 SS
10	Wipers	Polyolefin	FKM



*Rotor color red for models DAA-..08 through DAA-..25; rotor color white for models DAA-..32 and DAA-..40

Order Details (Example: DAA-5210)

Minimum Flow Required to Start Rotation (GPM)	Max. Flow Water (GPM)		Conn. (NPT)	Length "L" (inch)	Pressure Drop at Max. Flow (PSI)		Model Number			
	With Rotor	Without Rotor			With Rotor	Without Rotor	With Rotor		Without Rotor	
							Brass	SS	Brass	SS
0.11	1.0	2.2	1/4"	2.80	3.63	2.90	DAA-5108	DAA-5208	DAA-6108	DAA-6208
0.16	2.1	2.9	3/8"	2.80	3.63	2.90	DAA-5110	DAA-5210	DAA-6110	DAA-6210
0.26	3.2	8.3	1/2"	3.39	3.63	2.90	DAA-5115	DAA-5215	DAA-6115	DAA-6215
0.26	6.6	10.0	3/4"	3.70	3.63	2.90	DAA-5120	DAA-5220	DAA-6120	DAA-6220
0.42	10.6	9.7	1"	4.10	3.63	2.90	DAA-5125	DAA-5225	DAA-6125	DAA-6225
2.12	21.1	33.0	1 1/4"	4.72	3.63	2.90	DAA-5132	DAA-5232	DAA-6132	DAA-6232
2.12	26.4	33.0	1 1/2"	5.12	3.63	2.90	DAA-5140	DAA-5240	DAA-6140	DAA-6240