



## Loop Powered LCD Indicators for Field and Panel Mounting

### MAIN FEATURES

**LCD-W11 and LCD-P11 are two digital indicators for installation directly in a 4-20 mA loop without need for external power. LCD-W11 is designed for field mounting on wall, pipe or DIN rail and has a rugged and splashproof housing.**

**LCD-P11 is the panel mount version with splashproof front.**

**The indicators are equipped with high-contrast easy-to-read LCD digits.**

**The scale is easily programmable, without reference signal, by two pushbuttons for any values between -1999 and 9999.**

#### 4-digit LCD display

LCD-W11 and LCD-P11 are equipped with a high-contrast 4-digit LCD display. The digits are about 18 mm (0.7") high on LCD-W11 and 13 mm (0.5") on LCD-P11.

#### Loop powered with low voltage drop

The voltage drop is about 3 V for LCD-W11 and only 1.5 V for LCD-P11. They can therefore be connected to the 4-20 mA loop of any normal 2-wire transmitter with no need for external power.

#### High accuracy

With an accuracy of 0.05 % combined with a low temperature drift LCD-W11 and LCD-P11 allow for high precision read-outs.

#### Simple pushbutton scaling

The indication range can easily be scaled. The panel mounted LCD-P11 is furnished with two front mounted pushbuttons providing scaling possibility at any time without the need for any signal input.

The pushbuttons can be disabled by a switch on the back side of the LCD-P11.

The field mounted LCD-W11 is splashproof with two internal pushbuttons.

The scale can be set to any range between -1999 to 9999 for 4 to 20 mA input. Scaling operation does not require the use of a specific input signal.

Labels for different engineering units are included.

#### Transmitter option

The field indicator LCD-W11 can be equipped with an integrated Inor In-Head transmitter of any type.

#### Rugged design with IP 65/NEMA 4X protection

LCD-W11 is equipped with a rugged and splashproof IP 65 / NEMA 4X housing with double cable conduits for convenient installation.

LCD-P11 has a splashproof front with IP 65 / NEMA 4X protection.

The LCD-W11 is designed for ambient temperatures between -30 to +80 °C (-22 to +176 °F).

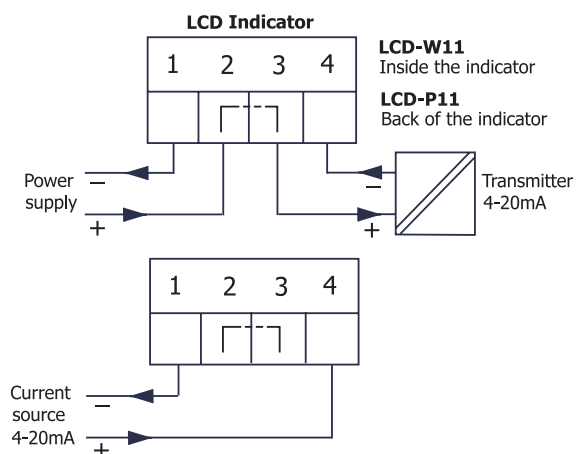
#### HART transparent

Both indicators are HART transparent, which means that they will not interfere with or be disrupted by HART communication over the current loop.

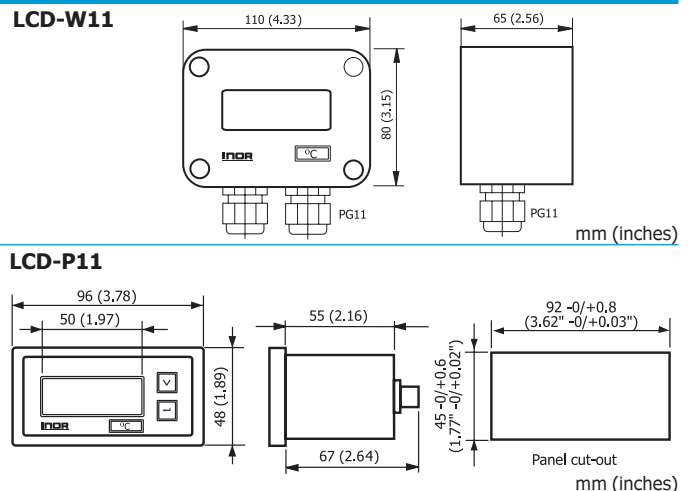
## SPECIFICATIONS LCD-W11/LCD-P11

INPUT			
Current			4-20 mA
Voltage drop	LCD-W11		~3 V
	LCD-P11		~1.5 V
Maximum current			30 mA
Minimum current for operation			~3.5 mA
INDICATION			
Display			Black LCD with 4 digits including minus sign
Digit height	LCD-W11		17.8 mm (0.7")
	LCD-P11		12.7 mm (0.5")
Indication range			Any range between -1999 to 9999
Decimals			Selectable, 0 to 3
Under range / Over range			Flashing symbols LO/HI
Response time, T(90 %)			Appr. 0.5 s
Engineering units			Set of labels included (including blanks)
CONFIGURATION			
Indication range (4-20 mA input)	LCD-W11		Two pushbuttons inside the housing
	LCD-P11		Two pushbuttons in the front (disable switch in the back)
Input signal for setting range			Not required
ENVIRONMENT CONDITIONS			
Ambient temperature	Operation	LCD-W11	-30 to +80 °C (-22 to +176 °F)
		LCD-P11	-20 to +80 °C (-4 to +176 °F)
	Storage		-30 to +80 °C (-22 to +176 °F)
Humidity			0 to 95 %RH
RFI influence			<0.5 % FS (typical)
EMC (EN 50081-2, EN 50082-2 Industrial)			Criterion A / B
ACCURACY			
Indication			±0.05 % FS ±1 digit
Resolution			12 bits (~4 µA)
Temperature influence			±0.25 % FS / 25 °C (45 °F)
Long-term stability			±0.1 % FS / year
HOUSING			
Dimensions	LCD-W11		80 x 110 x 65 mm (3.15" x 4.33" x 2.56")
	LCD-P11		48 x 96 x 67 mm (1.89" x 3.78" x 2.64")
Weight	LCD-W11		~230 g (8.1 oz)
	LCD-P11		~120 g (4.2 oz)
Material / Flammability (UL)	LCD-W11		PC / UL 94-5V Self-extinguishing
	LCD-P11		Noryl / UL 94 HB Self-extinguishing
Protection	LCD-W11		IP 65 / NEMA 4X
	LCD-P11		IP 65 / NEMA 4X (front)
Wire connections	LCD-W11		Stranded, ≤1.5 mm <sup>2</sup> , AWG 16, 2 conduits PG11
	LCD-P11		Stranded, ≤2.5 mm <sup>2</sup> , AWG 12
Mounting	LCD-W11		Rail acc. to DIN EN 50022, 35 mm, wall or 2" pipe
	LCD-P11		Panel mounting, cut-out 45 x 92 mm (1.77" x 3.62")

## CONNECTIONS



## DIMENSIONS



## ORDERING INFORMATION

LCD-W11	70LCDW1101
LCD-P11	70LCDP1102
Configuration	70CAL00001
Transmitter mounting kit	70ADA00024
Pipe mounting kit	70ADA00021
Din-Rail mounting kit	70ADA00022

## DISTRIBUTION

Contact:  
 Industrial Process Measurement, Inc.  
 3910 Park Avenue, Unit 7  
 Edison, NJ 08820  
 732-632-6400  
 support@instrumentation2000.com  
<http://www.instrumentation2000.com>