

## ▶ Highest levels of flexibility and reliability



**INOR**

### ▶ IPAQ CT20 – Compact and reliable transmitter for demanding applications

The IPAQ CT20 is an analogue, PC-configurable transmitter for Pt100 sensors. It comes in a robust, IP67 casing with M12 connections in both ends and offers the highest levels of flexibility and reliability. Its compact design and robust casing makes IPAQ CT20 the ideal choice for a wide range of applications, e.g. in OEM/ Machine applications or integrated in production and process lines. The M12 connectors allows the IPAQ CT20 to be optimally installed based on environmental conditions, physical space and access for maintenance.

A wide range of suitable cable sensors and sensor probes are available on request



IPAQ CT20

## Technical details

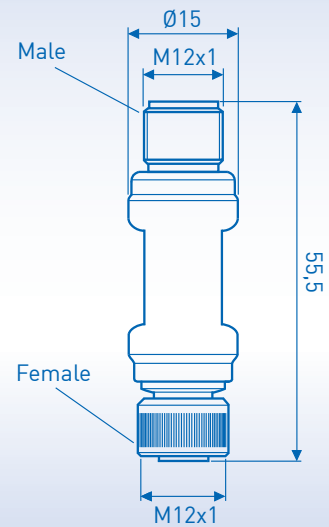
|                           |  |
|---------------------------|--|
| Input                     | 3-wire Pt100 IEC 60751, $\alpha=0.00385$                                   |
| Sensor current            | ~ 0.5 mA   |
| Output                    | Analog, 4-20 mA, temperature linear  |
| Response time (90%)       | < 10 ms  |
| Permissible load          | 750 $\Omega$ @ 24 VDC  |
| Measuring range           | PC-configurable  |
| Measuring range limits    | -50...+800°C   |
| Zero limits               | -50°C to +50°C   |
| Minimum span              | 50°C or 20°C   |
| Sensor error compensation | Max. $\pm 1$ % of span (2 points compensation)                             |
| Sensor break              | Selectable, Upscale ( $\geq 21.0$ mA) or downscale ( $\leq 3.6$ mA) action |
| Sensor short-circuit      | Fixed, downscale ( $\leq 3.6$ mA) action                                   |
| Ambient temperature       | -40 to +85 °C (storage and operation)                                      |
| Humidity                  | 0 to 100 %RH   |
| Vibrations                | Acc. to IEC 60068-2-6, test Fc, 10-2000 Hz, 10g                            |
| EMC                       | Acc. to IEC 61326-1  |
| Basic accuracy            | Max. of $\pm 0.2$ °C or $\pm 0.2$ % of span                                |
| Temperature influence     | Max. of $\pm 0.01$ °C per °C or $\pm 0.01$ % of span per °C                |
| Long-term stability       | $\pm 0.1$ % of span per year   |
| Power supply              | 7.5 to 32 VDC, polarity protected  |
| Material                  | Thermoplastic material*  |
| Weight                    | 16 g   |
| Protection                | IP67   |
| Process connection        | M12x1,4-pin  |

\* meets the hygienic requirements on materials and articles intended for contact with foodstuffs according to Regulation (EC) 1935/2004

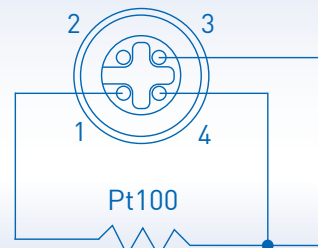
## Easy configuration

The configuration is easily done before the installation with the user friendly ConSoft software and it can be installed without stopping the process.

### Dimensions (mm)



### Input (female) connection



### Output (male) connection

