

APAQ-3LPT

Analog Adjustable 3-wire Transmitters



APAQ-3LPT is a multirange 3-wire temperature transmitter with Pt100 or Pt1000 input and 0-10 V output. Main applications are in the HVAC sector, where the control systems often require 0-10 V input signals. APAQ-3LPT is designed for high reliability and good industrial performance.

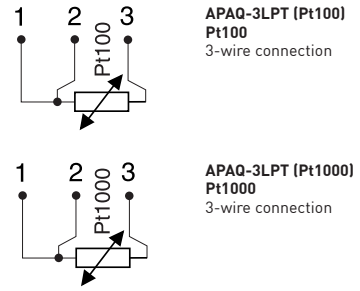
- 0-10 V output
- Rangeable with solder pads and potentiometers
- Temperature linear output
- Selectable sensor break function
- Short-circuit protected output
- Polarity protected power supply

Specifications:

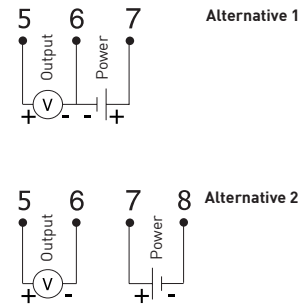
	APAQ-3LPT (Pt100)	APAQ-3LPT (Pt1000)
Input	Pt100 ¹⁾ , 3-wire connection	Pt1000 ¹⁾ , 3-wire connection
Maximum lead resistance	11 Ω / wire	11 Ω / wire
Sensor break	Upscale (>11 V), Downscale (0 V)	Upscale (>11 V), Downscale (0 V)
Adjustments		
Span	50/100/150/200 °C 100/200/300/400 °F	50/100/150/200 °C 100/200/300/400 °F
Fine adjustment	±10 %	±10 %
Zero	-50 to +50 °C -60 to +120 °F	-50 to +50 °C -60 to +120 °F
Output	0-10 V, 3-wire connection	0-10 V, 3-wire connection
Minimum load	10 kΩ	10 kΩ
Short-circuit protection	Yes	Yes
Operating Temperature	-20 to +70 °C / -4 to +158 °F	-20 to +70 °C / -4 to +158 °F
Linearization	Temperature linear output	Temperature linear output
Galvanic isolation	No	No
Power Supply	15 to 30 VDC (polarity protected)	15 to 30 VDC (polarity protected)
Current consumption	12 mA	12 mA
Typical accuracy	±0.15 % of temperature span	±0.15 % of temperature span
Mounting	Rail acc. to DIN EN50022, 35 mm	Rail acc. to DIN EN50022, 35 mm

¹⁾IEC 60751, α=0.00385

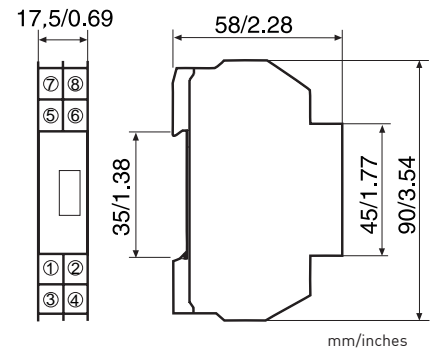
Input connections



Output & power supply connections



Dimensions



Ordering information

APAQ-3LPT (Pt100)	70AP3L0001
APAQ-3LPT (Pt1000)	70AP3L0002
Configuration	70CAL00001