

## Application



The general purpose flow controller accepts one flow sensor input, and provides one 16A relay for low-flow pump or process protection. The optional flash alarm brings attention to low-flow alarm conditions. Package this flow controller with our liquid or gas flow switch sensors.



## Features

- ✓ Fail-safe relay control of pumps or valves with 0-60 second delay
- ✓ Optional strobe brings immediate attention to flow alarm conditions
- ✓ Polypropylene enclosure rated NEMA 4X with swivel base for conduit alignment
- ✓ Easy setup with LED indicators for sensor, power and relay status
- ✓ Invert switch changes relay state from NO to NC without rewiring
- ✓ Compatible with Flowline liquid and gas flow switch sensors

## Key Benefits

- ✓ Connects to all Flowline flow switches (FT10/GT10)
- ✓ Mounts directly onto flow switch
- ✓ Switches load up to 10 Amps including valves, horns, and buzzers
- ✓ Ideal for chemical injection lines
- ✓ Optional visual alarm

## Compatible Products

### Thermo-Flo™ FT10/GT10 Liquid & Gas Flow Switch Sensors



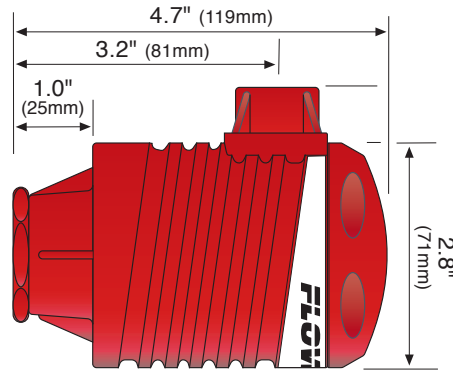
## Application

Offered in liquid and gas sensor types, the general purpose flow switch provides reliable low or no-flow detection of relatively clean, non-coating media with one 1A relay output. Liquid examples include water and acetic acid. Available in PP-Ryton® and PVDF, the short flow sensor is used in pipe or ducting from 1/2" to 1 1/2", and the long flow sensor is used in 2" and up. The flow switch set point may be adjusted from 0.04 to 3 fps in liquids, or 1 to 90 fps in gases as a low-flow alarm. The flow sensor is best applied in applications with relatively constant temperature.

### Specifications

- Supply voltage: 120 / 240 VAC, 50-60 Hz
- Consumption: 0.25A maximum
- Sensor input: (1) four-wire flow switch
- Sensor supply: 24 VDC @ 50 mA
- LED indication: Sensor, power & relay
- Strobe type: -10X1: N/A  
-10X2: Xenon tube
- Strobe flash: -10X1: N/A  
-10X2: (1) per second
- Contact type: (1) SPDT relay
- Contact rating: 250 VAC @ 16A
- Contact output: Selectable NO / NC
- Contact delay: 0-60 seconds
- Ambient temp.: F: -40° to 158°  
C: -40° to 70°
- Enclosure rating: NEMA 4X (IP65)
- Enclosure mat.: 10X1: PP, UL94VO  
10X2: PP, UL94VO & PC
- Conduit entrance: 1/2" NPT
- Enclosure mount: 3/4" NPT (3/4" Rp)
- Classification: General purpose
- Compliance: CE
- Approvals: CSA, LR 79326

### Dimensions



### Accessories



#### Strobe Alert

The controller with Strobe Alert configuration flashes when the relay is energized during a high or low level alarm condition.

### Ordering

LC30-10

**Enclosure mount**

- 0 NPT (US)
- 5 Rp (Metric)

**Configuration (1)**

- 1 Controller only
- 2 Controller with Strobe Alert

**Notes**

- 1) For a liquid tight cable connection, order the LM90-1001 connector.