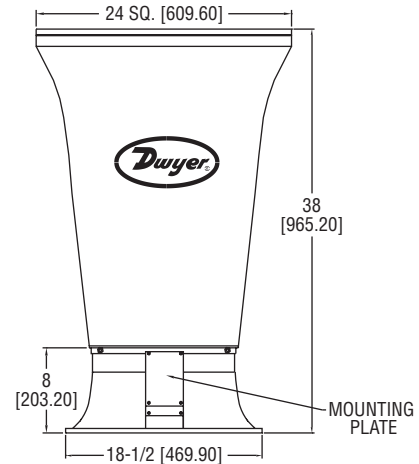


# AIR FLOW HOOD

Measures Volumetric Flow Rate with Highly Accurate Digital Manometer



Standard AFH2



Hood Frame Assembly

The **MODEL AFH2** Air Flow Hood maintains a running average of volumetric air flow measurements and provides the ability to manually record the measurements with the manometer over a given period of time. The highly accurate digital manometer has an auto-zero function and will auto-zero at user-defined intervals. In addition to these features, the unit will alert you when its battery is running low in order to avoid recording inaccurate measurements.

**FEATURES/BENEFITS**

- Highly durable and easy storage in included travel case
- No tools required to set up
- Digital manometer easily mounts to the flow hood or can be used as stand alone instrument

**APPLICATIONS**

- Measure volumetric air flow from diffusers, grilles, and registers

MODEL CHART	
Model	Description
AFH2	Air flow hood with 2' x 2' hood

SPECIFICATIONS
<b>Service:</b> Air.
<b>Volume Flow Rate Units:</b> CFM, l/s, m <sup>3</sup> /hr.
<b>Volume Flow Ranges:</b> Supply: CFM: 41 to 1176; l/s: 19 to 555; m <sup>3</sup> /hr: 69 to 2000; Exhaust: CFM: 45 to 1176; l/s: 21 to 555; m <sup>3</sup> /hr: 76 to 2000.
<b>Volume Flow Ranges with Low Flow Kit:</b> Supply: CFM: 25 to 1176; l/s: 12 to 555; m <sup>3</sup> /hr: 43 to 2000; Exhaust: CFM: 29 to 1176; l/s: 14 to 555; m <sup>3</sup> /hr: 49 to 2000.
<b>Accuracy @ 20°C (68°F):</b> Supply: ±3% of reading ±9 CFM (±4 l/s, 14 m <sup>3</sup> /hr); Exhaust: ±3% of reading ±9 CFM (±4 l/s, 14 m <sup>3</sup> /hr).
<b>Span Stability v. Temperature:</b> Better than 0.1% of range in use per 2°F (1°C).
<b>Zero System Accuracy:</b> ±1 count (±0.05 Pascal typical; ±0.0002 in w.c.).
<b>Temperature Limits:</b> Operating: 32 to 122°F (0 to 50°C); Storage: 23 to 122°F (-5 to 50°C).
<b>Thermal Effect:</b> ±0.1% of range in use per 2°F (1°C).
<b>Zero Drift:</b> Negligible due to auto zero system. When auto zero set at 30 second intervals (2 minute warm up).
<b>Orientation Effect:</b> Any 45 degree change 0.0004 in w.c. (0.1 pascal) typical.
<b>System Air Leak:</b> 0.366 in <sup>3</sup> /hr (0.1 ml/min) @ 20 in w.c. (5 kPa) typical.
<b>Maximum Differential Pressure:</b> 60 in w.c. (15 kPa).
<b>Auto Ranging Display:</b> 0.375" high digits.
<b>Resolution:</b> 1 CFM, 1 l/s, 1 m <sup>3</sup> /hr.
<b>Output:</b> RS-232 serial interface (baud rate 9600).
<b>Memory Capability:</b> 2500 readings in any engineering unit.
<b>Power Requirements:</b> 8.4 V NiMH battery, installed functional, user replaceable (optional 9 V alkaline battery may be used in place of rechargeable).
<b>Dimensions:</b> 30" x 24" x 24" (965 x 610 x 610 mm). Hood only: 2' x 2' (600 mm x 600 mm).
<b>Weight:</b> 8.8 lb (4 kg).
<b>Agency Approvals:</b> CE.

ACCESSORIES	
Model	Description
A-174	Low flow hood adapter kit
A-175	Hood adapter kit (required for use with below alternative hoods)
A-176	1' x 4' canvas hood
A-177	2' x 4' canvas hood
A-178	1' x 5' canvas hood
A-179	3' x 3' canvas hood
A-190	Software and cable



AFH2 with A-174 Low Flow Adapter



AFH2 Travel Case