

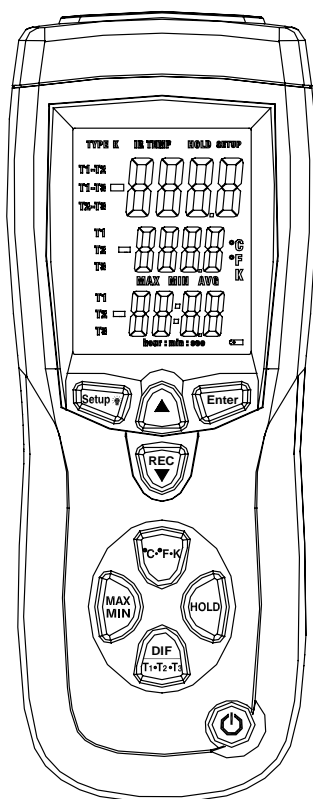
User Manual



Professional Thermocouple Thermometer with Dual Type K Inputs and Optional Infrared Wand

with NIST-Traceable Calibration

Model 20250-17



Introduction

The Digi-Sense Professional Thermocouple Thermometer (Model 20250-17) with Dual Type K Inputs and Optional Infrared Wand offers fast response and high accuracy. This heavy-duty meter works with two type K thermocouples and one optional infrared probe*. Advanced features include backlight, Max/Min/Avg readings, data Hold, and automatic power-off. The instrument is fully tested and calibrated to NIST-traceable standards. Careful use of this meter will provide years of reliable service.

Unpacking

Check individual parts against the list of items below. If anything is missing or damaged, please contact your instrument supplier immediately.


1. Meter
2. Two type K flexible probes
3. Carrying case
4. One 9 V battery
5. User manual
6. NIST-traceable calibration report with data

*Optional infrared wand (model 20250-24) must be ordered separately.

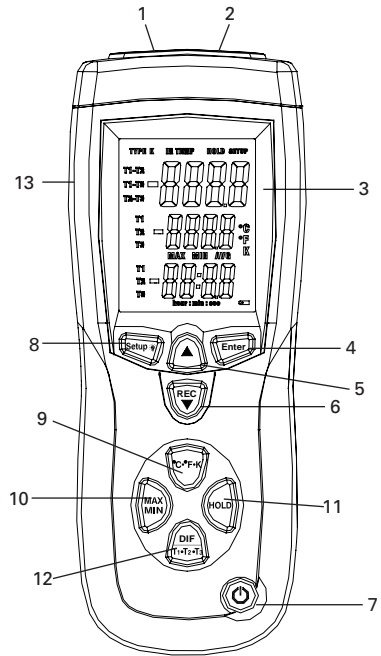
Key Features

- Large backlit display shows any combination of T1, T2, T3, T1–T2, T1–T3, T2–T3; plus Max, Min, and Avg readings
- Relative time clock on Max/Min/ Avg provides a time reference for major events
- Electronic Offset function allows compensation of thermocouple errors to maximize overall accuracy
- User-selectable readout in °C, °F, or Kelvin (K)
- 0.1°C / 0.1°F / 0.1 K resolution
- Scan function (T1, T2, T3, T1–T2, etc.)
- Automatic power-off (sleep) mode to conserve battery life
- Accepts a wide variety of thermocouple type K probes

Meter Description

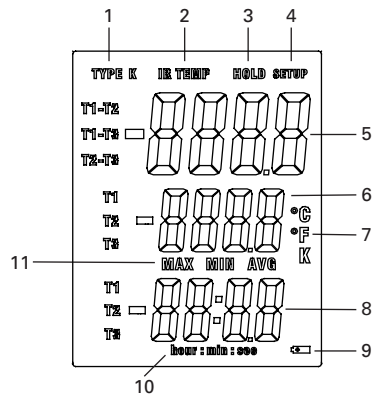
1. Thermocouple type K (T1) input
2. Thermocouple type K (T2) input
3. LCD
4. **Enter** button
5. **Up ▲** button
6. **Down ▼** button
7. **Power on/off** button
8. **Setup** /  **Backlight** button
9. **°C/°F/K** button
10. **MAX/MIN** button
11. **HOLD** button
12. **DIF/T1–T2–T3** button
13. IR (T3) input*

*Optional infrared wand (model 20250-24) must be ordered separately.



Display Layout

1. Thermocouple TYPE K icon
2. Infrared IR TEMP icon (requires Optional IR wand sku number 20250-24)
3. Data HOLD icon
4. SETUP mode icon
5. Primary temperature display (T1, T2, T3, T1–T2, T1–T3, or T2–T3 reading)
6. Secondary display (Max, Min, Avg, or offset T1, T2, T3 reading)
7. Temperature unit icons (°C, °F, K)
8. Tertiary display (elapsed time or T1, T2, T3 reading)
9. Low-battery indicator
10. Elapsed time (hour:min or min:sec)
11. MAX, MIN, AVG icons



Setup and Operation

1. Press the **Power on/off** button to turn unit on.

Using Thermocouple Input(s)

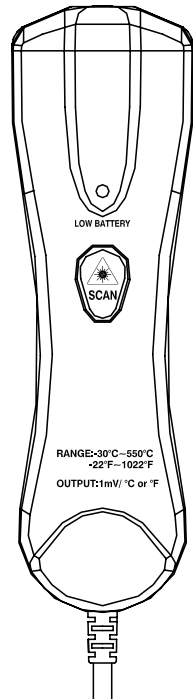
1. Plug the type K thermocouples into the T1 and T2 input connectors.
2. After one second the thermometer displays the first readings (T1 on upper display, T2 on secondary display). If no thermocouple is plugged into the selected input or the thermocouple is not properly connected, the display will show "- - -". If the temperature being measured is outside the unit's valid range, the display will show "**OL**" (overload).

Using Infrared Input

1. Purchase optional infrared wand (model 20250-24).
2. Plug the IR wand into the T3 (IR) input connector. "**T3 - - -**" will show on screen. If the IR wand is not connected, "**T3 - - -**" is not shown on the screen.
3. Press the **SCAN** button on the IR wand to begin measuring. The IR (T3) measurement is shown on the tertiary display.

Displaying Temperatures

1. Press **°C/°F/K** button to select desired temperature unit: Celsius (°C), Fahrenheit (°F), or Kelvin (K).
2. As a default, the T1 temperature reading appears in the primary display, the T2 reading in the secondary display, the T3 reading in the tertiary display.
3. Use the **DIF/T1-T2-T3** button to toggle between showing the T1 (type K), T2 (type K), T3 (infrared), T1-T2, T1-T3, T2-T3 (temperature differentials) measurement in the primary, secondary, or tertiary display.



Optional IR wand
(model 20250-24)

Hold Function

1. Press **HOLD** button to freeze the readings on the display. The screen shows the **HOLD** icon.
2. Use the **DIF/T1–T2–T3** button to toggle between showing the T1 (type K), T2 (type K), T3 (infrared), and T1–T2, T1–T3, T2–T3 (temperature differentials) measurement in the primary, secondary, or tertiary display.
3. Press **HOLD** button again to turn off the HOLD function and resume measuring.

MAX, MIN, and AVG Function

1. Press **MAX/MIN** button to step through the maximum (MAX), minimum (MIN), and average (AVG) readings. The elapsed time since entering Max/Min/Avg mode, or the time at which the minimum or maximum occurred, appears on the display.
2. Press and hold the **MAX/MIN** button for three seconds to exit the Max/Min/Avg mode and return to normal operation.

Backlight Function

Quickly press the **Setup/Backlight** button to turn the backlight on and off.

Setup Options

Use the Setup mode to change the temperature offset and sleep mode settings.

Note: Setup mode is disabled in Max, Min, and Avg modes.

Changing a Setup Option

1. Press and hold **Setup/Backlight** button for three seconds to enter or exit Setup mode. When the meter is in Setup mode, the display shows the **SETUP** icon.
2. Press **Up ▲** or **Down ▼** button to scroll to the setup option you want to change.
3. Press **ENTER** button to indicate that you want to change this setting.
4. Press **Up ▲** or **Down ▼** button until the setting you want to use appears on the display.
5. Press **ENTER** button to store the new setting into memory.

Offset Function

The primary display shows the temperature plus the offset and the secondary display shows the offset. You can store individual offsets for T1, T2, T3.

Use the Offset option in the Setup mode to adjust the thermometer's readings to compensate for the errors of a specific thermocouple and IR temperature. The allowable adjustment range is $\pm 9.0^{\circ}\text{F}$ or $\pm 5.0^{\circ}\text{C}$.

1. Plug the thermocouple into the T1 input connector.
2. Place the thermocouple in a known, stable temperature environment (such as an ice dry well calibrator).
3. Allow the readings to stabilize.
4. While in Setup mode, press the **Up ▲** or **Down ▼** button to scroll to the "T1" screen.
5. Press **Enter** button to access the setting.
6. Use the **Up ▲** and **Down ▼** buttons to change the offset value until the primary reading matches the calibration temperature.
7. Press **ENTER** button to store the new setting into memory.

Changing the Auto Power-Off (APO) Mode

The meter's default mode is to automatically shut off after 20 minutes of non-use. To disable the auto power-off mode, enter the Setup mode.

1. While in Setup mode, press **Up ▲** or **Down ▼** button to scroll to the "SLP" screen.
2. Press **ENTER** button to display "On."
3. Use the **Up ▲** or **Down ▼** buttons to toggle between "On" (sleep mode on) or "Off" (sleep mode off).
4. Press **ENTER** button to store the new setting into memory.
5. **Note:** Meter defaults back to "On" once meter is powered off.

Specifications

Range	
Temperature, external type K thermocouple	-328 to 2501°F (-200 to 1372°C)
Resolution	
Temperature display	0.1 (<1000) or 1 (≥1000)
Accuracy	
T1, T2 (T/C)	±[0.15% reading + 1.8°F (1°C)] above -148°F (-100°C) ±[0.5% reading + 3.6°F (2°C)] below -148°F (-100°C)
T1-T2 (T/C)	±[0.5% reading + 1.8°F (1°C)]
T3 (IR)	±[2.0% reading + 3.6°F (2°C)]
T1 (T/C) – T3 (IR)	±[2.0% reading + 5.4°F (3°C)]
T2 (T/C) – T3 (IR)	±[2.0% reading + 5.4°F (3°C)]

Auto power-off	Unit shuts off automatically after 20 minutes to preserve battery life
Operating temperature	32 to 122°F (0 to 50°C)
Storage temperature	14 to 122°F (-10 to 50°C)
Weight	9.8 oz (280 g)
Dimensions	8" x 3" x 2" (20.1 x 7.5 x 5 cm)
Power	One 9 V battery

Optional Infrared Wand (Model 20250-24)

Temperature range	-31 to 1022°F (-35 to 550°C)
Resolution	1 mV per °F/°C
Basic accuracy	±2% or ±4°F (2°C)
Response time	Less than 500 ms
Optical resolution (Distance-to-Spot ratio)	8:1
Plug diameter	Banana plug: 0.16" (4 mm)
Dimension	6½" x 2" x 1½" (16.4 x 5 x 4 cm)
Power	One 9 V battery

Maintenance, Recalibration, and Repair

Cleaning and storage

- The meter should be cleaned with a damp cloth and mild detergent when necessary. Do not use solvents or abrasives.
- Store the meter in an area within the storage range indicated in the Specifications on page 7.

Battery Replacement

When the battery power falls low, the low-battery icon will appear on the screen. Replace the 9 V battery in the rear battery compartment by removing the cover. Ensure that the cover is securely refastened when finished.

It is recommended that Digi-Sense products are calibrated annually to ensure proper function and accurate measurements; however, your quality system or regulatory body may require more frequent calibrations.

For Product and Ordering Information, Contact:

Contact:
Industrial Process Measurement, Inc.
3910 Park Avenue, Unit 7
Edison, NJ 08820
732-632-6400
support@instrumentation2000.com
<http://www.instrumentation2000.com>