

# HIGH PERFORMANCE MIDI HINGED CURRENT TRANSFORMERS

## 100A



The hinged "Midi" CTs are high performance, medium amperage, hinged current transformers. Use for current measurement, energy metering, load surveys, demand metering, energy research, and submetering.



### KEY SPECIFICATIONS

Window Size	25 mm (1.0")
Current Range	1 - 200A AC
Output	333 mV @ 100 A AC 3.33 mV/A AC
Ratio Error*	<0.3% from 1.0 A to 200 A AC (typical)
Phase Error*	<0.5° from 1.0 A to 200 A AC

\* For maximum performance, keep CT contact surfaces wiped clean and free of debris.

### ELECTRICAL

Output	333 mV @ 100 A
Wire Polarity	White = Hi, positive (+) Black = Low, negative (-)
Phasing	Arrow On Case Points Toward Load
Orientation	Toward Load
Frequency Range	50 to 400 Hz

### MECHANICAL

Case Material	White Nylon, UL 94 V-0
Leads	600V, 22 gage
Operating Temperature	-15 to 60°C (5 to 140°F)
Storage Temperature	-20 to 85°C (-4 to 185°F)

### SAFETY

Working Voltage	600 VAC, Category III
Dielectric Strength	5200 VAC for 1 minute
Safety Standards	UL STD 61010-1 CAN/CSA STD C22.2 No. 61010-1



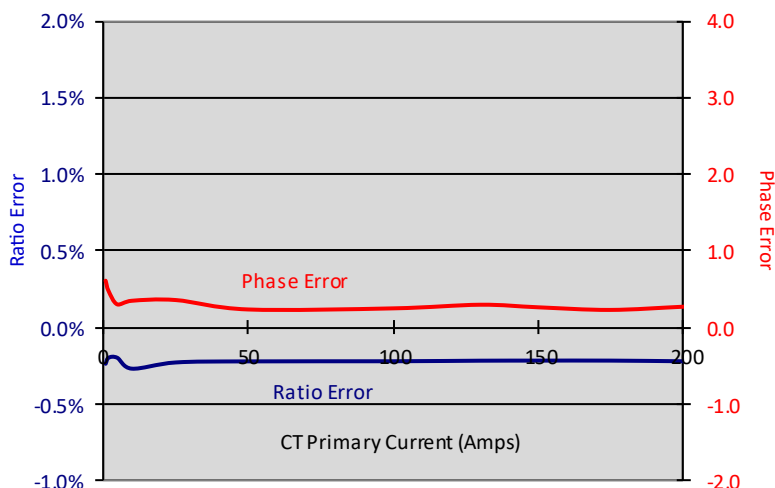
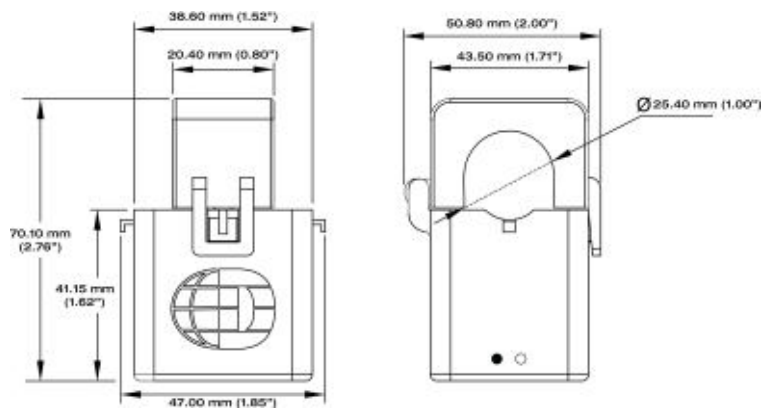
### PART NUMBERS

	3 M Leads	7 M Leads
100A Midi Hinged CT	CT-HMC-100-U	CT-HMC-100-U-7M

### CONTACT US

DENT Instruments, Inc.  
Energy & Power Measurement Solutions

Contact:  
Industrial Process Measurement, Inc.  
3910 Park Ave, Unit #7  
Edison, NJ 08820 USA  
(732) 632-6400  
support@instrumentation2000.com  
<https://www.instrumentation2000.com/>



All specifications contained in this document are subject to change without notice.  
© DENT INSTRUMENTS, INC.  
rev 030119