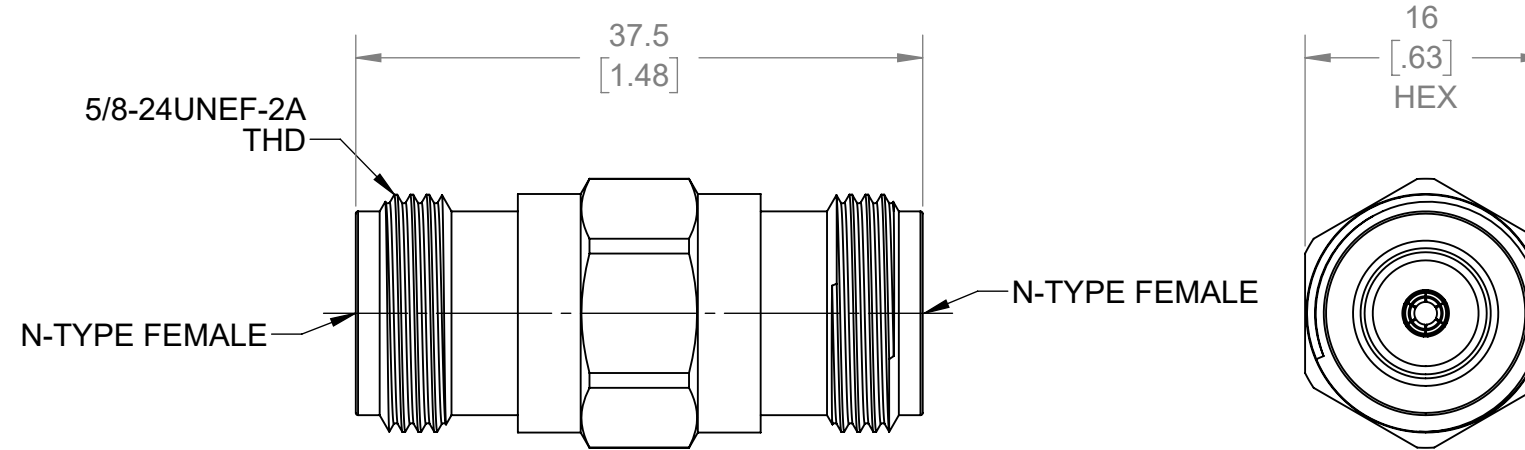


THIS IS ISSUED IN STRICT CONFIDENCE THAT IT IS NOT USED AS A BASIS FOR MANUFACTURE OR SALE AND THAT IT IS NOT COPIED, REPRINTED OR DISCLOSED TO A THIRD PARTY EITHER WHOLLY OR IN PART WITHOUT THE PRIOR WRITTEN CONSENT OF CAL TEST ELECTRONICS, INC.

REVISIONS			
REV.	DESCRIPTION	DATE	APPROVED
A	INITIAL RELEASE	7/22/2021	B. HANSEN

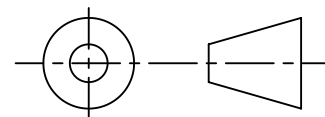
- NOTES:
- ALL SPECIFICATIONS SUBJECT TO CHANGE WITHOUT NOTICE.
  - ADAPTER TO MEET OR EXCEED ALL SPECIFICATIONS PER MIL-39012.
  - MATING DIMENSIONS IN ACCORDANCE WITH MIL-STD-348.
  - VSWR AND FREQUENCY RANGE SPECIFICATIONS ARE FOR REFERENCE AND ARE DEPENDANT ON CABLE TYPE AND OTHER APPLICATION SPECIFIC CONDITIONS.
  - MATERIAL:
    - BODY: STAINLESS STEEL, PASSIVATED
    - CENTER CONTACT: BeCu, GOLD PLATED
    - DIELECTRIC: PTFE
  - ELECTRICAL:
    - IMPEDANCE: 50 Ω
    - FREQUENCY: DC - 11 GHz
    - INSULATION RESISTANCE: 5,000 MΩ MIN @ SEA LEVEL
    - DIELECTRIC WITHSTANDING VOLTAGE: 1,000 V MAX
    - VSWR: ≤1.20:1 @ 11 GHz
    - INSERTION LOSS: 0.05 dB @ 9 GHz
  - MECHANICAL:
    - TEMPERATURE RANGE: -55°C TO +85°C
  - COUNTRY OF ORIGIN: CHINA
  - RoHS AND REACH COMPLIANT.



ISOMETRIC VIEW  
FULL SCALE

Contact:  
Industrial Process Measurement, Inc.  
3910 Park Avenue, Unit 7  
Edison, NJ 08820  
732-632-6400  
support@instrumentation2000.com  
<https://www.instrumentation2000.com/>


THIRD ANGLE PROJECTION



REFERENCE

CT3350A	IN-SERIES	IN-LINE
MODEL NUMBER	CONFIGURATION	NOTES / REFERENCE

MODEL NUMBER TABLE

UNLESS OTHERWISE SPECIFIED DIMENSIONS ARE IN MILLIMETERS TOLERANCES ARE: X.X = ±0.5 X.X* = ±0.5* X.XX = ±0.25 X.XXX = ±0.125 DO NOT SCALE DRAWING	PROJECT NO. <b>A598</b>		<b>METRIC</b>  <b>ADAPTER, N-TYPE FEMALE TO N-TYPE FEMALE, 50 Ω, INSTRUMENT GRADE</b>
	APPROVALS	DATE	
MATERIAL SEE NOTES	DRAWN WDH	7/22/2021	TITLE
TREATMENT N/A	CHECKER		
FINISH SEE NOTES	ENGR. B. HANSEN	7/7/2021	SIZE <b>B</b>
	DESIGN ACTIVITY		CAGE CODE <b>43F45</b>
			DWG. NO. <b>CT3350A</b>
			REV. <b>A</b>
			SCALE <b>2:1</b>
			SHEET <b>1 OF 1</b>