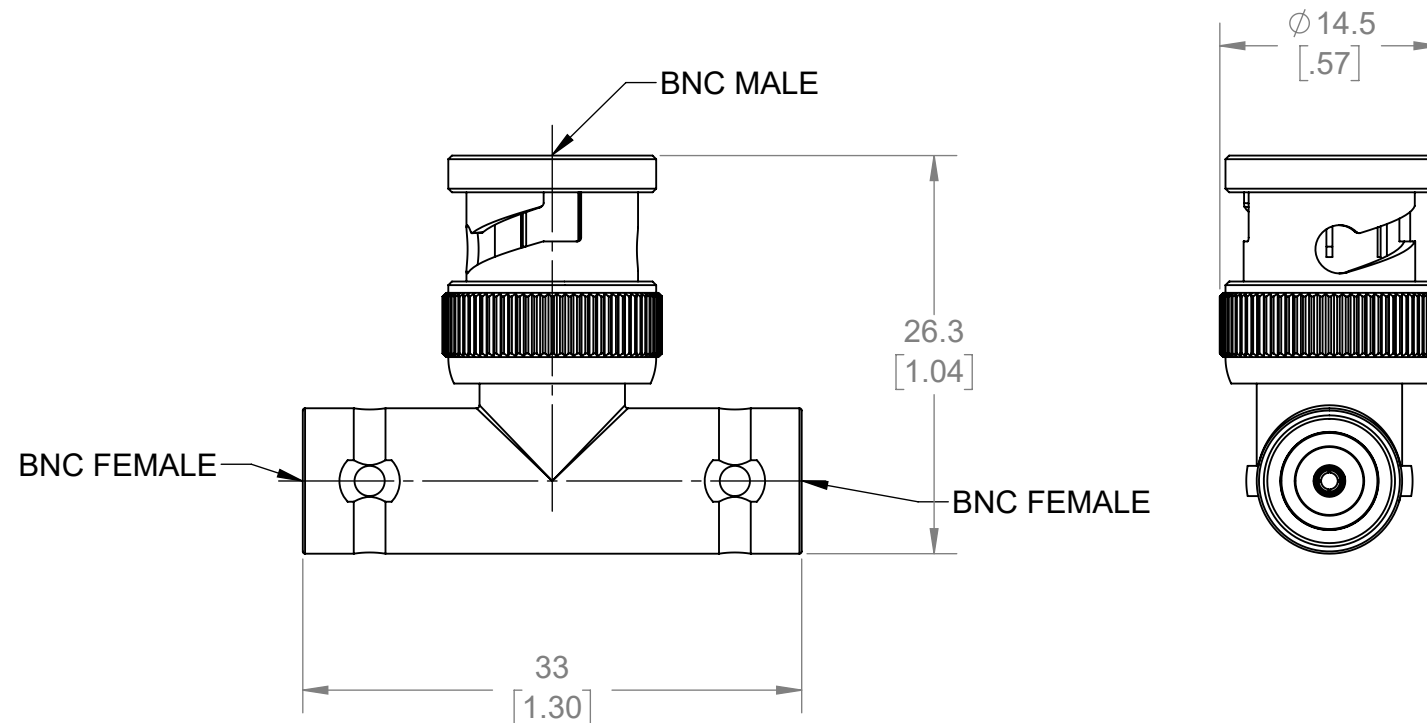


THIS IS ISSUED IN STRICT CONFIDENCE THAT IT IS NOT USED AS A BASIS FOR MANUFACTURE OR SALE AND THAT IT IS NOT COPIED, REPRINTED OR DISCLOSED TO A THIRD PARTY EITHER WHOLLY OR IN PART WITHOUT THE PRIOR WRITTEN CONSENT OF CAL TEST ELECTRONICS, INC.

NOTES:

1. ALL SPECIFICATIONS SUBJECT TO CHANGE WITHOUT NOTICE.
2. ADAPTER TO MEET OR EXCEED ALL SPECIFICATIONS PER MIL-39012.
3. MATING DIMENSIONS IN ACCORDANCE WITH MIL-STD-348.
4. VSWR AND FREQUENCY RANGE SPECIFICATIONS ARE FOR REFERENCE AND ARE DEPENDANT ON CABLE TYPE AND OTHER APPLICATION SPECIFIC CONDITIONS.
5. MATERIAL:
  - BODY: BRASS, WHITE BRONZE PLATED.
  - CENTER CONTACT: BeCu, GOLD PLATED
  - DIELECTRIC: PTFE
  - GASKET: SILICONE RUBBER
6. ELECTRICAL:
  - IMPEDANCE: 50 Ω
  - FREQUENCY: DC - 3 GHz
  - INSULATION RESISTANCE: 5,000 MΩ MIN
  - DIELECTRIC WITHSTANDING VOLTAGE: 1,000 V MAX @ SEA LEVEL
7. MECHANICAL:
  - TEMPERATURE RANGE: -45°C TO +85°C
8. COUNTRY OF ORIGIN: CHINA
9. RoHS AND REACH COMPLIANT.

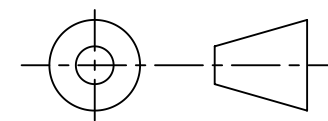
| REVISIONS |                 |           |           |
|-----------|-----------------|-----------|-----------|
| REV.      | DESCRIPTION     | DATE      | APPROVED  |
| A         | INITIAL RELEASE | 7/26/2021 | B. HANSEN |



ISOMETRIC VIEW  
FULL SCALE

Contact:  
Industrial Process Measurement, Inc.  
3910 Park Avenue, Unit 7  
Edison, NJ 08820  
732-632-6400  
support@instrumentation2000.com  
<https://www.instrumentation2000.com/>

THIRD ANGLE PROJECTION



REFERENCE

|              |               |                   |
|--------------|---------------|-------------------|
| CT3341A      | IN-SERIES     | TEE               |
| MODEL NUMBER | CONFIGURATION | NOTES / REFERENCE |

MODEL NUMBER TABLE

|   |                 |           |  |               |
|---|-----------------|-----------|--|---------------|
| UNLESS OTHERWISE SPECIFIED DIMENSIONS ARE IN MILLIMETERS TOLERANCES ARE:<br>X.X = ±0.5 X.X* = ±0.5*<br>X.XX = ±0.25<br>X.XXX = ±0.125<br>DO NOT SCALE DRAWING | PROJECT NO.     | A598      |  | <b>METRIC</b> |
|   | APPROVALS       | DATE      | TITLE  |               |
| MATERIAL  | DRAWN           | 7/26/2021 | ADAPTER, BNC TEE, FEMALE TO MALE TO FEMALE, 50 Ω, INSTRUMENT GRADE |               |
| SEE NOTES   | CHECKER         |           | SIZE   | CAGE CODE     |
| TREATMENT   | ENGR.           | 7/26/2021 | B  | 43F45         |
| N/A   | DESIGN ACTIVITY |           | DWG. NO.   | CT3341A       |
| FINISH  |                 |           | SCALE  | 2:1           |
| SEE NOTES   |                 |           | SHEET  | 1 OF 1        |