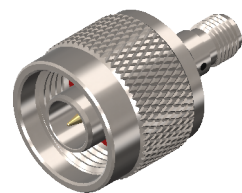
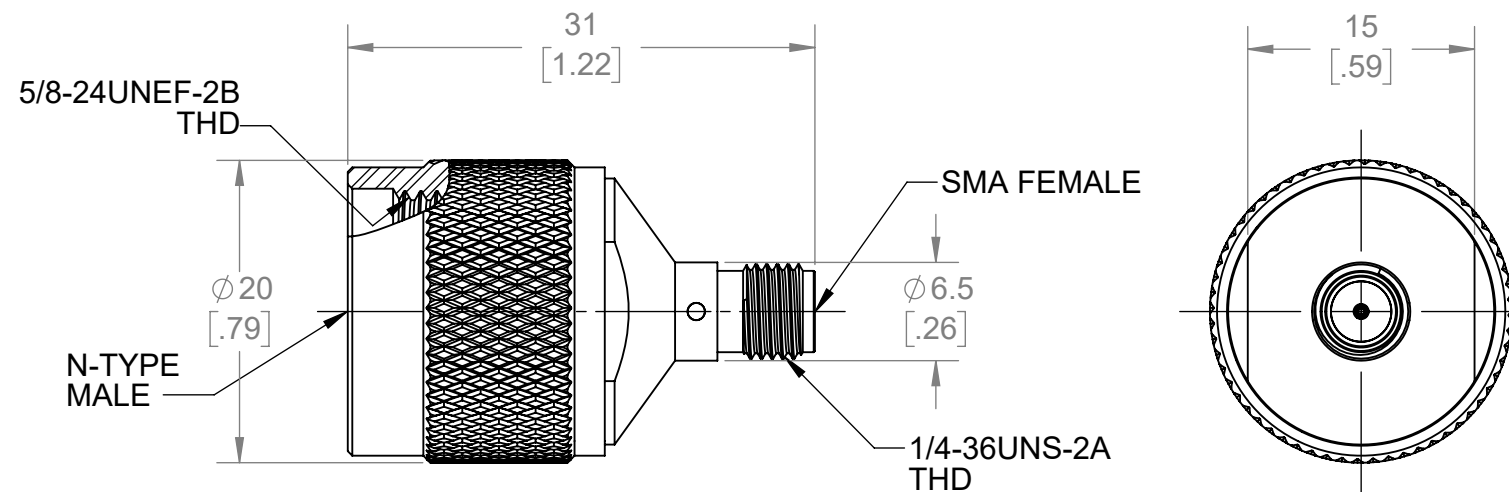


THIS IS ISSUED IN STRICT CONFIDENCE THAT IT IS NOT USED AS A BASIS FOR MANUFACTURE OR SALE AND THAT IT IS NOT COPIED, REPRINTED OR DISCLOSED TO A THIRD PARTY EITHER WHOLLY OR IN PART WITHOUT THE PRIOR WRITTEN CONSENT OF CAL TEST ELECTRONICS, INC.

| REVISIONS | | | |
|-----------|-----------------|----------|-----------|
| REV. | DESCRIPTION | DATE | APPROVED |
| A | INITIAL RELEASE | 7/7/2021 | B. HANSEN |

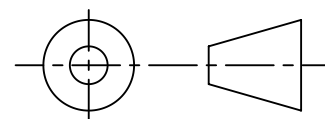
- NOTES:**
- ALL SPECIFICATIONS SUBJECT TO CHANGE WITHOUT NOTICE.
 - ADAPTER TO MEET OR EXCEED ALL SPECIFICATIONS PER MIL-39012.
 - MATING DIMENSIONS IN ACCORDANCE WITH MIL-STD-348.
 - VSWR AND FREQUENCY RANGE SPECIFICATIONS ARE FOR REFERENCE AND ARE DEPENDANT ON CABLE TYPE AND OTHER APPLICATION SPECIFIC CONDITIONS.
 - MATERIAL:**
 - BODY AND COUPLING NUT: STAINLESS STEEL, PASSIVATED
 - CENTER CONTACT: BeCu, GOLD PLATED
 - DIELECTRIC: PTFE
 - GASKET: SILICONE RUBBER
 - ELECTRICAL:**
 - IMPEDANCE: 50 Ω
 - FREQUENCY: DC - 18 GHz
 - CONTACT CURRENT: DC 2.0 A MAX
 - WORKING VOLTAGE: 480 Vrms
 - INSERTION LOSS: $\leq 0.03 \times \sqrt{f(\text{GHz})}$ dB
 - POWER HANDLING: $\leq 200 \text{ W @ 2 GHz @ } 20^\circ\text{C, SEA LEVEL, VSWR } 1.0$
 - VSWR: 1.20:1 @ DC - 18 GHz
 - RF LEAKAGE: $\geq 100 \text{ dB TO } 1 \text{ GHz}$
 - MECHANICAL:**
 - RECOMMENDED TORQUE: 0.7 Nm TO 1.1 Nm
 - TEMPERATURE RANGE: $-55^\circ\text{C TO } +125^\circ\text{C}$
 - COUNTRY OF ORIGIN: S. KOREA
 - RoHS AND REACH COMPLIANT.



ISOMETRIC VIEW
FULL SCALE

Contact:
Industrial Process Measurement, Inc.
3910 Park Avenue, Unit 7
Edison, NJ 08820
732-632-6400
support@instrumentation2000.com
<https://www.instrumentation2000.com/>


THIRD ANGLE PROJECTION



REFERENCE

| | | |
|--------------|----------------|-------------------|
| CT3320A | BETWEEN-SERIES | IN-LINE |
| MODEL NUMBER | CONFIGURATION | NOTES / REFERENCE |

MODEL NUMBER TABLE

| | | | | | | | |
|--|-----------------|-----------|----------|---|--------------|----------------|----------|
| UNLESS OTHERWISE SPECIFIED DIMENSIONS ARE IN MILLIMETERS TOLERANCES ARE: X.X = ±0.5 X.X* = ±0.5* X.XX = ±0.25 X.XXX = ±0.125 DO NOT SCALE DRAWING | PROJECT NO. | A598 | | METRIC  | | | |
| | APPROVALS | DATE | TITLE | | | | |
| MATERIAL | DRAWN | WDH | 7/7/2021 | ADAPTER, N-TYPE MALE TO SMA FEMALE, 50 Ω, INSTRUMENT GRADE | | | |
| SEE NOTES | CHECKER | | | | | | |
| TREATMENT | ENGR. | B. HANSEN | 7/7/2021 | SIZE | CAGE CODE | DWG. NO. | REV. |
| N/A | DESIGN ACTIVITY | | | B | 43F45 | CT3320A | A |
| FINISH | | | | SCALE | SHEET | | |
| SEE NOTES | | | | 2:1 | 1 OF 1 | | |