

# INSTRUCTION MANUAL

MANUAL DE INSTRUCCIONES

**BK PRECISION**

**MODEL 4010A**

MODELO 4010A



## 2 MHz FUNCTION GENERATOR

2MHz GENERADOR  
DE FUNCIONES

**BK PRECISION®**

---

## TEST INSTRUMENT SAFETY

---

### WARNING

Normal use of test equipment exposes you to a certain amount of danger from electrical shock because testing must sometimes be performed where exposed voltage is present. An electrical shock causing 10 milliamps of current to pass through the heart will stop most human heartbeats. Voltage as low as 35 volts dc or ac rms should be considered dangerous and hazardous since it can produce a lethal current under certain conditions. Higher voltages pose an even greater threat because such voltage can more easily produce a lethal current. Your normal work habits should include all accepted practices to prevent contact with exposed high voltage, and to steer current away from your heart in case of accidental contact with a high voltage. You will significantly reduce the risk factor if you know and observe the following safety precautions:

1. Don't expose high voltage needlessly. Remove housings and covers only when necessary. Turn off equipment while making test connections in high-voltage circuits. Discharge high-voltage capacitors after removing power.
2. If possible, familiarize yourself with the equipment being tested and the location of its high voltage points. However, remember that high voltage may appear at unexpected points in defective equipment.
3. Use an insulated floor material or a large, insulated floor mat to stand on, and an insulated work surface on which to place equipment; and make certain such surfaces are not damp or wet.
4. Use the time proven "one hand in the pocket" technique while handling an instrument probe. Be particularly careful to avoid contacting a nearby metal object that could provide a good ground return path.
5. When testing ac powered equipment, remember that ac line voltage is usually present on some power input circuits such as the on-off switch, fuses, power transformer, etc. any time the equipment is connected to an ac outlet, even if the equipment is turned off.

(continued on inside back cover)

**Instruction Manual  
for  
MODEL 4010A  
  
2 MHz  
FUNCTION  
GENERATOR**

***BK PRECISION®***

22820 Savi Ranch Parkway  
Yorba Linda, CA 92887  
[www.bkprecision.com](http://www.bkprecision.com)

---

## TABLE OF CONTENTS

---

	page		page
TEST INSTRUMENT SAFETY .....	inside front cover	MAINTENANCE .....	15
INTRODUCTION .....	5	Fuse Replacement .....	15
SPECIFICATIONS.....	6	Function Generator Guidebook .....	15
CONTROLS AND INDICATORS .....	8	CUSTOMER SUPPORT .....	16
OPERATING INSTRUCTIONS .....	10	SERVICE INFORMATION .....	17
Frequency and Waveform Selection .....	10	LIMITED TWO-YEAR WARRANTY .....	18
Considerations .....	11	SPANISH MANUAL.....	20
Duty Cycle Control .....	12		
TTL/CMOS Output .....	13		
Voltage Controlled Frequency Operation.....	13		
Output Protection Considerations .....	14		
Function Generator Applications Guidebook .....	14		

---

## INTRODUCTION

---

The **B+K Precision** Model 4010A Function Generator is a versatile signal source which combines several functions into one unit. A calibrated dial provides frequency accuracy within 5%. High stability assures that the output frequency does not drift.

The heart of the function generator is a VCG (voltage-controlled generator) that produces precision sine, square, or triangle waves over the 0.2 Hz to 2 MHz range. This encompasses subaudible, audio, ultrasonic, and RF applications. A continuously variable dc offset allows the output to be injected directly into circuits at the correct bias level.

Variable symmetry of the output waveform converts the instrument to a pulse generator capable of generating rectangular waves or pulses, ramp or sawtooth waves, and slewed sine waves.

In addition to the above features, an external signal may be used to sweep the output frequency or control operating frequency. This is useful in situations where an externally controlled frequency is desirable.

With this versatility, the unit has a vast number of applications in both analog and digital electronics in the engineering, manufacturing, servicing, educational, and hobbyist fields.

---

## SPECIFICATIONS

---

### FREQUENCY CHARACTERISTICS

#### Waveforms

Sine, Square, Triangle,  $\pm$  Pulse,  $\pm$  Ramp

#### Range

0.2 Hz to 2 MHz in 7 ranges

#### Dial Accuracy

$\pm 5\%$

#### Tuning Range

10:1

#### Variable Duty Cycle

15:85:15 Continuously Variable

#### Operating Modes

Normal, VCG (Voltage Controlled Generator)

### OUTPUT CHARACTERISTICS

#### Impedance

50  $\Omega$   $\pm 10\%$

#### Level

20 V p-p Open-circuit, 10 V p-p into 50 $\Omega$

#### Amplitude Control

Variable, 20 dB range typical

#### Attenuation

-20 dB  $\pm 1$  dB

#### DC Offset

Preset:  $\pm 0.1$  V typical

Variable:  $\pm 10$  V open-circuit,  $\pm 5$  V into 50  $\Omega$

### SINE WAVE

#### Distortion

4% typical at 1 kHz

#### Flatness

$\pm 5\%$  (0.45 dB)

### SQUARE WAVE

#### Symmetry

$\leq 2\%$  0.2 Hz to 100 kHz

#### Rise Time

$\leq 120$  nS

### TRIANGLE WAVE

#### Linearity

$\geq 98\%$  to 100 kHz

---

## SPECIFICATIONS

---

### TTL OUTPUT

Level	0.8 V to 2.4 V
Rise Time	$\leq 20$ nS
Duty Cycle	50% typical

### CMOS OUTPUT

Level	4 V to 14 V $\pm 0.5$ V p-p,
Continuously Variable	
Rise Time	$\leq 50$ nS

### VCG (Voltage Controlled Generator) INPUT

Input Voltage	
	0 - 10 V $\pm 1$ V causes a 100:1 frequency change
Impedance	
	10 k $\Omega$ $\pm 5\%$

### AC INPUT

120 / 230 VAC  $\pm 10\%$ , 50 / 60 Hz, internal jumper selectable

### DIMENSIONS (H x W x D)

4 1/2" x 10 1/2" x 12 1/4" (26.7cm x 11.4cm x 31.1cm)

### WEIGHT

4.1 lb. (1.845 kg.)

### ACCESSORIES

Instruction Manual  
Output Cable, BNC to Alligator Clips

**NOTE:** Specifications and information are subject to change without notice. Please visit [www.bkprecision.com](http://www.bkprecision.com) for the most current product information.

---

## CONTROLS AND INDICATORS

---

### FRONT PANEL (Refer to Fig. 1)

1. **POWER Switch.** Turns power on and off.
2. **RANGE Switch.** Selects output frequency range. Seven ranges from 2 Hz to 2 MHz. Switch indicates maximum frequency of range and is adjusted with FREQUENCY control to 0.1 times the maximum. For example, if the 200 kHz range is selected, the output frequency can be adjusted from 20 kHz to 200 kHz.
3. **FUNCTION Switch.** Selects sine, square, or triangle waveform at OUTPUT jack.
4. **OUTPUT LEVEL Control.** Controls the amplitude of the signal at the OUTPUT jack. Output level can be decreased by approximately 20 dB with this control.
5. **DC OFFSET Control.** Enabled by the DC OFFSET Switch (12). Clockwise rotation from center changes the DC offset in a positive direction while counterclockwise rotation from center changes the DC offset in a negative direction.
6. **OUTPUT Jack.** Waveform selected by FUNCTION switch as well as the superimposed DC OFFSET voltage is available at this jack.
7. **TTL/CMOS Jack.** TTL or CMOS square wave, depending on the position of the CMOS LEVEL switch (13) is output at this jack. This output is independent of the OUTPUT LEVEL and DC OFFSET controls.
8. **CMOS LEVEL Control.** Rotating this control clockwise increases the amplitude of the CMOS square wave at the TTL/CMOS jack.
9. **VCG Jack.** Voltage Controlled Generator input. Permits external control of generator output frequency by a DC voltage input at this jack. A positive voltage will decrease frequency.
10. **DUTY CYCLE Control.** Enabled by the DUTY CYCLE Switch (14). Rotation from center position adjusts the duty cycle of the main OUTPUT signal.
11. **-20 dB Switch.** When engaged, the signal at the OUTPUT jack is attenuated by 20 dB.
12. **DC OFFSET Switch.** When engaged, enables operation of the DC OFFSET control (5).
13. **CMOS LEVEL Switch.** When engaged, changes the TTL signal to CMOS signal at the TTL/CMOS jack.
14. **DUTY CYCLE Switch.** When engaged, enables operation of DUTY CYCLE control (10).
15. **FREQUENCY Control.** Adjustment of the output frequency from 0.1 to 1 times the selected range.
16. **INV.** Allows the user to invert the polarity of the normal output signal.





---

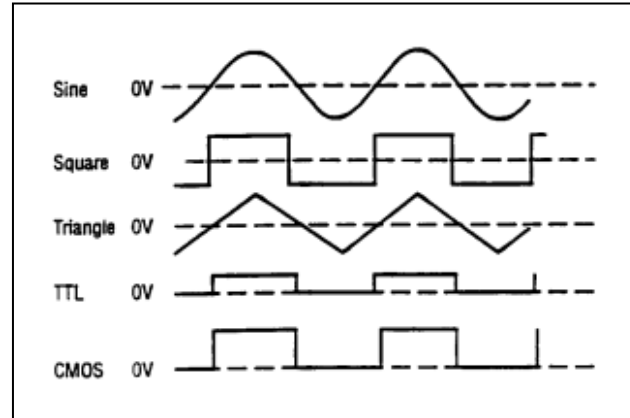
## OPERATING INSTRUCTIONS

---

The **B+K Precision** Model 4010A Function Generator is a versatile instrument, capable of producing a variety of output waveforms over a broad range of frequencies. To gain a working familiarity with the unit, it is recommended that it be connected initially to an oscilloscope, so that the effects of the various controls on the output waveforms can be observed. Use this manual as required for reference until becoming accustomed to the operating procedures.

### FREQUENCY AND WAVEFORM SELECTION

1. Initially, verify that the **DUTY CYCLE** (14), **CMOS LEVEL** (13), **DC OFFSET** (12), **-20dB** (11) switches are in the **OUT** position (released). This will produce a symmetrical waveform unaffected by the other controls.
2. Plug the unit into an appropriate power source and turn it on by engaging the **POWER** switch (1).
3. Select the desired waveform (**SINE**, **SQUARE**, or **TRIANGLE**) by engaging one of the **FUNCTION** switches (3). Phase relationships of the waveforms are shown in Fig. 2.
4. Select the frequency of the waveform by engaging one of the **RANGE** switches (2).
5. Rotate the **FREQUENCY** control (15) to set the output frequency to the desired value. The frequency selected is available at the **OUTPUT** jack (6). In addition, a digital signal, either **TTL** or **CMOS** is available at the **TTL/CMOS** jack (7) (refer to the "TTL/CMOS OUTPUT" section of this manual).



**Figure 2. Output Waveform and Phase Relationship**

6. Adjust the amplitude of the output as desired using the **OUTPUT LEVEL** control (4). Rotation of this control varies the amplitude from maximum to 20 dB below maximum. An additional attenuation of -20 dB is available by pushing in the **-20dB** switch (11). The attenuation factors can be combined for a total of -40 dB. The maximum signal level is 10 V p-p (into 50  $\Omega$ ).

## OPERATING INSTRUCTIONS

7. A superimposed DC component can be added to the output signal by engaging the **DC OFFSET** switch (12) to enable operation of the **DC OFFSET** control (5). Rotation of this control adds a positive or negative DC component to the output signal. The DC component introduced is independent of the **OUTPUT LEVEL** control and can be varied by  $\pm 10$  volts open circuited or  $\pm 5$  volts into  $50\ \Omega$ . The DC Offset does not affect the **TTL/CMOS** output jack. The effect of DC OFFSET is shown in Fig. 3.

### CONSIDERATIONS

1. Counterclockwise rotation of the **FREQUENCY** control decreases the output frequency to approximately one-tenth of the maximum for the range selected (10:1). For example, if the **20K** range is selected and the **FREQUENCY** control is set to full counterclockwise (dial setting of .2), the output frequency is approximately 2 kHz.
2. Clockwise rotation of the **FREQUENCY** control increases the output frequency. At the fully clockwise setting (dial setting of 2.0), the output frequency will be equal to the **RANGE** selection. That is, when the **20K** range is selected and the dial is set to 2.0, the output will be 20 kHz.
3. When the dial is set to 1.0, the output frequency is one half of the maximum for the range selected. When the **20K** range is selected and the dial is set to 1.0, the output will be 10 kHz.
4. A more precise frequency setting may be achieved by connecting an external frequency counter to the TTL or output jack.
5. When outputting square waves or when using the TTL output, terminate the cable into  $50\ \Omega$  to minimize ringing. Also, keep cables as short as possible.

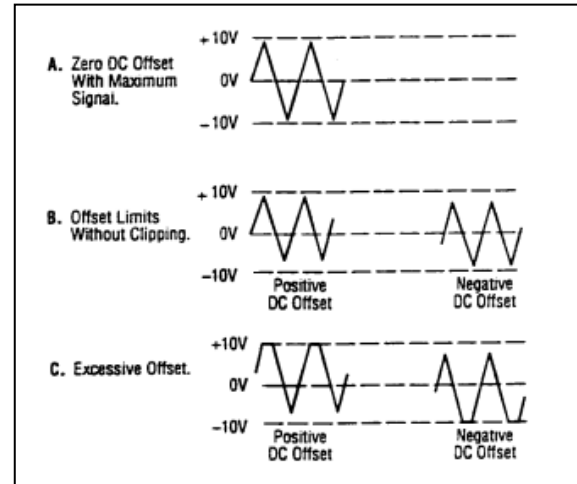


Figure 3. Use of DC OFFSET Control

6. Remember that the output signal swing of the generator is limited to  $\pm 10$  volts open circuited or  $\pm 5$  volts into  $50\ \Omega$ , and applies to the combined peak-to-peak signal and DC offset. Clipping occurs slightly above these levels. Fig. 3 illustrates the various operating conditions encountered when using the DC offset. If the desired output signal is large or if a large DC offset is required, an oscilloscope should be used to make sure that the desired signal is obtained without undesirable clipping.

## OPERATING INSTRUCTIONS

---

### DUTY CYCLE CONTROL

The **DUTY CYCLE** control can be used to alter the symmetry of the output waveform, to produce waveshapes such as those shown in Fig. 4. For a square wave, symmetry variation amounts to changing the duty cycle (ratio of "high" to "low" time), effectively converting the instrument into a pulse generator. For a triangle wave, the result is a ramp, and with a sine wave, a distorted waveshape called a slewed sine is produced. The Model 4010A provides for symmetry variation from 15% to 85%.

1. Select the waveform desired either SINE, SQUARE or TRIANGLE.
2. Engage the **DUTY CYCLE** switch (14) and adjust the **DUTY CYCLE** control (10) for the desired waveshape. Clockwise rotation from center results in an increase in square wave duty cycle, and changes the sine and triangle waves as shown in the top waveform of each pair of Fig. 4. Counter-clockwise rotation results in the bottom waveform in each pair.
3. Varying the duty cycle setting results in a slight change in frequency. Adjust the **FREQUENCY** control as required.

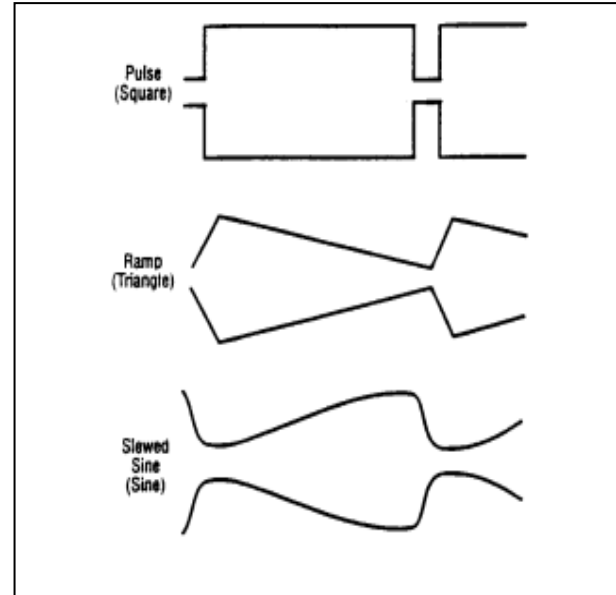


Figure 4. Effects of Symmetry Variation.

---

## OPERATING INSTRUCTIONS

---

### TTL/CMOS OUTPUT

The **TTL/CMOS** output jack provides a fast rise time square wave output. Either a fixed TTL or a variable CMOS output level is available. The output is positive with respect to ground and can be used as an external sync pulse for oscilloscopes or as a variable frequency signal source for exercising logic circuits. Because of the fast rise time of this output, cable length should be minimized to limit ringing and overshoot.

1. Select the desired frequency range and adjust the frequency controls as required. The **OUTPUT LEVEL** and **DC OFFSET** controls have no effect on the signal at the **TTL/CMOS** jack.
2. When the **CMOS LEVEL** switch (13) is OFF, a TTL signal is output at the **TTL/CMOS** jack. Select a CMOS signal by engaging the **CMOS LEVEL** switch and adjust the level of the signal by rotating the **CMOS LEVEL** control (8).

### VOLTAGE CONTROLLED FREQUENCY OPERATION

The Model 4010A can be operated as a voltage-controlled generator by using an external control voltage applied to the **VCG INPUT** jack. The externally applied voltage will vary the frequency which is preselected by the range switches and the frequency controls. Applying approximately +10 V with the **FREQUENCY** control at full clockwise decreases the output frequency by about 100 times (a 100:1 ratio).

1. . Select the desired frequency range and waveform.
2. Set the starting frequency with the **FREQUENCY** control. Apply a positive DC voltage to the **VCG INPUT** jack (9) to decrease the frequency. A voltage from 0 to +10 V will cause the frequency to decrease by a factor of 100 if the **FREQUENCY** control is set at maximum CW rotation. For example, if the starting frequency is 200 kHz, applying +10 V will change the output frequency to 2 kHz.

3. To operate the function generator as a sweep generator, apply a positive going ramp signal to the **VCG INPUT** jack. As the ramp voltage increases, the frequency decreases. The rate of sweep can be adjusted by varying the frequency of the ramp signal.
4. Specific frequencies can be selected by applying a fixed dc voltage to the **VCG INPUT** jack or the frequencies can be stepped by applying a stepped dc voltage.
5. Do not apply more than  $\pm 15$  volts (dc or dc + ac peak) to the **VCG INPUT** jack. Inputs of more than 15 volts will not cause any further shift in the frequency and could cause damage to the generator.

### OUTPUT PROTECTION CONSIDERATIONS

Use care when connecting the function generator output to a signal injection point. Excessive voltage at the point of signal injection of the function generator can cause internal damage. Under normal operation, the generator output should never be connected to an external voltage other than low dc values that can be matched with the **DC OFFSET** control. The Model 4010A is overload protected so that shorting the output, even continuously, will not cause damage. A fuse has been added in series with the **OUTPUT** jack to help protect the instrument from damage by connection to excessive external voltage.

Damage of this type usually occurs by accidentally connecting the output of the function generator to a voltage in the equipment under test. The following protective measures are strongly recommended:

1. The user should understand the equipment under test well enough to identify valid signal injection points (i.e.: the base of a transistor, a logic input of a gate, etc.). The voltage at valid signal injection points is rarely high enough to damage the instrument.

## OPERATING INSTRUCTIONS

---

2. If in doubt about the safety of a signal injection point, measure the voltage present at the intended point of signal injection before connecting the function generator output to that point.
3. When applying the main output of the function generator to a circuit point containing a dc level, adjust the **DC OFFSET** control so that the dc level at the main output matches the circuit voltage.
4. Connect the **TTL** output only to TTL-level circuits. Connect the **CMOS** output only to CMOS circuits. Measure the  $V_{cc}$  of the circuit under test and adjust the **CMOS LEVEL** control as instructed in the manual.
5. When the function generator is used by students or other inexperienced users, the circuit of Fig. 5 could be added into your TTL output probe or test clip set. It will protect the TTL output of the generator against external voltages up to  $\pm 20$  volts.

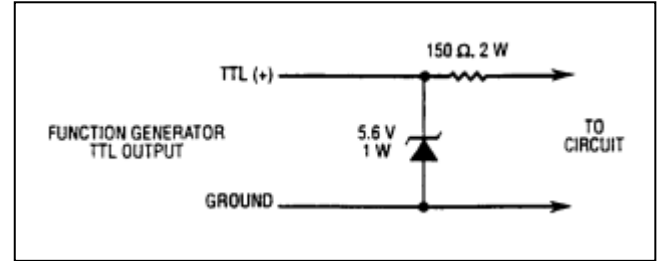


Figure 5. Circuit for Protection of TTL Output.

## FUNCTION GENERATOR APPLICATIONS GUIDEBOOK

**B+K Precision** offers a “Guidebook to Function Generators” which describes numerous applications for this instrument, including hook-up details. It also includes a glossary of function generator terminology and an explanation of function generator circuit operation. It may be downloaded for free off our website at [www.bkprecision.com](http://www.bkprecision.com).

---

## MAINTENANCE

---

### WARNING

*The following instructions are for use by qualified service personnel only. To avoid electrical shock, do not perform servicing other than contained in the operating instructions unless you are qualified to do so.*

*Remember that ac line voltage is present on line voltage input circuits any time the instrument is plugged into an ac outlet, even if turned off. Always unplug the function generator before performing service procedures.*

### FUSE REPLACEMENT

1. Locate the fuse holder on the input line receptacle.
2. Remove the fuse holder and replace the fuse with an equal value fuse

### INSTRUMENT REPAIR SERVICE

Because of the specialized skills and test equipment required for instrument repair and calibration, many customers prefer to rely upon **B+K PRECISION** for this service. We maintain a network of **B+K PRECISION** authorized service agencies for this purpose. To use this service, even if the instrument is no longer under warranty, follow the instructions given in the WARRANTY SERVICE INSTRUCTIONS portion of this manual. There is a nominal charge for instruments out of warranty.

### AC LINE SELECTION

This instrument can operate on 120 or 230 VAC source at 50 or 60 Hz. The internal jumper allows you to select the line voltage. Before connecting the power plug to an AC line outlet, be sure to check that voltage selector plug is set in the correct position corresponding to the line voltage in your location and the fuse rating shown on the rear panel of the unit.

## CUSTOMER SUPPORT

**1-800-462-9832**

**B+K Precision** offers courteous, professional technical support before and after the sale of their test instruments. The following services are typical of those available from our toll-free telephone number:

- Technical advice on the use of your instrument.
- Technical advice on special applications of your instrument.
- Technical advice on selecting the best instrument for a given task.
- Information on optional accessories for your instrument.
- Information on instrument repair and recalibration services.
- Replacement parts ordering.
- Availability of service publications.
- Information on other **B+K Precision** instruments.
- Requests for a new **B+K Precision** catalog.
- The name of your nearest **B+K Precision** distributor.

Call toll-free 1-800-462-9832

Monday through Thursday, 8:00 A.M. to 5:00 P.M, Friday 8:00 A.M. TO 11:30 A.M.

Pacific Standard Time  
(Pacific Daylight Time summer)





## Service Information

**Warranty Service:** Please return the product in the original packaging with proof of purchase to the address below. Clearly state in writing the performance problem and return any leads, probes, connectors and accessories that you are using with the device.

**Non-Warranty Service:** Return the product in the original packaging to the address below. Clearly state in writing the performance problem and return any leads, probes, connectors and accessories that you are using with the device. Customers not on open account must include payment in the form of a money order or credit card. For the most current repair charges please visit [www.bkprecision.com](http://www.bkprecision.com) and click on "service/repair".

Return all merchandise to B&K Precision Corp. with pre-paid shipping. The flat-rate repair charge for Non-Warranty Service does not include return shipping. Return shipping to locations in North America is included for Warranty Service. For overnight shipments and non-North American shipping fees please contact B&K Precision Corp.

B&K Precision Corp.  
22820 Savi Ranch Parkway  
Yorba Linda, CA 92887  
[www.bkprecision.com](http://www.bkprecision.com)  
714-921-9095

**Include with the returned instrument your complete return shipping address, contact name, phone number and description of problem.**



## Limited Two-Year Warranty

B&K Precision Corp. warrants to the original purchaser that its products and the component parts thereof, will be free from defects in workmanship and materials for a period of two years from date of purchase.

B&K Precision Corp. will, without charge, repair or replace, at its option, defective product or component parts. Returned product must be accompanied by proof of the purchase date in the form of a sales receipt.

To obtain warranty coverage in the U.S.A., this product must be registered by completing a warranty registration form on [www.bkprecision.com](http://www.bkprecision.com) within fifteen (15) days of purchase.

**Exclusions: This warranty does not apply in the event of misuse or abuse of the product or as a result of unauthorized alterations or repairs. The warranty is void if the serial number is altered, defaced or removed.**

B&K Precision Corp. shall not be liable for any consequential damages, including without limitation damages resulting from loss of use. Some states do not allow limitations of incidental or consequential damages. So the above limitation or exclusion may not apply to you.

This warranty gives you specific rights and you may have other rights, which vary from state-to-state.

B&K Precision Corp.  
22820 Savi Ranch Parkway  
Yorba Linda, CA 92887  
[www.bkprecision.com](http://www.bkprecision.com)  
714-921-9095

## TEST INSTRUMENT SAFETY

(continued from inside front cover)

6. Some equipment with a two-wire ac power cord, including some with polarized power plugs, is the “hot chassis” type. This includes most recent television receivers and audio equipment. A plastic or wooden cabinet insulates the chassis to protect the customer. When the cabinet is removed for servicing, a serious shock hazard exists if the chassis is touched. Not only does this present a dangerous shock hazard, but damage to test instruments or the equipment under test may result from connecting the ground lead of most test instruments to a “hot chassis”. To test “hot chassis” equipment, always connect an isolation transformer between the ac outlet and the equipment under test. The **B+K Precision** Model TR-110 or 1604 Isolation Transformer, or Model 1653 or 1655 AC Power Supply is suitable for most applications. To be on the safe side, treat all two-wire ac equipment as “hot-chassis” unless you are sure it has an isolated chassis or an earth ground chassis.
7. On test instruments or any equipment with a 3-wire ac power plug, use only a 3-wire outlet. This is a safety feature to keep the housing or other exposed elements at earth ground.
8. Never work alone. Someone should be nearby to render aid if necessary. Training in CPR (cardio-pulmonary resuscitation) first aid is highly recommended.

## **SEGURIDAD DEL INSTRUMENTO DE PRUEBA**

### **PRECAUCIONES**

El Uso normal de equipo de prueba lo expone a cierto riesgo de choque eléctrico cuando efectúa pruebas donde hay alto voltaje descubierto. Un choque eléctrico que cause una corriente de 10 mili amperes a través del corazón pararía la mayoría de los corazones humanos. Un voltaje tan bajo como de 35 volts DC o AC rms podría considerarse de peligro porque puede producir una corriente letal bajo ciertas condiciones. Voltajes mayores pueden ser aun más peligrosos. Sus hábitos normales de trabajo deben de incluir todas las prácticas aceptadas para prevenir descargas de alto voltaje, y desviar la corriente lejos del corazón en caso de contacto accidental con un alto voltaje. Puede reducir el factor de riesgo significativamente si observa las siguientes medidas de seguridad:

1. No se exponga a altos voltajes sin necesidad. Remueva la caja y tapas solo cuando sea necesario. Apague el equipo cuando haga conexiones de prueba en circuitos de alto voltaje. Descargue los capacitores de alto voltaje después de apagar.
2. Si es posible, familiarícese usted mismo con el equipo por revisar y la localización de los puntos de alto voltaje. Considere, sin embargo, que un voltaje alto puede aparecer en puntos inesperados en equipo defectuoso.
3. Use un piso de material aislante o un tapete aislante largo para situarse, y una superficie de trabajo aislante en la cual pueda poner el equipo; asegúrese que las superficies no estén húmedas o mojadas.
4. Use la probada técnica de mantener “una mano en la bolsa” cuando este usando una sonda o punta de prueba del instrumento. Evite con particular cuidado tocar un objeto metálico que pueda proveer un buen retorno a tierra.
5. Cuando revise un equipo conectado a voltaje de AC, recuerde que el voltaje está usualmente presente en algunos circuitos de entrada tal como el switch de encendido y apagado, fusibles, transformadores de poder, etc. mientras el equipo esté enchufado a una toma de AC aun aún cuando esté apagado.

(continuó la cubierta de espalda)

# MANUAL DE USUARIO MODELO 4010A

## 2MHz GENERADOR DE FUNCIONES

***BK PRECISION***<sup>®</sup>

22820 Savi Ranch Parkway  
Yorba Linda, CA 92887  
[www.bkprecision.com](http://www.bkprecision.com)

## TABLA DE CONTENIDO

	Página		Página
SEGURIDAD DEL INSTRUMENTO DE PRUEBA .....	Segunda de forros	MANTENIMIENTO .....	28
INTRODUCCION .....	18	Desensamblado y reensamblado .....	28
ESPECIFICACIONES .....	19	Reemplazo de fusible .....	28
CONTROLES E INDICADORES .....	21	Selección de línea de voltaje .....	28
INSTRUCCIONES DE OPERACIÓN.....	23	SOPORTE AL CLIENTE.....	29
Selección de frecuencia y forma de onda .....	23	INFORMACIÓN DE SERVICIO .....	30
Consideraciones.....	24	GARANTIA LIMITADA DE DOS AÑOS .....	31
Control de ciclo de servicio .....	25		
Salida para TTL/CMOS.....	26		
Operación de la frecuencia controlada por voltaje.....	26		
Consideraciones de protección de salida .....	27		
Guía de aplicaciones del generador de funciones .....	27		

## INTRODUCCIÓN

El B & K Precision modelo 4010A generador de funciones es una versátil fuente de señales que combina varias funciones en una unidad. Un dial calibrado provee una precisión de frecuencia dentro del 5% con alta estabilidad, para asegurar que la frecuencia no se desplace.

El corazón del generador de funciones es un VCG (generador controlado por voltaje) que produce ondas de seno, cuadradas y triangulares precisas desde los 0.2Hz hasta 2 MHz, para aplicaciones subaudibles, de audio, de ultrasonido y RF. Un desplazamiento (offset) de DC de variación continua permite inyectar la señal directamente en circuitos con la polarización correcta.

La simetría variable de la forma de salida convierte al instrumento en un generador de pulsos capaz de generar ondas rectangulares o pulsos, ondas de rampa o diente de sierra y senoidales inclinadas.

Además de estas características, puede usar un voltaje externo para controlar la frecuencia de operación.

## ESPECIFICACIONES

### **CARACTERÍSTICAS DE FRECUENCIA**

Formas de onda

seno, cuadrada, triangular,  $\pm$ pulso,  $\pm$ rampa

Rango

0.2Hz a 2MHz en 7 rangos

Precisión del dial

$\pm 5\%$

Rango de sintonía

10:1

Ciclo de servicio variable

15:85:15 continuamente variable

Modos de operación

normal, VCG

### **CARACTERÍSTICAS DE SALIDA**

Impedancia

50 OHM  $\pm 10\%$

Nivel

20 V p-p circuito abierto, 10Vp-p a 50 $\Omega$

Control de amplitud

Variable, 20db rango típico

Atenuación

-20db  $\pm 1$ db

Compensación DC (offset)

Prestablecido:  $\pm 0.1$  V típico

Variable:  $\pm 10$ V circuito abierto,  $\pm 5$ V a 50 $\Omega$

### **ONDA SENOIDAL**

Distorsión

3% a 1Khz típica

Aplanado

$\pm 5\%$  (.45dB)

### **ONDA CUADRADA**

Simetría

0.2Hz a 100KHz  $\leq 2\%$

Tiempo de elevación

$\leq 120$ Ns

### **ONDA TRIANGULAR**

Linealidad

$\geq 98\%$  a 100KHz



## SALIDA TTL

Nivel	0.8V a 2.4V
Tiempo de elevación	$\leq 20\text{ns}$
Ciclo de servicio	50% típico

## SALIDA CMOS

Nivel continuamente variable	4V a 14 V $\pm 0.5\text{V}$ p-p
Tiempo de elevación	$\leq 50\text{ns}$

## ENTRADA DE VCG (generador controlado por voltaje)

Voltaje de entrada	0-10V $\pm 1\text{V}$ causa un cambio de frecuencia 100:1
Impedancia	10K OHM $\pm 5\%$

## FUENTE DE PODER

120/230 VAC  $\pm 10\%$  50/60hz Selección por jumper interno

## DIMENSIONES

(26.7 x 11.4 x 31.1 cm)

## PESO

4 LB (1.845 kg)

## ACCESORIOS

Cable de salida BNC a clips de cocodrilo, Manual de usuario

**NOTA:** Las especificaciones y la información están conforme a cambio sin el aviso de B&K Precision Corp. Por favor visite [www.bkprecision.com](http://www.bkprecision.com) para las especificaciones más corriente y información de nuestros productos.

## **CONTROLES E INDICADORES**

### **PANEL DELANTERO (Vea la Fig. 1)**

10. **INTERRUPTOR DE ENCENDIDO (POWER).** Enciende y apaga el instrumento.
  11. **SWITCH DE RANGO (RANGE).** Selecciona el rango de la frecuencia de salida. 7 rangos de 2Hz a 2MHz. El switch indica la máxima frecuencia del rango y se ajusta con el control grueso de frecuencia a 0.1 veces el máximo. Por ejemplo, si el rango de 200kHz es seleccionado, la salida de frecuencia puede ser ajustada de 20kHz a 200kHz
  12. **SWITCH DE FUNCIONES (FUNCTION).** Selecciona la forma de onda del jack de salida : senoidal, cuadrada, triangular en el jack OUTPUT de salida
  13. **CONTROL DE NIVEL DE SALIDA (OUTPUT LEVEL).** Controla la amplitud de la señal al jack de salida. El nivel de salida puede ser disminuido por aproximadamente 20dB con este control
  14. **CONTROL DE DC OFFSET.** Activado por el switch de OFFSET (12). La rotación en la dirección de las manecillas del reloj desde el centro cambia el desplazamiento de DC en la dirección positiva, en tanto que la rotación en contra de las manecillas del reloj desde el centro cambia el desplazamiento de DC en la dirección negativa.
  15. **JACK DE SALIDA (OUTPUT).** La forma de onda seleccionada por el switch de funciones así como el voltaje de desplazamiento de DC sobre impuesto está disponible en este jack.
  16. **Jack TTL/CMOS .** Onda cuadrada TTL o CMOS, dependiendo de la posición del switch (13) de nivel CMOS. Esta salida es independiente de los controles de OUTPUT LEVEL y OFFSET CD .
1. **CONTROL DE NIVEL CMOS (LEVEL).** Girando este control en la dirección de las manecillas del reloj aumenta la amplitud de la señal CMOS al jack TTL/CMOS.
  2. **Jack de entrada VCG.** Permite el control externo de la frecuencia de salida del generador por un voltaje de DC aplicado a este jack. Un voltaje positivo disminuirá la frecuencia.
  3. **CONTROL DEL CICLO DE SERVICIO (DUTY CYCLE).** Activado por el switch DUTY CYCLE(14). La rotación desde la posición central ajusta el ciclo de servicio de la señal de la salida principal OUTPUT.
  4. **-20 DB SWITCH.** Al accionarse, la señal del jack de salida es atenuada por -20 dB.
  5. **Switch DC OFFSET.** Al accionarse se habilita la operación del control DC OFFSET(5).
  6. **Switch CMOS LEVEL.** Accionado, cambia la señal TTL a señal CMOS en el jack TTL/CMOS
  7. **Switch DUTY CYCLE.** Su activación habilita la operación del control DUTY CYCLE(10).
  8. **Control FREQUENCY.** Ajusta la frecuencia de salida de 0.1 a 1 del rango seleccionado
  9. **INV.** Permite invertir la polaridad de la señal normal de salida

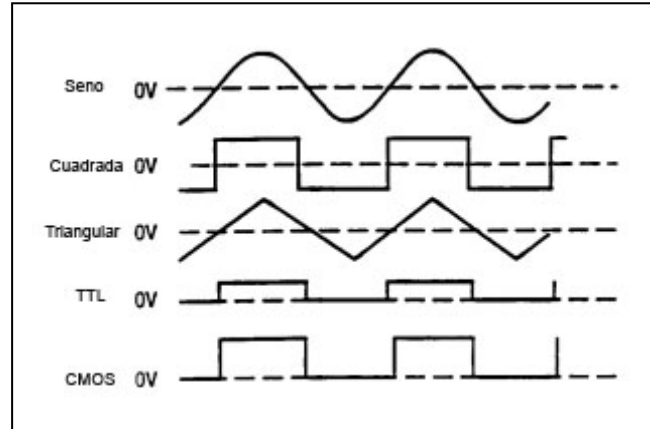


## INSTRUCCIONES DE OPERACION

El Generador de funciones B&K Precison Modelo 4010A es un instrumento versátil, capaz de producir una variedad de formas de onda con un amplio rango de frecuencias. Para familiarizarse con esta unidad, se recomienda conectarla inicialmente a un osciloscopio, para observar los efectos de los controles en las formas de onda generadas. Use este manual según requiera como referencia hasta que domine los procedimientos de operación.

### SELECCION DE FRECUENCIA Y FORMA DE ONDA

1. Inicialmente, verifique los switches **DUTY CYCLE** (14), **CMOS LEVEL**(13), **DC OFSSET**(12), y - 20dB (11) estén desactivados. Esto producirá una onda simétrica no afectada por el generador de barrido y otros controles.
2. Enchufé la unidad en una fuente de energía apropiada y enciéndalo oprimiendo el switch **POWER** (1)
3. Seleccione la onda de forma deseada (**SINE**, **SQUARE**, **TRIANGLE**) oprimiendo uno de los switches de **FUNCTION** (3). Sus relaciones de fase se muestran en la figura 2.
4. Seleccione la frecuencia de la onda de forma oprimiendo uno de los switches **RANGE** (2).
5. Gire el control **FREQUENCY** (15) para fijar la frecuencia de salida rápidamente al valor deseado. La frecuencia seleccionada estará disponible en el jack **OUTPUT** (6). Además, una señal digital estará presente en el jack **TTL/MOS** (7) (Refiérase a la señal **TTL/CMOS OUTPUT** de este manual.



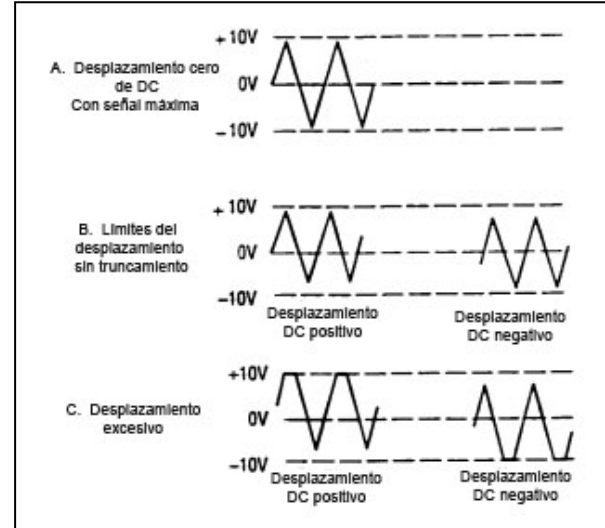
**Figura 2. Formas de onda de salida y relación de fase**

6. Ajuste la amplitud de la salida como desee usando el control **OUTPUT LEVEL** (4) (Nivel de salida) La rotación de este control varía la amplitud desde el máximo hasta 20 dB debajo del máximo. Una atenuación adicional de -20dB esta disponible oprimiendo el -20dB switch (11). Los factores de atenuación pueden ser combinados por un total de -40dB. El máximo nivel de señal es de 10V p-p (con carga de 50 Ohms)

7. Un componente de DC puede sumarse a la señal de salida oprimiendo el switch DC OFFSET (12) para activar la operación del control DC OFFSET (5). La rotación de este control añade una componente de DC positiva o negativa a la señal de salida. La componente de DC introducido es independiente del control OUTPUT LEVEL y puede variarse  $\pm 10$  voltios en circuito abierto o  $\pm 5$  voltios a través de 50 ohms. El desplazamiento de DC no afecta al jack de salida TTL/CMOS. El efecto del desplazamiento se muestra en la Fig. 3.

### CONSIDERACIONES

1. La rotación contra el reloj del control FREQUENCY reduce la frecuencia de salida por un factor aproximado de 10:1 del rango seleccionado. Por ejemplo, en el rango de 20K, el giro completo del dial en contra de las manecillas reduce la frecuencia a 2KHz aproximadamente.
2. La rotación del control en sentido del reloj aumenta la frecuencia hasta el valor tope del rango. Esto es, si selecciona el rango de 20K y el dial se fija en 2.0, la frecuencia será de 20KHz.
3. Con el dial en 1.0, la frecuencia de salida es aproximadamente la mitad del rango seleccionado. Así, en el rango de 20K y el dial en 1.0, la salida es de 10KHz.
4. Para mayor precisión, conecte un contador externo de frecuencia a los jacks de salida TTL u OUTPUT
5. Cuando genere ondas cuadradas o utilice la salida de TTL, termine el cable en 50 ohms para disminuir oscilaciones transitorias. También, use cables tan cortos como sea posible.



**Figura 3. Uso del control DC OFFSET**

6. Recuerde que la variación de la señal de salida de generador esta limitada a  $\pm 10$  volts en circuito abierto o  $\pm 5$  volts en 50 ohms, y aplica a la señal combinada pico a pico con el desplazamiento DC. El truncamiento ocurre ligeramente arriba de estos niveles. La Fig. 3 ilustra diversas condiciones de operación posibles al introducir el desplazamiento DC. Si la amplitud de la señal o el desplazamiento DC son grandes, utilice un osciloscopio para asegurar que la señal deseada no presenta un truncamiento indeseable.

## INSTRUCCIONES DE OPERACIÓN

### CONTROL DUTY CICLE (CICLO DE SERVICIO)

El control **DUTY CYCLE** puede usarse para alterar la simetría de la forma de onda de salida, y generar ondas de forma tales como las mostradas en la Fig. 4. Para una onda cuadrada, la variación de simetría equivale a cambiar el ciclo servicio (razón del tiempo “alto” al “bajo”), efectivamente convirtiendo al instrumento en un generador de pulsos. Para una onda triangular, el resultado es una rampa, y para una onda senoidal, obtenemos una onda distorsionada llamada “seno inclinado”. El Modelo 4011A permite la variación de simetría desde 15% hasta 85%.

1. Seleccione la onda de forma deseada sea **SENOIDAL**, **CUADRADA**, o **TRIANGULAR**.
2. Active el switch **DUTY CYCLE** (14) y ajuste el control **DUTY CYCLE** (10) para obtener la forma de onda deseada. La rotación desde el centro en sentido de las manecillas del reloj incrementa el ciclo de servicio en una onda cuadrada, y modifica las ondas de seno y triángulo como se muestra en las ondas superiores de cada par de la Fig.4. La rotación contraria produce las formas de onda inferiores de cada par. Las variaciones del ciclo de servicio producen cambios ligeros de la frecuencia. Ajuste el control como se requiera.

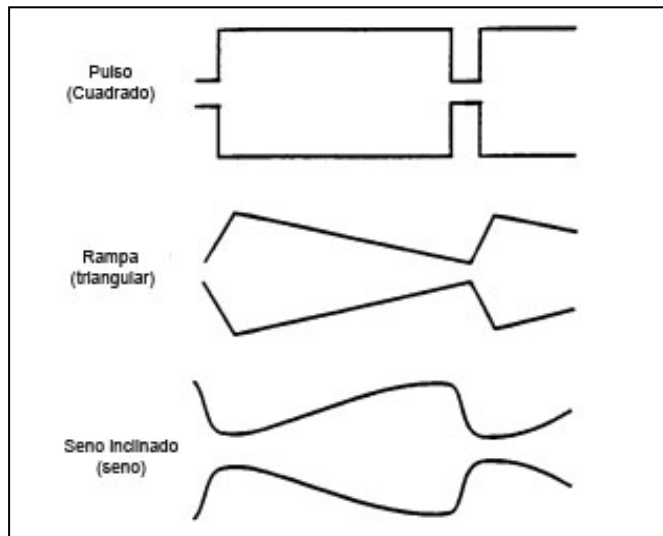


Figura 4 Efectos de variación de simetría

### SALIDA TTL/CMOS

El jack de salida TTL/CMOS presenta una señal cuadrada de tiempo de levantamiento rápido, con un nivel fijo TTL o variable CMOS. La salida es positiva respecto a tierra y puede usarse como pulso externo de sincronización para osciloscopios o como fuente de frecuencia variable para probar circuitos lógicos. Dado el rápido tiempo de levantamiento, se recomienda usar cables cortos para minimizar transitorios o sobre impulsos.

4. Seleccione el rango de frecuencia deseado y ajuste los controles de frecuencia como requiera. Los controles OUTPUT LEVEL y DC OFFSET no producen efecto alguno en la señal TTL/CMOS.
5. Cuando el switch CMOS LEVEL (13) se desactiva, se produce una señal TTL en el jack. Seleccione una señal CMOS accionando el switch CMOS LEVEL y ajuste el nivel de la señal girando el control CMOS LEVEL (8).

### OPERACION DE LA FRECUENCIA CONTROLADA POR VOLTAJE

El modelo 4010A puede ser operado como un generador controlado por voltaje aplicando al jack VCG/SWEEP de entrada) un voltaje externo de control. Dicho voltaje variará la frecuencia preseleccionada por los switches de rango y los controles de frecuencia. Aplicando aproximadamente +10V con el control COARSE a rotación completa en la dirección del reloj se disminuye la frecuencia de salida por cerca de 100 veces (un factor de 100:1).

1. Seleccione el rango de frecuencia deseado y la forma de onda
2. Ajuste la frecuencia de inicio con el control FREQUENCY.  
Aplique un voltaje de DC positivo al jack VCG/SWEEP (9) de entrada para disminuir la frecuencia. Un voltaje de 0 a +10 V causa que la frecuencia disminuya por un factor de 100 si el control se rota a su máximo. Por ejemplo, si la frecuencia de inicio es de 200 kHz, aplicando +10 V cambiará la frecuencia de salida a 2kHz.
1. Para usar el generador de funciones como un generador de barrido, aplique una señal de rampa al jack de entrada VCG INPUT. Cuando el voltaje de rampa aumenta, la frecuencia disminuye. La velocidad de barrido puede ajustarse variando la frecuencia de la señal de rampa.
2. Puede seleccionar frecuencias específicas aplicando un voltaje de DC fijo al jack VCG INPUT o las frecuencias pueden ser escalonadas aplicando un voltaje de DC escalonado.
3. No aplique más de  $\pm 15$  volts (DC o DC + AC pico) al jack VCG INPUT jack. Entradas de más de 15 volts no varían más la frecuencia y podrán ocasionar daños al generador.

## INSTRUCCIONES DE OPERACIÓN

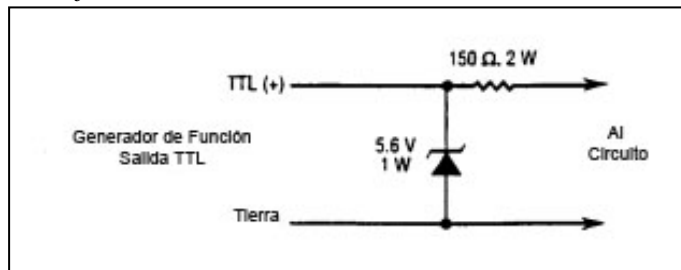
### CONSIDERACIONES DE PROTECCION DE SALIDA

Tenga cuidado al conectar la salida del generador de funciones a un punto receptor de señales. Un voltaje excesivo del generador en el punto de inyección puede causar daño interno. Bajo operación normal, la salida del generador nunca debe conectarse a un voltaje externo mayor que el que provee el control DC OFFSET. El Modelo 4010A esta protegido contra sobrecargas, así que, aunque se establezca un corto circuito continuo en la salida, no sufrirá daños. Se incluye un fusible en serie con el jack OUTPUT de salida para ayudar a proteger al instrumento contra daños al conectarlo a un voltaje excesivo externo.

Daño de este tipo usualmente ocurre al conectar accidentalmente la salida del generador de funciones a un voltaje en el equipo bajo prueba. Se recomiendan enfáticamente las siguientes medidas de protección:

1. El usuario debe conocer el equipo bajo prueba lo suficiente bien para identificar los puntos correctos de inyección de señales (e.g. la base de un transistor, una entrada lógica de una compuerta, etc.) El voltaje en un punto de inyección de señales válido rara vez es suficientemente elevado para dañar al instrumento.
2. Si duda sobre la seguridad de un punto de inyección de señales, mida el voltaje presente en dicho punto antes de conectarle la salida del generador de funciones.
3. Cuando aplique la salida principal del generador de señales a un punto de un circuito que contenga un nivel de DC, ajuste el control DC OFFSET para que el voltaje se salida iguale al voltaje del circuito.

4. Conecte la salida de TTL solo a circuitos de nivel TTL. Conecte la salida de CMOS solo a circuitos CMOS. Mida el voltaje  $V_{cc}$  del circuito bajo prueba y ajuste el control CMOS LEVEL como se indica en el manual.
5. Cuando el generador de funciones es usado por estudiantes u otros usuarios sin experiencia, el circuito mostrado en Fig. 5 puede ser añadido a su sonda de la salida TTL o al juego de clips de prueba. Esto protegerá las salidas TTL del generador contra voltajes externos hasta de  $\pm 20$  volts.



**Figura 5. Circuito de protección para la salida TTL**

### LIBRO GUIA DE APLICACIONES DE EL GENERADOR DE FUNCIONES

B &K Precision ofrece una “Guía del Generador de Funciones” que describe numerosas aplicaciones de este instrumento, incluyendo detalles de conexión. También incluye un glosario de la terminología del generador de funciones y una explicación de la operación de su circuito. Puede ser descargado gratis de nuestra Web site en [www.bkprecision](http://www.bkprecision.com)



## **MANTENIMIENTO**

### **PRECAUCION**

*Las siguientes instrucciones son para uso solo por personal de servicio calificado. Para evitar choque eléctrico, no haga servicios distintos al contenido en las instrucciones de operación a menos que esté calificado para hacerlo.*

*Recuerde que la línea de voltaje de AC está presente en los circuitos de entrada siempre que el instrumento esté conectado a un enchufe de AC, aunque esté apagado. Siempre desenchufe el generador de funciones antes de efectuar procedimientos de servicio.*

### **REEMPLAZO DE FUSIBLES**

1. Localice el sostenedor de fusible en la línea de entrada.
2. Quite el sostenedor del fusible y sustituya el fusible por un fusible de valor igual.

### **SERVICIO DE REPARACION DEL INSTRUMENTO**

Debido a las especializadas habilidades y equipo de prueba requerido para la reparación y calibración del instrumento, muchos clientes prefieren depender en B & K Precisión para este servicio. Nosotros mantenemos una red de agencias de servicio autorizadas para este propósito. Para usar este servicio, aún si el instrumento ya no está bajo garantía, siga las instrucciones en la parte de INSTRUCCIONES DE SERVICIO DE GARANTIA de este manual. Hay un cargo nominal por instrumentos fuera de garantía.

## SOPORTE AL CLIENTE 1-800-462-9832

b+k Precision ofrece soporte técnico profesional y cortés antes y después de la venta de sus equipos de prueba. Los siguientes son servicios típicos de los disponibles de nuestro teléfono sin carga:

- Asesoría técnica sobre el uso de su instrumento
- Asesoría técnica sobre aplicaciones especiales de su instrumento
- Asesoría técnica para escoger el mejor instrumento para una tarea específica
- Información sobre accesorios opcionales para su instrumento
- Información sobre servicios de reparación y recalibración
- Pedidos de partes de reemplazo
- Disponibilidad de publicaciones de servicio
- Información sobre otros instrumentos de B+K Precision
- Solicitudes de catálogos de B+K Precision
- El nombre de su distribuidor más cercano

Llame sin cargo 800-462-9832



## Información de Servicio

**Servicio de Garantía:** Por favor regrese el producto en el empaquetado original con prueba de la fecha de la compra a la dirección debajo. Indique claramente el problema en escritura, incluya todos los accesorios que se están usando con el equipo.

**Servicio de No Garantía:** Por favor regrese el producto en el empaquetado original con prueba de la fecha de la compra a la dirección debajo. Indique claramente el problema en escritura, incluya todos los accesorios que se están usando con el equipo. Clientes que no tienen cuentas deben de incluir pago en forma de cheque, orden de dinero, o número de carta de crédito. Para los precios más corrientes visite [www.bkprecision.com](http://www.bkprecision.com) y oprime “service/repair”.

Vuelva toda la mercancía a B&K Precision Corp. con el envío pagado por adelantado. La carga global de la reparación para el servicio de la No-Garantía no incluye el envío de vuelta. El envío de vuelta a las localizaciones en norteamericano es incluido para el servicio de la garantía. Para los envíos de noche y el envío del no-Norte los honorarios americanos satisfacen el contacto B&K Precision Corp.

B&K Precision Corp.  
22820 Savi Ranch Parkway  
Yorba Linda, CA 92887  
[www.bkprecision.com](http://www.bkprecision.com)  
714-921-9095

**Incluya con el instrumento la dirección de vuelta para envío, nombre del contacto, número de teléfono y descripción del problema.**



## Garantía Limitada de Un Año

B&K Precision Corp. Autorizaciones al comprador original que su productos y componentes serán libre de defectos por el periodo de un año desde el día en que se compro.

B&K Precision Corp. sin carga, repararemos o sustituir, a nuestra opción, producto defectivo o componentes. Producto devuelto tiene que ser acompañado con prueba de la fecha del la compra en la forma de un recibo de las ventas.

Para obtener cobertura en los EE.UU., este producto debe ser registrado por medio de la forma de registro en [www.bkprecision.com](http://www.bkprecision.com) dentro de quince (15) días de la compra de este producto.

**Exclusiones: Esta garantía no se aplica en el evento de uso en error o abuso de este producto o el resultado de alteraciones desautorizado o reparaciones. La garantía es vacía si se altera, se desfigura o se quita el número de serie.**

B&K Precision Corp. no será obligado a dar servicio por danos consecuente, incluyendo sin limitaciones a danos resultando en perdida de uso. Algunos estados no permiten limitaciones de daños fortuitos o consecuentes. Tan la limitación o la exclusión antedicha puede no aplicarse a usted.

Esta garantía le da ciertos derechos y pueden tener otros derechos, cuales cambian estado por estado.

B&K Precision Corp.  
22820 Savi Ranch Parkway  
Yorba Linda, CA 92887  
[www.bkprecision.com](http://www.bkprecision.com)  
714-921-9095

## SEGURIDAD DEL INSTRUMENTO DE PRUEBA

(continuacion desde el )

6. Ciertos equipos con cable de poder de 2 puntas, incluyendo otros con cable polarizado, son del tipo de "chasis caliente". Esto incluye la mayoría de los más recientes receptores de televisión y equipos de sonido. Un gabinete de plástico o de madera aísla el chasis para proteger al cliente. Cuando el gabinete es removido para servicio, un serio peligro de choque existe si se toca el chasis. Además del peligro de choque eléctrico, tanto el instrumento de prueba como el aparato bajo prueba pueden dañarse al conectar la punta de tierra del instrumento al "chasis caliente" Para probar equipos con "chasis caliente", conecte siempre un transformador de aislamiento entre el enchufe de AC y el equipo bajo prueba. El B & K Precision Modelo TR-110 o el transformador de aislamiento 1604, o bien las fuentes de poder de AC modelos 1643 o 1655 son adecuados para la mayoría de las aplicaciones. Para mayor seguridad, trate todos los equipos con cable de poder de 2 puntas como de "chasis caliente" a menos que esté seguro que tiene un chasis aislado o un chasis a tierra.
7. En instrumentos de prueba o cualquier equipo con cables de AC de 3 puntas, conéctelos sólo a un enchufe que acepte las 3 puntas . Esta es una característica de seguridad para mantener la caja u otros elementos expuestos ,a tierra.
8. Los productos B & K Precision no están autorizados para uso en cualquier aplicación que involucre el contacto directo con el cuerpo humano, o para el uso como un componente crítico en un dispositivo o sistema para el soporte de vida. Aquí, "contacto directo" se refiere a cualquier conexión de o a nuestro equipo a través de cualquier cableado o interruptores. Un "componente crítico" es cualquier componente de un dispositivo de soporte de vida o sistema cuyo fallo pueda causar una falla del dispositivo o sistema, o afecte su seguridad o efectividad.
9. Nunca trabaje solo. Alguien debe de estar cerca para prestar ayuda de ser necesario. Entrenamiento en primeros auxilios CPR (resucitación cardiopulmonar) se recomienda ampliamente.

**BK PRECISION®****Declaration of CE Conformity**  
according to EEC directives and NF EN 45014 norm**Responsible Party****Alternate Manufacturing Site****Manufacturer's Name:** B&K Precision Corporation

B&amp;K Taiwan 0574

**Manufacture's Address:** 22820 Savi Ranch Pkwy.  
Yorba Linda, CA 92887-4610  
USA**Declares that the below mentioned product****Product Name:** Function Generator**Part Numbers:** 4010A, 4011A, 4012A, 4040A, 4017A**complies with the essential requirements of the following applicable European Directives:**Low Voltage Directive 73/23/EEC (19.02.73) amended by 93/68/EEC (22.07.93)  
Electromagnetic Compatibility (EMC) 89/336/EEC (03.05.88) amended by 92/68/EEC (22.07.93)**and conforms with the following product standards:****Safety** EN 61010-1:2001**EMC** EN 61326:1997 + A1:1998 + A2:2001  
EN 50081-1  
EN 50081-2**This Declaration of Conformity applies to above listed products place on the EU market after:**

February 4, 2005

**Date****Victor Tolan**  
**President**



22820 Savi Ranch Parkway • Yorba Linda, CA 92887

© 2014 B+K Precision

v072514

Printed in U.S.A.

Contact:  
Industrial Process Measurement, Inc.  
3910 Park Avenue, Unit 7  
Edison, NJ 08820  
732-632-6400  
support@instrumentation2000.com  
<http://www.instrumentation2000.com>