

# Type 20

## Precision Air Relays

### Features

- Extreme accuracy
- Positive and negative bias capability
- Small size
- Rugged and stable

### Description

The Type 20 Air Relay is a compact, two-stage, pilot operated 1:1 relay with positive and negative bias adjustment capability. It accepts a signal pressure and combined with the bias adjustment, maintains a resulting output pressure with an accuracy and reliability unmatched by any other pressure relay in its price range.

### Models

#### Type 20

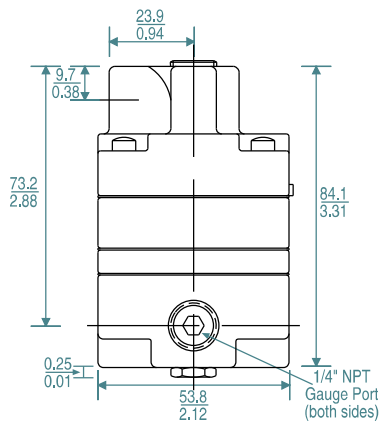
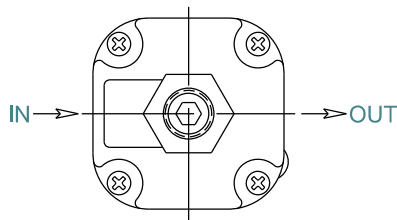
The basic relay is offered with a choice of three port sizes.

#### Type 20HR and Type 20EXHR

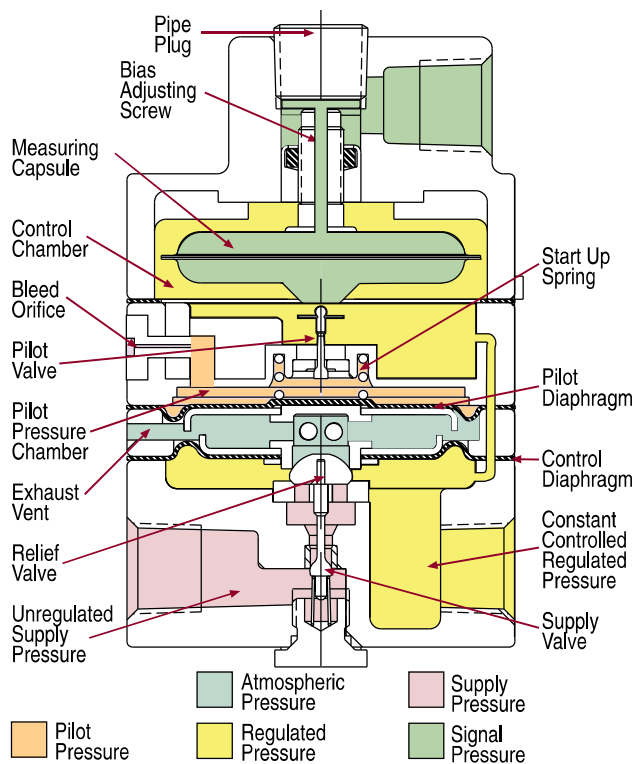
**High Relief Relays** - These relays provide extra fast "blowdown" for very rapid release of output pressure. The extra relief feature makes this relay suitable for cylinder return stroke actuation, air hoists, and similar applications requiring fast exhaust.

### Applications

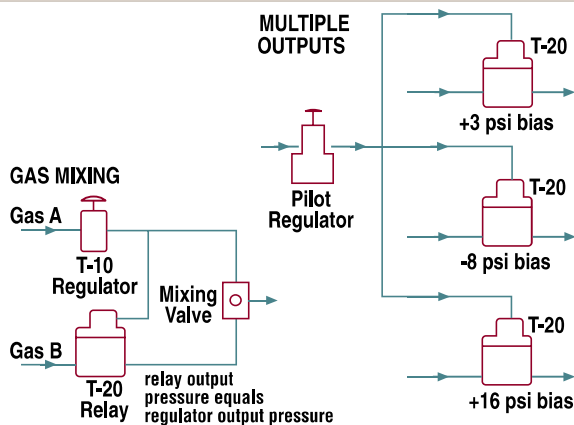
- Gate Actuators
- Air Hoists
- Disc and Shoe Brakes
- Remote Positioning Devices
- Valve Rotors
- Control Valves
- Tensioning Systems
- Web Tracking Systems



**Type 20**  
Precision Air Relay



### Type 20 Application Diagrams



### VOLUME BOOSTING AND REMOTE LOADING

