

# AC Current Probe Model MN352



The Model MN352 is the latest in compact AC current probes. It is designed to meet the most stringent demands in industry and electrical contracting. Model MN352 meets EN 61010, 600V, Cat. III safety standards and is CE Marked and UL approved for Canada and United States.

The Model MN352 has a 0.78" (20mm) jaw opening and accommodate conductors up to 250MCM. The unique hooked jaw design facilitates clamping and hooking onto conductors. Polycarbonate materials and ultrasonic welding are used throughout to ensure ruggedness and overall lasting reliability.

The Model MN352 is a high performance model and uses a custom nickel core to improve accuracy and phase shift on the low end of the measurement range. The Model MN352 is an excellent probe to be used in power and low level current measurement applications.

## Features

- Small, compact size
- Measurement range of 0.1 to 150A
- Large jaw opening accommodates conductors up to 250MCM
- Designed for DMMs, loggers, recorders and oscilloscopes
- 40Hz to 10kHz response
- 10mV/Aac output signals
- Designed to EN 61010, 600V Cat. III safety standard
- UL approved for Canada and United States
- Double Insulation
- CE Mark

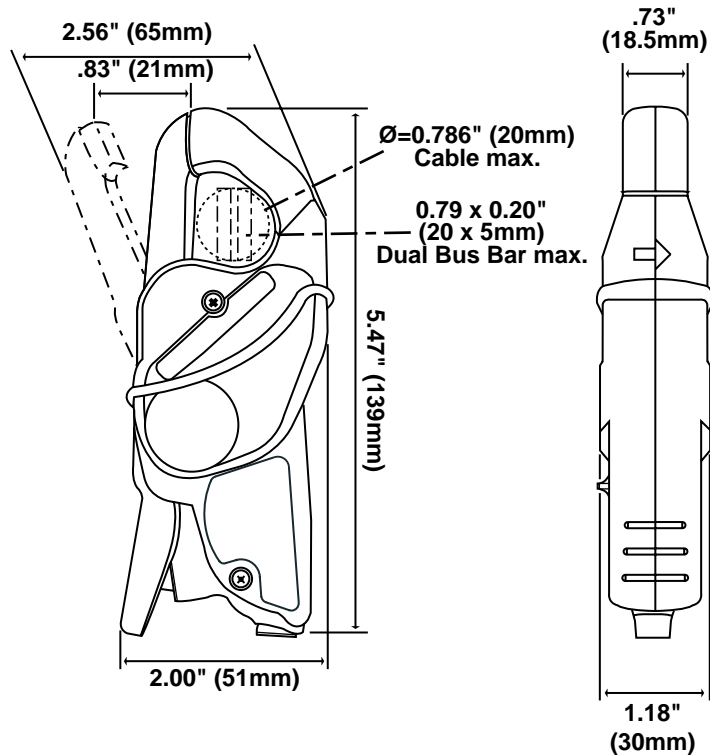
## Applications

- Measuring in breaker panels
- Industrial loads
- HVAC
- Residential and commercial sites
- Data logging/recording

## Specifications

<b>MODEL</b>	<b>MN352</b>
<b>ELECTRICAL</b>	
Nominal Range	150A
Measurement Range	0.1 to 150A
Transformation Ratio	Voltage output
Output Signal	10mV/A (1V @ 100AAc)
Accuracy (150A Range)	
0.1 to 1A	2% of Reading $\pm$ 0.2mV
1 to 80A	1% of Reading $\pm$ 0.2mV
80 to 150A	1.5% of Reading $\pm$ 0.2mV
Phase Shift (150A Range)	
1 to 20A	$\leq$ 3.0°
20 to 100A	$\leq$ 2.0°
100 to 150A	$\leq$ 2.5°
Overload	240A for 10 min ON, 30 min OFF
Frequency Range	40 to 10kHz
Limit Operating Conditions	200A permanently to 1kHz; Derating above 3kHz: 200A x (1/0.333F), F in kHz
Crest Factor	3 @ 150A Peak with an error (due to CF) of 3%
Working/Common Mode Voltage	600Vrms
Output Termination	Jack
<b>MECHANICAL</b>	
Operating Temperature	14° to 131°F (-10° to 55°C)
Storage Temperature	-40° to 158°F (-40° to 70°C)
Operating Relative Humidity	10 to 35°C 85% RH (without roll-off above 35°C)
Jaw Opening	0.83" (21mm)
Maximum Conductor Size	0.78" (20mm)
Dimensions	5.47 x 2.00 x 1.18" (139 x 51 x 30mm)
Weight	6.5 oz (180g)
Polycarbonate Material	Polycarbonate with fiberglass charge, UL94 V0
<b>SAFETY</b>	
Electrical	EN 61010-2-32
UL Approval	Yes – Canada and United States
Double Insulation <input type="checkbox"/>	Yes
CE Mark	Yes

Note: Reference conditions: 20 to 26°C, 20 to 75% RH, external magnetic field <40A/m, 48 to 65Hz sine wave, distortion factor less than 1%, no DC component, no external current carrying conductor, test sample centered. Load impedance >1m $\Omega$



**Jacks:**  
Two standard safety banana jacks (4mm)

ORDERING INFORMATION	CATALOG NO.
<b>AC Current Probe Model MN352</b> (Jack – 10mV/A – 150A max) .....	Cat. #2116.26
Includes a user manual	
<b>Accessories (Optional)</b>	
Leads, set of two, 5 ft safety (1000V) .....	Cat. #2111.29
Banana plug Adaptor (Safety Leads to nonrecessed plug) .....	Cat. #1017.45
Banana (Female) – BNC (Male) Adaptor .....	Cat. #2118.46