

# AC Current Probe Model MN01



Small and compact, the AC Current Probe Model MN01 is the ideal complement for any multimeter to measure AC currents in low-power secondary or industrial applications.

If there is a current in the conductor clamped, the Model MN01 is protected against overvoltages during disconnection from the measurement instrument.

## Features

- Small, compact size
- Measurement range of 2 to 150AAC
- Jaw opening accommodates conductors up to 0.39" diameter
- Designed for DMMs, loggers, recorders and oscilloscopes
- 40Hz to 10kHz response
- 1mAac/Aac output signals
- Designed to EN 61010, 600V CAT III safety standard
- Double Insulation
- CE Mark

## Applications

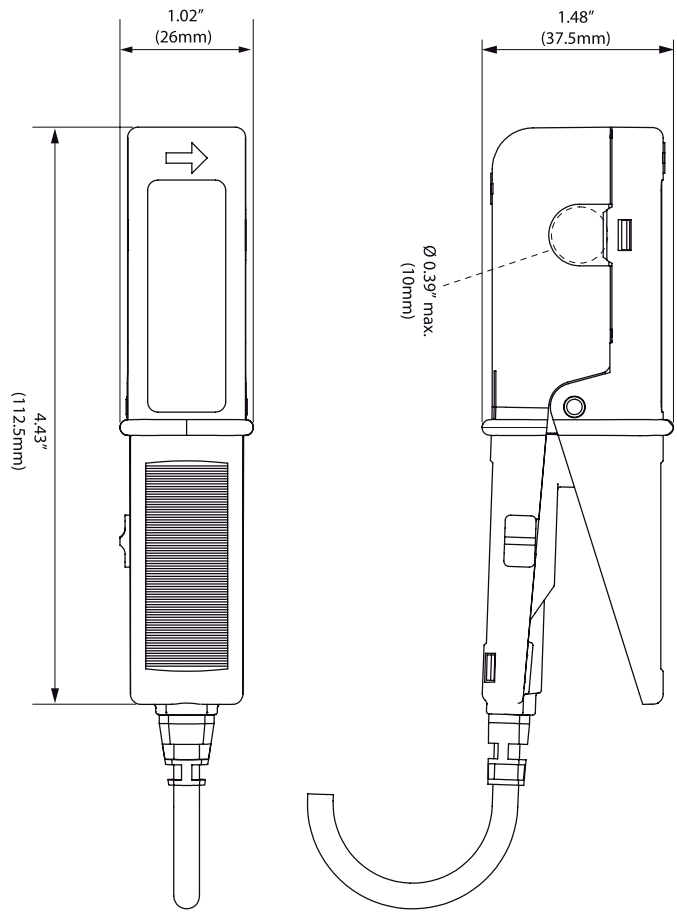
- Measuring in breaker panels
- Industrial loads
- HVAC
- Residential and commercial sites
- Data logging/recording

## Specifications

MODEL	MN01
<b>ELECTRICAL</b>	
Range	150A
Measurement Range	2A to 150A
Accuracy in %	≤ 2.5% + 0.15A (1Ω load) ≤ 3% + 0.15A (10Ω load)
Phase Shift	Not specified
Output Signal	1mA <sub>AC</sub> /A <sub>AC</sub> (1000/1) (150mA at 150A)
Load Impedance	≤10Ω
Maximum Currents	1 < 150A permanent from 48Hz to 500Hz
Influence of Temperature	≤ 0.2% per 10K
Influence of Adjacent Conductor	≤ 2mA/A at 50Hz
Influence of Adjacent Conductor Position in Jaws	≤ 0.1% at 50/60Hz
Influence of Frequency	≤ 2% from 65Hz to 500Hz
Maximum Output Voltage (secondary open)	30V
<b>MECHANICAL</b>	
Operating Temperature	14° to 122°F (-10° to +50°C)
Storage Temperature	-40° to 176°F (-40° to 80°C)
Operating Relative Humidity	0 to 85% RH decreasing linearly above 35°C
Operating Altitude	0 to 2000m
Casing Protection Rating (leak-proofing)	IP40 <sup>(2)</sup> (EN 60529 Ed. 1995)
Fall Height	4.92 ft (1.5m) (IEC 68-2-32)
Shock Protection	3.52 oz (100g)/6ms/half-period (IEC 68-2-27)
Self-extinguishing Capability	casing UL94 V2
Vibration Resistance	IEC 68-2-6
Dimensions	4.43 x 1.48 x 1.02" (112.5 x 37.5 x 26mm)
Weight	approx. 6.35 oz (180g)
<b>SAFETY</b>	
Electrical	EN 61010-1, 600V CAT III, Pollution Degree 2
Double Insulation <input type="checkbox"/>	Yes
CE Mark	Yes

(1) Conditions of reference: 23°C ± 3°K, 20 to 75% RH, sinusoidal signal with frequency of 48 to 500Hz, distortion factor < 1% with no DC component, external DC magnetic field < 40A/m, no external AC magnetic field, no external conductor with circulating current, conductor centered for measurement, measurement instrument load impedance ≥ 1MΩ (10A calibre) & ≥ 10kΩ (100A calibre).

(2) With clamp closed.



**Safety Leads:**  
 Double/reinforced insulated 5 ft (1.5m) lead with 4mm safety banana plug

<b>ORDERING INFORMATION</b>	<b>CATALOG NO.</b>
<b>AC Current Probe Model MN01</b> (150A, 1mA/A, Lead) .....	<b>Cat. #2129.17</b>
Includes a user manual	
<b>Accessories (Optional)</b>	
Adapter - 4mm Non-insulated for Safety Leads .....	Cat. #1017.45