

# AC Current Probe Model JM813



The Model JM813 is a high performance AC current probe for higher currents. Excellent transformation and low phase shift, plus a broad frequency response, permit accurate measurements of current and power. The high quality magnetic cores and uniform windings provide for accurate measurements up to 3600Aac. The “squared” jaw permits multiple conductor or bus bar positioning. The Model JM813 provides excellent True RMS capabilities and reliable signal reproduction.

The Model JM813 works as a traditional current transformer providing current outputs (mA) over a broad range of transformation ratios. The Model JM813 is designed for use on DMMs, power and harmonic meters, recorders or instruments with AC current ranges.

## Features

- Nominal range: up to 3000Aac (continuous cycle for the full temperature range)
- Transformation ratio: 3000:3
- Output: 1mA/A
- Designed for use on DMMs, power and harmonic meters, recorders or instruments with AC current ranges

## Applications

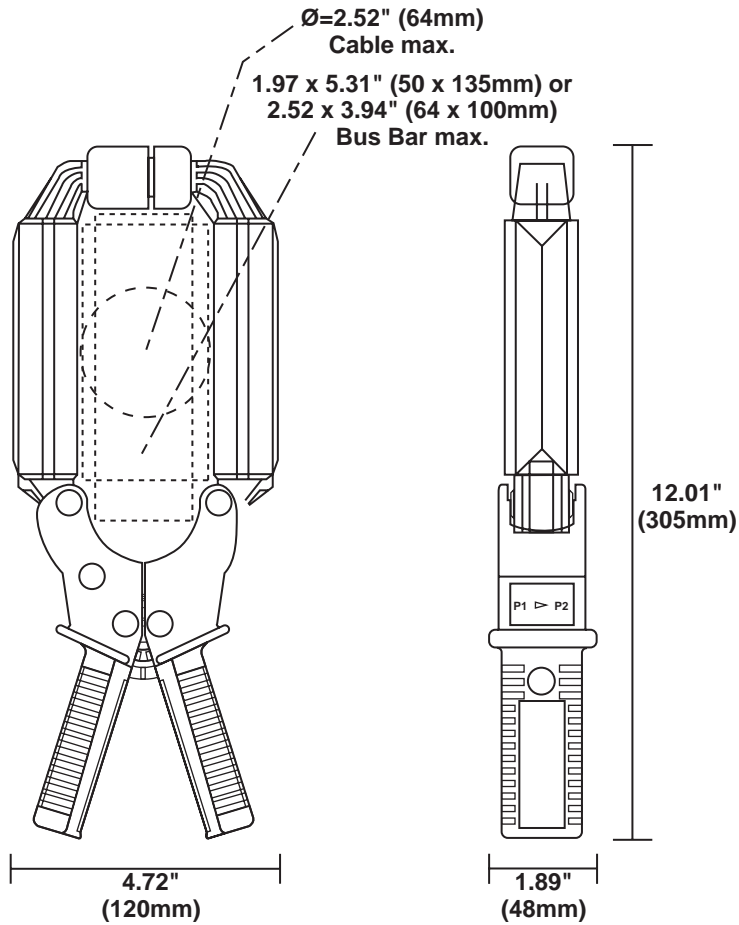
- Field testing
- Electrical utility
- HVAC
- Industrial maintenance
- Laboratory
- Plant maintenance

# Specifications

MODEL	JM813
<b>ELECTRICAL</b>	
Nominal Range	3000A
Measurement Range	1 to 3600A
Transformation Ratio	3000:3
Output Signal	1mA <sub>AAC</sub> /A <sub>AAC</sub> (3A @ 3000A)
Accuracy (1000A Range)	
150A	1.5% of Reading
600A	0.75% of Reading
3000A	0.5% of Reading
Phase Shift (1000A Range)	
150A	1.5°
600A	0.75°
3000A	0.5°
Overload	3600A for 5 min
Frequency Range	30Hz to 5kHz; current derating above 1kHz for continuous use
Load Impedance	≤0.6Ω
Working/Common Mode Voltage	600V <sub>AC</sub>
Output Termination	5 ft Lead
<b>MECHANICAL</b>	
Operating Temperature	14° to 122°F (-10° to 50°C)
Storage Temperature	-13° to 176°F (-25° to 80°C)
Jaw Opening	3.54" (90mm)
Maximum Conductor Size	Cable: 2.52" Ø max (64mm); Bus bar: 1.97 x 5.31" (50 x 135mm); 2.52 x 3.94" (64 x 100mm)
Dimensions	4.72 x 12.40 x 1.89" (120 x 315 x 48mm)
Weight	2.65 lbs (1200g)
Polycarbonate Material	Handles: 10% fiberglass charged polycarbonate UL94 V0; Jaws: ABS UL V2
<b>SAFETY</b>	
Electrical	EN 61010-2-32
Double Insulation <input type="checkbox"/>	Yes
CE Mark	Yes

Note: Reference conditions:

23°C ± 3°K, 20 to 85% RH, 48 to 65Hz, external magnetic field < 40A/m, no DC component, no external current carrying conductor, test sample centered. Load impedance 0.55Ω.



**Jacks:**  
 Two standard  
 safety banana  
 jacks (4mm)

## ORDERING INFORMATION

## CATALOG NO.

AC Current Probe Model JM813 (Jack – 1mA/A – 3000A max) .....	Cat. #2110.93
Includes a user manual	
<b>Accessories (Optional)</b>	
Banana plug adaptor (to nonrecessed plug) .....	Cat. #1017.45
Leads, set of 2, 5 ft safety (1000V) .....	Cat. #2111.29
Banana/BNC Connector XF-SS (4mm banana plug) .....	Cat. #2111.32