

- DIGITAL GROUND RESISTANCE AND SOIL RESISTIVITY TESTERS

# 4620

# 4630



ENGLISH

User Manual

 **AEMC**<sup>®</sup>  
INSTRUMENTS

# Statement of Compliance

---

Chauvin Arnoux®, Inc. d.b.a. AEMC® Instruments certifies that this instrument has been calibrated using standards and instruments traceable to international standards.

We guarantee that at the time of shipping your instrument has met its published specifications.

**An NIST traceable certificate may be requested at the time of purchase, or obtained by returning the instrument to our repair and calibration facility, for a nominal charge.**

The recommended calibration interval for this instrument is 12 months and begins on the date of receipt by the customer. For recalibration, please use our calibration services. Refer to our repair and calibration section at [www.aemc.com](http://www.aemc.com).

**Serial #:** \_\_\_\_\_

**Catalog #:** \_\_\_\_\_

**Model #:** 4620 / 4630

Please fill in the appropriate date as indicated:

Date Received: \_\_\_\_\_

Date Calibration Due: \_\_\_\_\_



**AEMC**<sup>®</sup>  
INSTRUMENTS

Chauvin Arnoux®, Inc.  
d.b.a AEMC® Instruments  
[www.aemc.com](http://www.aemc.com)

# Table of Contents

---

<b>1. INTRODUCTION .....</b>	<b>3</b>
1.1 International Electrical Symbols.....	4
1.2 Definition of Measurement Categories .....	4
1.3 Receiving Your Shipment.....	4
1.4 Ordering Information.....	5
1.4.1 Kits, Accessories and Replacement Parts .....	6
<b>2. PRODUCT FEATURES .....</b>	<b>7</b>
2.1 Control and Connector Features (Model 4620) .....	7
2.2 Control and Connector Features (Model 4630) .....	8
2.3 Fault Indicator LEDs .....	9
2.3.1 X-Z Fault .....	9
2.3.2 Xv-Y High Resistance .....	9
2.3.3 Xv-Y High Noise.....	9
2.4 Buzzer.....	10
2.5 Over-range Indication .....	10
2.6 Fault LED Indication – Tips and Solutions .....	10
<b>3. SPECIFICATIONS .....</b>	<b>11</b>
3.1 Electrical .....	11
3.2 Mechanical.....	12
3.3 Environmental.....	13
3.4 Safety.....	13
3.5 Auto-ranging .....	13
<b>4. GROUNDING THEORY.....</b>	<b>14</b>
4.1 Grounding Electrode Resistance .....	14
4.1.1 Effect of Electrode Size/Depth on Resistance .....	16
4.1.2 Effects of Soil Resistivity on Electrode Resistance .....	17
4.1.3 Factors Affecting Soil Resistivity .....	17
4.1.4 Effect of Ground Rod Depth on Resistance .....	20
4.2 Ground Resistance Values .....	21
4.3 Ground Resistance Testing Principle .....	23
4.3.1 Position of Auxiliary Electrodes in Measurements .....	24

4.4	Measuring Resistance of Ground Electrodes .....	26
4.4.1	Auxiliary Electrode Spacing .....	28
4.5	Multiple Electrode System .....	28
<b>5.</b>	<b>OPERATION.....</b>	<b>30</b>
5.1	Ground Resistance Measurement Procedure .....	30
5.2	2-Point Measurement (Simplified Measurement) .....	31
5.3	Continuity Measurement.....	32
5.4	Soil Resistivity Measurements.....	32
5.4.1	Purposes of Soil Resistivity .....	32
5.4.2	Types of Resistivity Measurements .....	33
5.5	Soil Resistivity Measurement Procedure (4-Point) .....	34
5.6	How to Use 25Ω Calibration Checker (accessory) .....	36
<b>6.</b>	<b>MAINTENANCE.....</b>	<b>37</b>
6.1	Warning .....	37
6.2	Disassembly .....	37
6.3	Power Supply.....	38
6.3.1	Testing the Battery .....	38
6.3.2	Replacing the Battery (Model 4620) .....	39
6.3.3	Recharging the Battery (Model 4630).....	39
6.3.4	Replacing the Safety Fuse.....	40
6.4	Cleaning.....	40
6.5	Storage .....	40
	Repair and Calibration .....	41
	Technical and Sales Assistance.....	41
	Limited Warranty .....	42
	Warranty Repairs .....	42

# INTRODUCTION







*“It should be impressed on all personnel that a lethal potential can exist between the station ground and a remote ground if a system fault involving the station ground occurs while tests are being made. Since one of the objects of tests on a station ground is the establishment of the location of an effectively remote point for both current and potential electrodes, the leads to the electrodes must be treated as though a possible potential could exist between these test leads and any point on the station ground grid.”*

*- excerpted from IEEE Std. 81-1962*

These safety warnings are provided to ensure the safety of personnel and proper operation of the instrument.

- The instrument must not be operated beyond its specified operating range.
- Safety is the responsibility of the operator.
- All metal objects or wires connected to the electrical system should be assumed to be lethal until tested. Grounding systems are no exception.
- Use extreme caution when using the instrument around energized electrical equipment.
- Never attempt to use the instrument to twist or pry the ground electrode or ground wire away from the equipment being grounded.
- AEMC® Instruments considers the use of rubber gloves to be an excellent safety practice even if the equipment is properly operated and correctly grounded.
- Always inspect the instrument and leads prior to use. Replace any defective parts immediately.

## 1.1 International Electrical Symbols

	Signifies that the instrument is protected by double or reinforced insulation.
	This symbol on the instrument indicates a WARNING and that the operator must refer to the user manual for instructions before operating the instrument. In this manual, the symbol preceding instructions indicates that if the instructions are not followed, bodily injury, installation/sample and/or product damage may result.
	Risk of electric shock. The voltage at the parts marked with this symbol may be dangerous.
	In conformity with WEEE 2002/96/EC

## 1.2 Definition of Measurement Categories

**CAT II:** For measurements performed on circuits directly connected to the electrical distribution system. Examples are measurements on household appliances or portable tools.

**CAT III:** For measurements performed in the building installation at the distribution level such as on hardwired equipment in fixed installation and circuit breakers.

**CAT IV:** For measurements performed at the primary electrical supply (<1000V) such as on primary overcurrent protection devices, ripple control units, or meters.

## 1.3 Receiving Your Shipment

Upon receiving your shipment, make sure that the contents are consistent with the ordering information. Notify your distributor of any missing items. If the equipment appears to be damaged, file a claim immediately with the carrier and notify your distributor at once, giving a detailed description of any damage. Save the damaged packing container to substantiate your claim.

Do not use equipment which is damaged or appears to be damaged.

## 1.4 Ordering Information

### **Ground Resistance Tester Model 4620..... Cat. #2130.43**

*Includes ground tester workbook on USB stick, 8 C cell batteries and user manual.*

### **Ground Resistance Tester Model 4620 Kit (150 ft) ..... Cat. #2135.19**

*Includes ground tester, two 150 ft color-coded leads on spools (red/blue), one 30 ft lead (green), two T-shaped auxiliary ground electrodes, set of 5 spaded lugs, one 100 ft AEMC® tape measure, ground tester workbook on USB stick, batteries, carrying bag and user manual.*

### **Ground Resistance Tester Model 4620 Kit (300 ft) ..... Cat. #2135.20**

*Includes ground tester, two 300 ft color-coded leads on spools (red/blue), two 100 ft color-coded leads (hand-tied, green/black), four T-shaped auxiliary ground electrodes, set of 5 spaded lugs, one 100 ft AEMC® tape measure, ground tester workbook on USB stick, batteries, carrying bag and user manual.*

### **Ground Resistance Tester Model 4620 Kit (500 ft) ..... Cat. #2135.21**

*Includes ground tester, two 500 ft color-coded leads on spools (red/blue), two 100 ft color-coded leads (hand-tied, green/black), one 30 ft lead (green), four T-shaped auxiliary ground electrodes, set of 5 spaded lugs, one 100 ft AEMC® tape measure, ground tester workbook on USB stick, batteries, carrying bag and user manual.*

### **Ground Resistance Tester Model 4630..... Cat. #2130.44**

*Includes ground tester workbook on USB stick, rechargeable battery, AC power cord and user manual.*

### **Ground Resistance Tester Model 4630 Kit (150 ft) ..... Cat. #2135.22**

*Includes ground tester, two 150 ft color-coded leads on spools (red/blue), one 30 ft lead (green), two T-shaped auxiliary ground electrodes, set of 5 spaded lugs, one 100 ft AEMC® tape measure, ground tester workbook on USB stick, batteries, carrying bag and user manual.*

### **Ground Resistance Tester Model 4630 Kit (300 ft) ..... Cat. #2135.23**

*Includes ground tester, two 300 ft color-coded leads on spools (red/blue), two 100 ft color-coded leads (hand-tied, green/black), four T-shaped auxiliary ground electrodes, set of 5 spaded lugs, one 100 ft AEMC® tape measure, ground tester workbook on USB stick, batteries, carrying bag and user manual.*

### **Ground Resistance Tester Model 4630 Kit (500 ft) ..... Cat. #2135.24**

*Includes ground tester, two 500 ft color-coded leads on spools (red/blue), two 100 ft color-coded leads (hand-tied, green/black), one 30 ft lead (green), four T-shaped auxiliary ground electrodes, set of 5 spaded lugs, one 100 ft AEMC® tape measure, ground tester workbook on USB stick, batteries, carrying bag and user manual.*

## 1.4.1 Kits, Accessories and Replacement Parts

**Test Kit for 3-Point Testing (150 ft) ..... Cat. #2135.35**

*Includes two 150 ft color-coded leads on spools (red/blue), one 30 ft lead (green), two T-shaped auxiliary ground electrodes, set of 5 spaded lugs, one 100 ft AEMC® tape measure and carrying bag.*

**Test Kit for 4-Point Testing (300 ft) ..... Cat. #2135.36**

*Includes two 300 ft color-coded leads on spools (red/blue), two 100 ft color-coded leads (hand-tied, green/black), four T-shaped auxiliary ground electrodes, set of 5 spaded lugs, one 100 ft AEMC® tape measure and carrying bag.*

**Test Kit for 4-Point Testing (500 ft) ..... Cat. #2135.37**

*Includes two 500 ft color-coded leads on spools (red/blue), two 100 ft color-coded leads (hand-tied, green/black), one 30 ft lead (green), four T-shaped auxiliary ground electrodes, set of 5 spaded lugs, one 100 ft AEMC® tape measure and carrying bag.*

**Test Kit for 3-Point Testing (Supplemental for 4-Point Testing)... Cat. #2135.38**

*Includes two 100 ft color-coded leads (hand-tied, green/black), one 30 ft lead (green), two T-shaped auxiliary ground electrodes, set of 5 spaded lugs, one 100 ft AEMC® tape measure and carrying bag.*

**25Ω Calibration Checker ..... Cat. #2130.59**

**Tape Measure – AEMC 100 ft..... Cat. #2130.60**

**Ground Tester Video/Workbook Set ..... Cat. #2130.64**

**Set of 2, T-Shaped Auxiliary Ground Electrodes ..... Cat. #2135.39**

**Inverter – 12VDC to 120VAC 200 Watt for vehicle use ..... Cat. #2135.43**

**Fuse – Set of 5, 0.1A, >250V, 0.25 x 1.25" ..... Cat. #2970.12**

**Replacement 9.6V Rechargeable Battery Pack (4630)..... Cat. #2960.21**

**115V Power Cord ..... Cat. #5000.14**

**Order Accessories and Replacement Parts Directly Online**

*Check our Storefront at [www.aemc.com/store](http://www.aemc.com/store) for availability*



# PRODUCT FEATURES

## 2.1 Control and Connector Features (Model 4620)

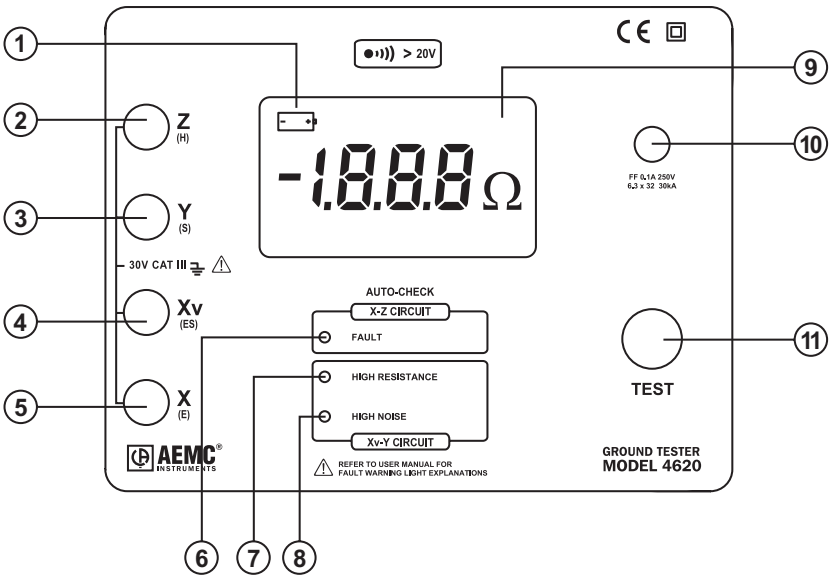


Figure 1

- |                           |   |
|---------------------------|---|
| 1. Low battery indicator  | 7. Xv-Y High Resistance indicator                                       |
| 2. Input terminal Z (H)   | 8. Xv-Y High Noise indicator  |
| 3. Input terminal Y (S)   | 9. Display (with backlight - lights up when the TEST button is pressed) |
| 4. Input terminal Xv (ES) | 10. Fuse holder   |
| 5. Input terminal X (E)   | 11. TEST button   |
| 6. X-Z Fault indicator    | (when released, turns the unit OFF)                                     |

## 2.2 Control and Connector Features (Model 4630)

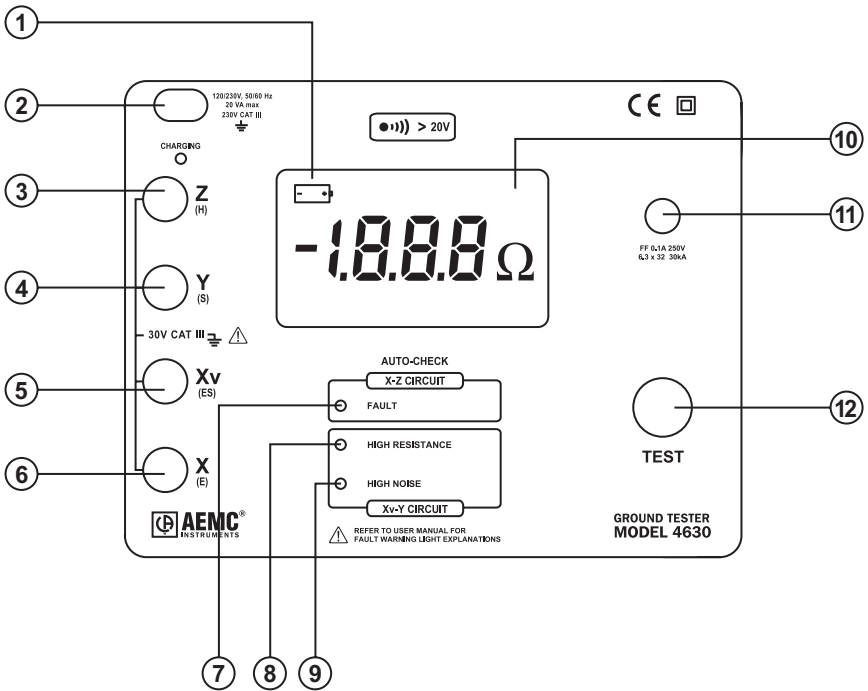


Figure 2

- |                           |                                   |
|---------------------------|-----------------------------------|
| 1. Low battery indicator  | 7. X-Z Fault indicator            |
| 2. AC power input         | 8. Xv-Y High Resistance indicator |
| 3. Input terminal Z (H)   | 9. Xv-Y High Noise indicator      |
| 4. Input terminal Y (S)   | 10. Display (with backlight)      |
| 5. Input terminal Xv (ES) | 11. Fuse holder                   |
| 6. Input terminal X (E)   | 12. Test button                   |

## 2.3 Fault Indicator LEDs

The three indicators confirm that the correct measurement is being taken, if none of them are lit.

### 2.3.1 X-Z Fault

This LED signals that the voltage between terminals X and Z exceeds 30V peak.

There are four possible causes:

- the resistance of the current circuit between X and Z is too high
- interference voltage in the current circuit is too high
- the fuse is blown
- the circuit is open (lead not connected)

### 2.3.2 Xv-Y High Resistance

This LED signals that the resistance in the voltage circuit (between Xv and Y or X and Y) is too high (approx 50k $\Omega$ ) or that the circuit may be open.

- Flashing will continue throughout the measurement, even if the resistance drops below the threshold (e.g. after reconnecting or lowering auxiliary rod resistance). In this case, you must release the push-button and press again after the fault has been corrected.
- Occasionally, a stray voltage above 4.5V may also set off this light.
- Check the leads for a possible solution.

### 2.3.3 Xv-Y High Noise

This LED signals the presence of excessive electrical noise (13V peak approx) in the voltage circuit (between Xv and Y or X and Y).

- One remedy is to use shielded leads from the instrument to the auxiliary electrodes.
- Connect all the shields to the rod under test.

## 2.4 Buzzer

The Models 4620 and 4630 feature a buzzer, which will sound when the terminals of the tester are connected to a voltage source. The sound volume is proportional to the voltage up to 30V approximately, then becomes stable.

## 2.5 Over-range Indication

Over-range is indicated when the display reads 1, or when the display is blinking and the indicator is lit.

## 2.6 Fault LED Indication – Tips and Solutions

The LED indicators show excessive electrode resistance and excessive transient noise and/or stray current.

In the event of an incorrect measurement indication:

- Improve the quality of the connection to earth of auxiliary ground electrodes Y and Z. Z is the most likely source of problems caused by excessive electrode resistance.
- Check connections for continuity between leads and electrodes.
- Be sure that electrodes are properly inserted; they should be buried as much as possible.
- If high electrode resistance still exists after properly inserting auxiliary electrodes into the earth, try pouring water on and around the auxiliary electrodes. This will improve their electrical connection to earth.
- If stray currents are suspected, one solution to reduce their influence is to move both Y and Z electrodes in an arc relative to the X electrode (try, e.g. a 90° shift), and test again.
- Display of 0.00: Xv and Y are short-circuited.
- Display of <0: X and Z or Xv and Y rods are reversed.



**NOTE:** Accuracy may be affected by auxiliary ground rod (Ry, Rz) resistance levels and by stray signal levels (earth currents).

---

# **SPECIFICATIONS**

## **3.1 Electrical**

**Measurement Range:** Auto-ranging 0 to 2000 $\Omega$

<b>Range</b>	20 $\Omega$	200 $\Omega$	2000 $\Omega$
<b>Measurement</b>	0 to 19.99 $\Omega$	20 to 199.9 $\Omega$	200 to 1999 $\Omega$
<b>Resolution</b>	10m $\Omega$	100m $\Omega$	1 $\Omega$
<b>Test Current</b>	10mA	1mA	0.1mA
<b>Accuracy</b>	2% of Reading $\pm$ 1ct		$\pm$ 5% of Reading $\pm$ 3cts
<b>Open Voltage</b>	<42V peak		

**Operating Frequency:** 128Hz square wave

**Max. Auxiliary Rod Resistance:**

<b>Range</b>	20 $\Omega$	200 $\Omega$	2000 $\Omega$
<b>Current Circuit</b>	3k $\Omega$	30k $\Omega$	50k $\Omega$
<b>Voltage Circuit</b>	50k $\Omega$		

**Response Time:** 4 to 8 seconds approx for a stabilized measurement

### **Interference:**

The Models 4620 & 4630 are designed to reject high levels of interference voltage (DC, 50/60Hz, harmonics)

- DC voltage in series with X: 20V
- AC voltage in series with Y: 13V peak (@ 16.67, 50, 60, 400Hz)
- AC voltage in series with Z: 32V peak (@ 16.67, 50, 60, 400Hz)

*Accuracies and specifications are given for an ambient temperature of 23°C  $\pm$  3°K, RH of 45 to 55%, battery power at 9.5V, auxiliary resistance at the measurement terminals = 0, no stray voltage, an electrical field < 1V/m, and a magnetic field from 0 to 40A/m.*

**Voltage Detection Range:** 20 to 250VAC between the X and Z terminals or between the Xv and Z terminals.

**Frequency:** DC at 450Hz


**Voltage Withstanding:** Both models are fuse protected. In the event of a system fault, the units can withstand 250VAC or 100VDC.

**Fuse Protection:** High breaking capacity - 0.1A, >250V, 0.25 x 1.25"

## **Model 4620**

**Power Source:** Eight 1.5V C cell batteries

**Battery Life:** 4500 measurements of 15 seconds each

**Low Battery Indicator:** If the  indicator lights up, the batteries are losing power.

## **Model 4630**

**Power Source:** NiMH rechargeable cell (4630)

**Battery Life:** 2000 measurements of 15 seconds each

### **Battery Charging:**

External recharge - 120-230V/50-60Hz, 20VA

Charge time - 6 hrs to attain 80% of the battery capacity

**Low Battery Indicator:** If the “CHARGE” indicator turns on solid RED, the battery needs to be charged.

## **3.2 Mechanical**

### **Connection:**

Color-coded terminals accept spade lugs with minimum gap of 6mm or standard 4mm banana jacks.

### **Display:**

2000-count 7 segment LCD, approx 1" high (3-1/2 digit)

LCD also indicates overrange, test lead shorts and lead reversals.

Blue electroluminescent backlight.

### **Dimensions:**

10.8 x 9.7 x 5.0" (273 x 247 x 127mm)

### **Weight:**

Model 4620: 6.28 lbs (2.85kg)

Model 4630: 7.38 lbs (3.35kg)

### **Colors:**

Case - safety yellow; Front panel - gray

### **Mechanical Protection:**

The Models 4620 and 4630 have successfully undergone all the required mechanical tests and therefore meet all the requirements of the standards EN 61557 and EN 61010-1.

### 3.3 Environmental

**Operating Temperature:**

14° to 131°F (-10° to 55°C), 0 to 90% RH

**Storage Temperature:**

-40° to 158°F (-40° to 70°C), 0 to 90% RH with batteries removed

### 3.4 Safety



**Electrical:**

EN 61010-1 + A2 (ed. 95)

EN 61557 (ed. 97)

30Vrms, CAT III, Pollution Degree 2

**Electromagnetic Compatibility:**

EN 61326-1 (ed.98)

*\*Specifications are subject to change without notice*

### 3.5 Auto-ranging

The selection of the measurement current is depending on the resistance to measure.

When the instrument is turned ON, the measurement starts on the smallest current range (100µA). If the measurement is between 185 and 1950cts, the range stays the same (100µA). If the measurement is under 185cts, the current is multiplied by 10 (within 10mA max). If it is above 1950cts, the current is divided by 10 (without going under 100µA).

This is done to avoid switching back and forth between ranges when you are measuring 190Ω. It is possible to display 190.0 or 190Ω depending on the automatic range selection.

## **GROUNDING THEORY**

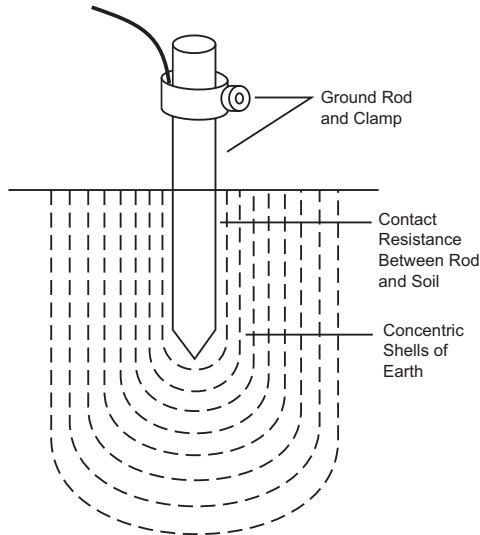
### **4.1 Grounding Electrode Resistance**

Figure 3 illustrates a grounding rod. The resistance of the electrode has the following components:

- the resistance of the metal and that of the connection to it
- the contact resistance of the surrounding earth to the electrode
- the resistance in the surrounding earth

More specifically:

- A) Grounding electrodes are usually made of a very conductive metal (copper) with adequate cross sections so that overall resistance is negligible.
- B) The National Institute of Standard and Technology (N.I.S.T.) has demonstrated that the resistance between the electrode and the surrounding earth is negligible if the electrode is free of paint, grease or other coating, and if the earth is firmly packed.



*Figure 3*



- C) The only component remaining is the resistance of the surrounding earth. The electrode can be thought of as being surrounded by concentric shells of earth or soil, all of the same thickness. The closer the shell to the electrode, the smaller its surface; hence, the greater its resistance. The farther away the shells are from the electrode, the greater the surface of the shell; hence, the lower the resistance. Eventually, adding shells at a distance from the grounding electrode will no longer noticeably affect the overall earth resistance surrounding the electrode. The distance at which this effect occurs is referred to as the effective resistance area and is directly dependent on the depth of the grounding electrode.

In theory, the ground resistance may be derived from the general formula:

$$R = \rho \frac{L}{A} \quad \left( \text{Resistance} = \text{Resistivity} \times \frac{\text{Length}}{\text{Area}} \right)$$

This formula clearly illustrates why the shells of concentric earth decrease in resistance the farther they are from the ground rod:

$$R = \text{Resistivity of Soil} \times \frac{\text{Thickness of Shell}}{\text{Area}}$$

In the case of ground resistance, uniform earth (or soil) resistivity throughout the volume is assumed, although this is seldom the case in nature. The equations for systems of electrodes are very complex and often expressed only as approximations. The most commonly used formula for single ground electrode systems, developed by Professor H. R. Dwight of the Massachusetts Institute of Technology, follows:

$$R = \frac{\rho}{2\pi L} \left[ \left( \ln \frac{4L}{r} \right) - 1 \right]$$

R = resistance in ohms of the ground rod to the earth (or soil)

L = grounding electrode length

r = grounding electrode radius

$\rho$  = average resistivity in ohms-cm

### 4.1.1 Effect of Ground Electrode Size and Depth on Resistance

**Size:** Increasing the diameter of the rod does not materially reduce its resistance. Doubling the diameter reduces resistance by less than 10%.

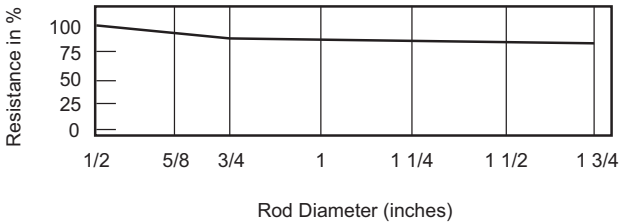


Figure 4

**Depth:** As a ground rod is driven deeper into the earth, its resistance is substantially reduced. In general, doubling the rod length reduces the resistance by an additional 40%.

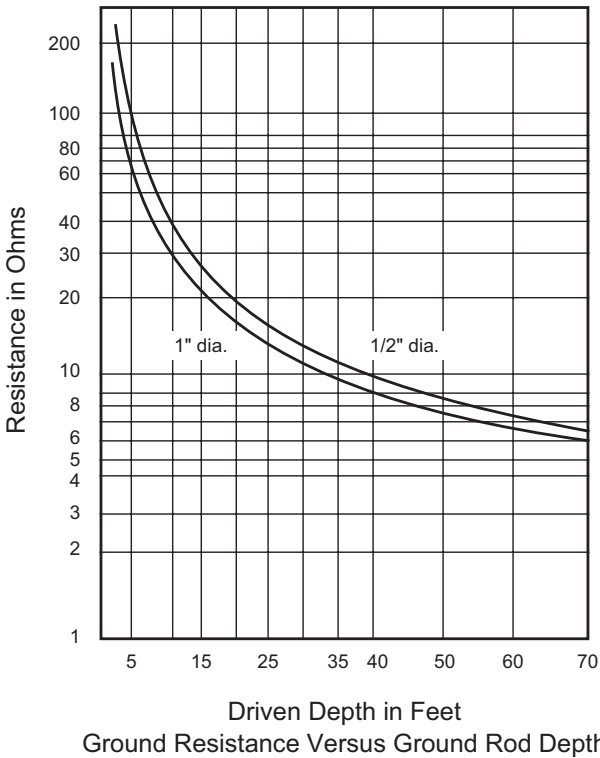


Figure 5

NEC® 2014 250.52 (A)(5) requires a minimum of 8 ft (2.4m) of the electrode to be in contact with the soil. The most common of electrode is a 10 ft (3m) cylindrical rod which meets the NEC® code, which requires a minimum diameter of 5/8" (1.59cm).

### 4.1.2 Effects of Soil Resistivity on Ground Electrode Resistance

Dwight’s formula, cited previously, shows that the resistance to earth of grounding electrodes depends not only on the depth and surface area of grounding electrodes but on soil resistivity as well.

Soil resistivity is the key factor that determines what the resistance of a grounding electrode will be, and to what depth it must be driven to obtain low ground resistance.

The resistivity of the soil varies widely throughout the world and changes seasonally. Soil resistivity is determined largely by its content of electrolytes, consisting of moisture, minerals and dissolved salts. A dry soil has high resistivity if it contains no soluble salts.

Soil	Resistivity, Ω-cm		
	Minimum	Average	Maximum
Ashes, cinders, brine, waste	590	2370	7000
Clay, shale, gumbo, loam	340	4060	16,300
Same, with varying proportions of sand and gravel	1020	15,800	135,000
Gravel, sand, stones with little clay or loam	59,000	94,000	458,000

Table 1

### 4.1.3 Factors Affecting Soil Resistivity

Two samples of soil, when thoroughly dried, may become in fact very good insulators, having a resistivity in excess of 10<sup>9</sup> ohm-centimeters. The resistivity of the soil sample is seen to change quite rapidly until approximately twenty percent or greater moisture content is reached.

Moisture content, % by weight	Resistivity, $\Omega$ -cm	
	Top Soil	Sandy Loam
0	$> 10^9$	$> 10^9$
2.5	250,000	150,000
5	165,000	43,000
10	53,000	18,500
15	19,000	10,500
20	12,000	6300
30	6400	4200

Table 2

The resistivity of the soil is also influenced by temperature. Table 3 shows the variation of the resistivity of sandy loam, containing 15.2% moisture, with temperature changes from 20° to -15°C. In this temperature range the resistivity is seen to vary from 7200 to 330,000 ohm-centimeters.

Temperature		Resistivity $\Omega$ -cm
°C	°F	
20	68	7200
10	50	9900
0	32 (water)	13,800
0	32 (ice)	30,000
-5	23	79,000
-15	14	330,000

Table 3

Because soil resistivity directly relates to moisture content and temperature, it is reasonable to assume that the resistance of any grounding system will vary throughout the different seasons of the year. Such variations are shown in Figure 6 below.

Since both temperature and moisture content become more stable at greater distances below the surface of the earth, it follows that a grounding system (to be most effective at all times) should be constructed with the ground rod driven down a considerable distance below the surface of the earth. Best results are obtained if the ground rod reaches the water table.

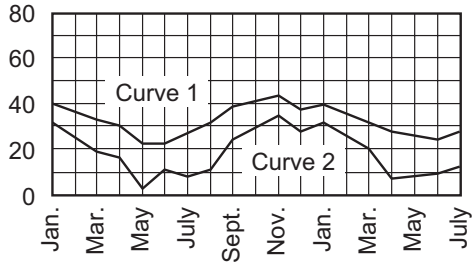


Figure 6

Seasonal variation of earth resistance with an electrode of 3/4" pipe in rather stony clay soil. Depth of electrode in earth is 3 ft for Curve 1, and 10 ft for Curve 2.

In some locations, the resistivity of the earth is so high that low-resistance grounding can be obtained only at considerable expense and with an elaborate grounding system.

In such situations, it may be economical to use a ground rod system of limited size and to reduce the ground resistivity by periodically increasing the soluble chemical content of the soil.

Table 4 shows the substantial reduction in resistivity of sandy loam brought about by an increase in chemical salt content.

The Effect of Salt* Content on the Resistivity of Soil (sandy loam, moisture content, 15% by weight, temperature 17°C)	
Added Salt % by weight of moisture	Resistivity (Ohm-centimeters)
0	10,700
0.1	1800
1.0	460
5	190
10	130
20	100

Table 4

Chemically treated soil is also subject to considerable variation of resistivity with changes in temperature, as shown in Table 5.

If salt treatment is employed, it is necessary to use auxiliary ground electrodes, which will resist chemical corrosion.

<b>The Effect of Temperature on the Resistivity of Soil Containing Salt*</b> (sandy loam, 20% moisture; salt 5% of weight of moisture)	
<b>Temperature °C</b>	<b>Resistivity (Ohm-centimeters)</b>
20	110
10	142
0	190
-5	312
-13	1440

Table 5

\*Such as copper sulfate, sodium carbonate and others. Salts must be EPA or local ordinance approved prior to use.

#### 4.1.4 Effect of Ground Rod Depth on Resistance

To assist the engineer in determining the approximate ground rod depth required to obtain a desired resistance, a device called the Grounding Nomograph may be used. The Nomograph, shown in Figure 7, indicates that to obtain a grounding resistance of 20 ohms in a soil with a resistivity of 10,000 ohm-centimeters, a 5/8" OD rod must be driven 20 ft. Note that the values indicated on the Nomograph are based on the assumption that the soil is homogeneous and, therefore, has uniform resistivity. The Nomograph value is an approximation.

# Grounding Nomograph

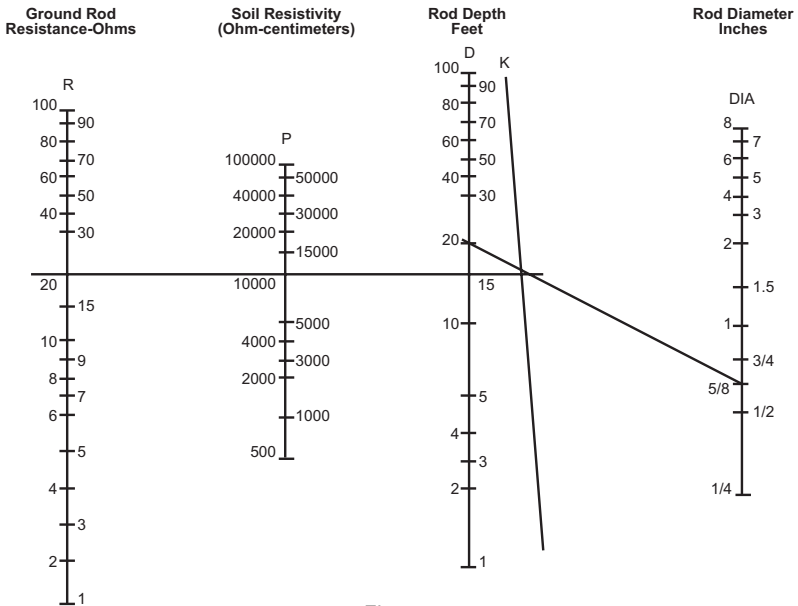


Figure 7

1. Select required resistance on R scale.
2. Select apparent resistivity on P scale.
3. Lay straightedge on R and P scale, and allow to intersect with K scale.
4. Mark K scale point.
5. Lay straightedge on K scale point and DIA scale, and allow to intersect with D scale.
6. Point on D scale will be rod depth required for resistance on R scale.

## 4.2 Ground Resistance Values

NEC® 2008 article 250.56 regarding the resistance of rod, pipe and plate electrodes states that if the rod, pipe, or plate does not have a resistance of  $25\Omega$  or less to ground shall be augmented by one additional electrode of any of the types specified by 250.52 (A)(4) through (A)(8). Where multiple rod, pipe or plate electrodes are installed to meet the requirements of the section, they shall not be less than 6 feet apart.

FPN: The paralleling efficiency of rods longer than 8 feet is improved by spacing greater than 6 feet apart.

The National Electrical Code® (NEC®) states that the resistance to ground shall not exceed  $25\Omega$ . This is an upper limit and guideline, since much lower resistance is required in many instances.

### ***“How low in resistance should a ground be?”***

An arbitrary answer to this in ohms is difficult. The lower the ground resistance, the safer, and for positive protection of personnel and equipment, it is worth the effort to aim for less than one ohm. It is generally impractical to reach such a low resistance along a distribution system or a transmission line or in small substations. In some regions, resistances of  $5\Omega$  or less may be obtained without much trouble. In others, it may be difficult to bring resistance of driven grounds below  $100\Omega$ .

Accepted industry standards stipulate that transmission substations should be designed not to exceed one ohm resistance. In distribution substations, the maximum recommended resistance is  $5\Omega$ . In most cases, the buried grid system of any substation will provide the desired resistance.

In light industrial or in telecommunications central offices,  $5\Omega$  is often the accepted value. For lightning protection, the arresters should be coupled with a maximum ground resistance of  $1\Omega$ .

These parameters can usually be met with the proper application of basic grounding theory. There will always exist circumstances which will make it difficult to obtain the ground resistance required by the NEC®. When these situations develop, several methods of lowering the ground resistance can be employed. These include parallel rod systems, deep driven rod systems utilizing sectional rods and chemical treatment of the soil. Additional methods, discussed in other published data, are buried plates, buried conductors (counterpoise), electrically connected building steel, and electrically connected concrete reinforced steel.

Electrically connecting to existing water and gas distribution systems was often considered to yield low ground resistance; however, recent design changes utilizing non-metallic pipes and insulating joints have made this method of obtaining a low resistance ground questionable and in many instances unreliable.

Auxiliary ground electrodes will be required in high voltage transmission lines, where maximum resistance of 15 ohms is recommended, and in distribution lines, where maximum resistance of 25 ohms is preferred. All electrical systems constructed in accordance with the National Electrical Code®, should not exceed 25 ohms.



The measurement of ground resistances may only be accomplished with specially designed test equipment. Most instruments use the Fall of Potential principle of alternating current (AC) circulating between an auxiliary electrode and the ground electrode under test; the reading will be given in ohms and represents the resistance of the ground electrode to the surrounding earth. AEMC® Instruments has also recently introduced a clamp-on ground resistance tester.

*The National Electrical Code® and NEC® are registered trademarks of the National Fire Protection Association.*

### **4.3 Ground Resistance Testing Principle** **(Fall-of-Potential — 3-Point Measurement)**

3-Point measurement is used to measure resistance to ground of auxiliary ground electrodes and grids. The potential difference between rods X and Y is measured by a voltmeter, and the current flow between rods X and Z is measured by an ammeter.

By Ohm's Law  $E = RI$  or  $R = E/I$ , we may obtain the ground electrode resistance R.

If  $E = 20V$  and  $I = 1 A$ , then:

$$R = \frac{E}{I} = \frac{20}{1} = 20 \text{ ohms}$$

It is not necessary to carry out all the measurements when using a ground tester. The ground tester will measure directly by generating its own current and displaying the resistance of the ground electrode.

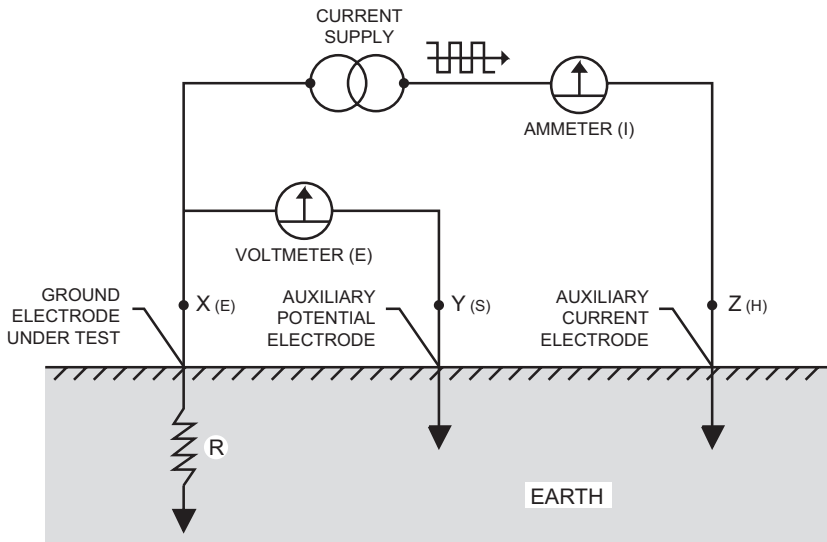


Figure 8



**NOTE:** Terminals X and Xv are shorted together in 3-Point measurement.

### 4.3.1 Position of the Auxiliary Electrodes in Measurements

The goal in precisely measuring the resistance to ground is to place the auxiliary current electrode Z far enough from the ground electrode under test so that the auxiliary potential electrode Y will be outside of the effective resistance areas of both the ground electrode and the auxiliary current electrode. The best way to find out if the auxiliary potential rod Y is outside the effective resistance areas is to move it between X and Z and to take a reading at each location. If the auxiliary potential rod Y is in an effective resistance area (or in both if they overlap), by displacing it, the readings taken will vary noticeably in value. Under these conditions, no exact value for the resistance to ground may be determined.

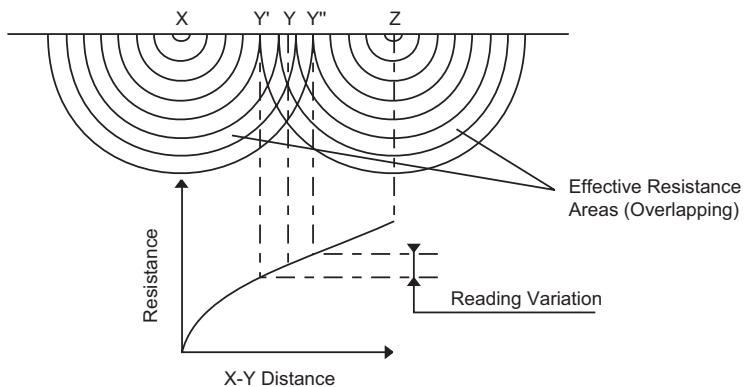


Figure 9

On the other hand, if the auxiliary potential rod Y is located outside of the effective resistance areas, as Y is moved back and forth the reading variation is minimal. The readings taken should be relatively close to each other, and are the best values for the resistance to ground of the ground X. The readings should be plotted to ensure that they lie in a “plateau” region as shown in Figure 10.

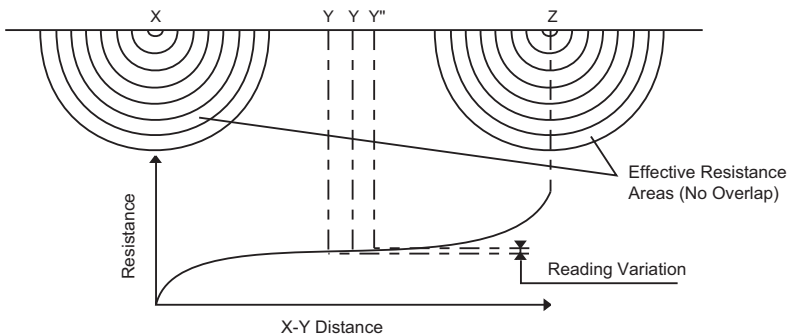


Figure 10

## 4.4 Measuring Resistance of Ground Electrodes (62% Method)

The 62% method has been adopted after graphical consideration and after actual test. It is the most accurate method but is limited by the fact that the ground tested is a single unit.

This method applies only when all three electrodes are in a straight line and the ground is a single electrode, pipe, or plate, etc., as in Figure 11.

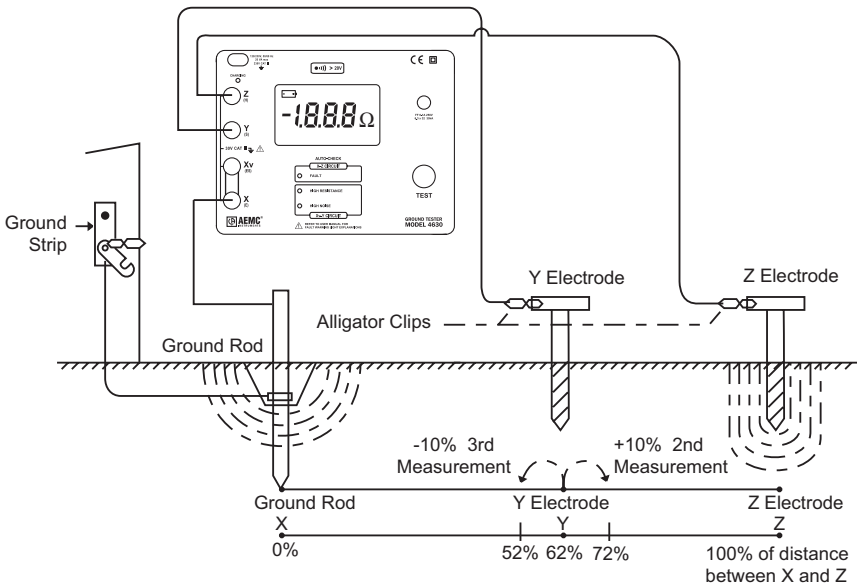


Figure 11

Consider Figure 12, which shows the effective resistance areas (concentric shells) of the ground electrode X and of the auxiliary current electrode Z. The resistance areas overlap.

If readings were taken by moving the auxiliary potential electrode Y towards either X or Z, the reading differentials would be great and one could not obtain a reading within a reasonable band of tolerance. The sensitive areas overlap and act constantly to increase resistance as Y is moved away from X.

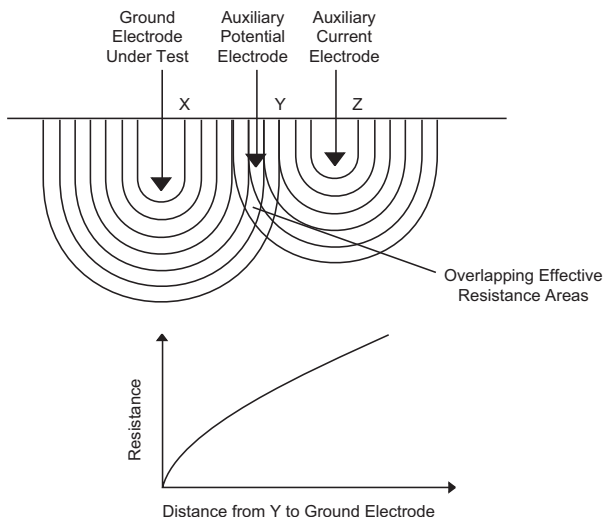


Figure 12

Now consider Figure 13, where the X and Z electrodes are sufficiently spaced so that the areas of effective resistance do not overlap. If we plot the resistance, measured we find that the measurements level off when Y is placed at 62% of the distance from X to Z, and that the readings on either side of the initial Y setting are most likely to be within the established tolerance band. This tolerance band is defined by the user and expressed as a percent of the initial reading:  $\pm 2\%$ ,  $\pm 5\%$ ,  $\pm 10\%$ , etc.

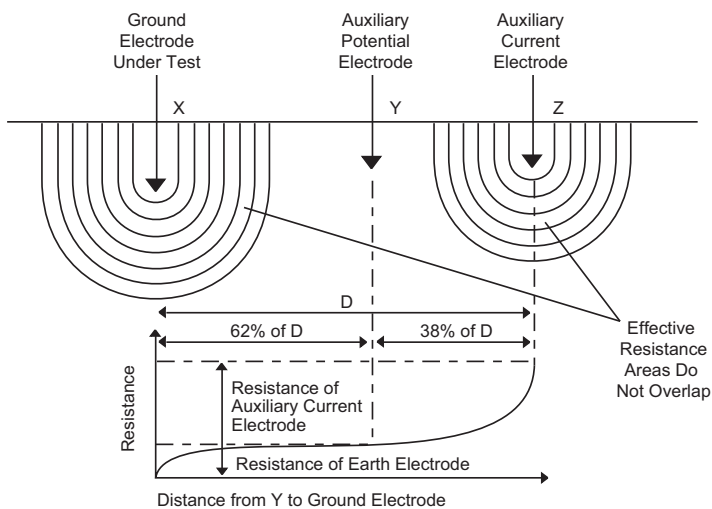


Figure 13

### 4.4.1 Auxiliary Electrode Spacing

No definite distance between X and Z can be given, since this distance is relative to the diameter of the electrode tested, its length, the homogeneity of the soil tested, and particularly, the effective resistance areas. However, an approximate distance may be determined from the following chart which is given for a homogeneous soil and an electrode of 1" in diameter. (For a diameter of 1/2", reduce the distance by 10%; for a diameter of 2" increase the distance by 10%.)

<b>Approximate Distance to Auxiliary Electrodes Using the 62% Method</b>		
<b>Depth Driven</b>	<b>Distance to Y</b>	<b>Distance to Z</b>
6 ft	45 ft	72 ft
8 ft	50 ft	80 ft
10 ft	55 ft	88 ft
12 ft	60 ft	96 ft
18 ft	71 ft	115 ft
20 ft	74 ft	120 ft
30 ft	86 ft	140 ft

Table 6

### 4.5 Multiple Electrode System

A single driven ground electrode is an economical and simple means of making a good ground system, but sometimes a single rod will not provide sufficient low resistance, and several ground electrodes will be driven and connected in parallel by a cable.

Very often when two, three or four ground electrodes are used, they are driven in a straight line. When four or more are used, a hollow square configuration is used and the ground electrodes are still connected in parallel and equally spaced (Figure 14).

In multiple electrode systems, the 62% method electrode spacing may no longer be applied directly. The distance of the auxiliary electrodes is now based on the maximum grid distance (e.g. in a square, the diagonal; in a line, the total length). A square having a side of 20 ft will have a diagonal of approximately 28 ft.

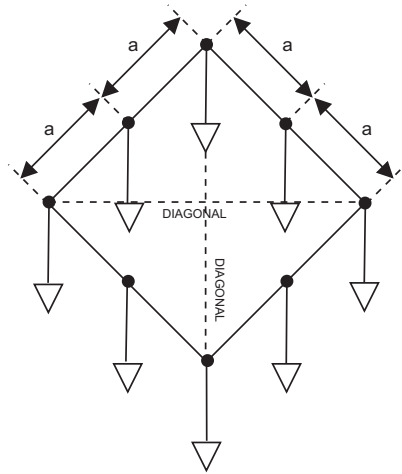


Figure 14

Multiple Electrode System		
Max Grid Distance	Distance to Y	Distance to Z
6 ft	78 ft	125 ft
8 ft	87 ft	140 ft
10 ft	100 ft	160 ft
12 ft	105 ft	170 ft
14 ft	118 ft	190 ft
16 ft	124 ft	200 ft
18 ft	130 ft	210 ft
20 ft	136 ft	220 ft
30 ft	161 ft	260 ft
40 ft	186 ft	300 ft
50 ft	211 ft	340 ft
60 ft	230 ft	370 ft
80 ft	273 ft	440 ft
100 ft	310 ft	500 ft
120 ft	341 ft	550 ft
140 ft	372 ft	600 ft
160 ft	390 ft	630 ft
180 ft	434 ft	700 ft
200 ft	453 ft	730 ft

Table 7

## OPERATION

### 5.1 Ground Resistance Measurement Procedure (3-Point)

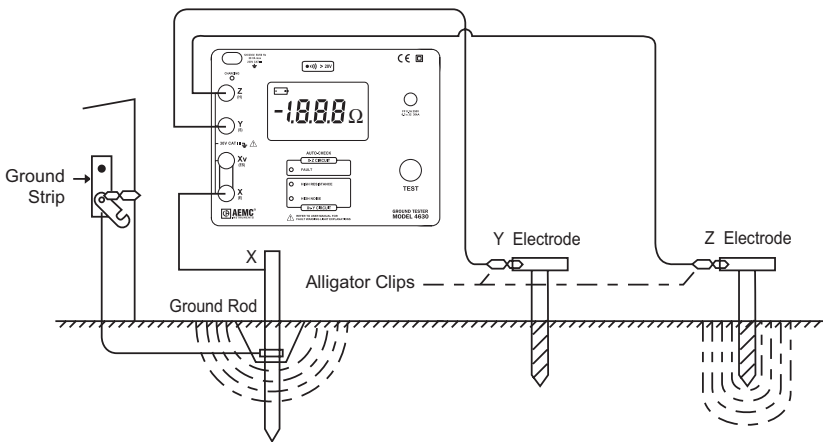


Figure 15



**WARNING:** Use extreme caution when disconnecting the ground connection from the rest of the circuit. Current may be flowing and a dangerous potential could exist between the disconnected wires.

- X and Xv (E, ES) are shorted
- Disconnect shorting link between Y and Z (S, H)
- Connect X to the ground rod to be tested
- Connect Y (S) to the center electrode
- Connect Z (H) to the outer electrode
- Depress the “Test” button to measure ground resistance



## 5.2 2-Point Measurement (Simplified Measurement)

This is an alternative method to 3-Point measurement *when an excellent ground is already available*.

In congested areas where finding room to drive the two auxiliary ground electrodes may be a problem, the 2-Point measurement method may be applied. The reading obtained will be that of the two grounds in series. Therefore, the water pipe or other ground must be very low in resistance so that it will be negligible in the final measurement. The lead resistances will also be measured and should be deducted from the final measurement.

This method is not as accurate as 3-Point method (62% method), as it is particularly affected by the distance between the tested electrode and the dead ground or water pipe. This method should not be used as a standard procedure, but rather as a backup in tight areas.

### Procedure:

- Short X and Xv (E, ES)
- Short Y and Z (S, H)
- Connect X to ground rod to be measured
- Connect Z to an electrode
- Measure as in the 3-Point method

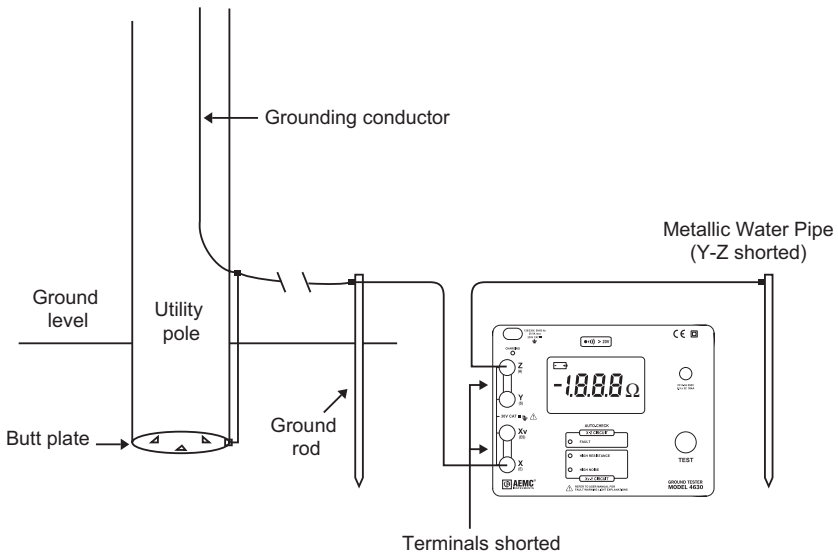


Figure 16

## 5.3 Continuity Measurement

Connect the shorting link, supplied with the instrument, between X and Xv (E and Es).

Connect a short wire or jumper cable between Y and Z (H and S) as shown in Figure 17.

Continuity measurement is made with two leads, one from X-Xv and the other from Y-Z.

Push the “Test” button to measure continuity. This is a good test to verify bonding between grounding electrode and the ground wire.

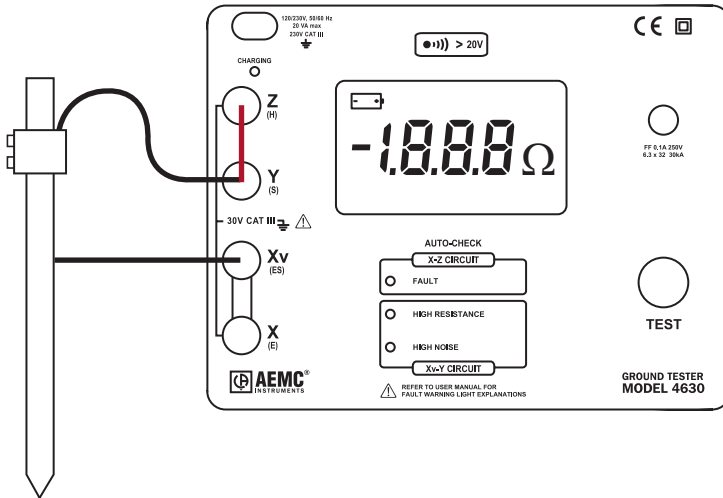


Figure 17

## 5.4 Soil Resistivity Measurements

### 5.4.1 Purposes of Soil Resistivity

Soil resistivity measurements have three purposes:

1. Such data is used to make sub-surface geophysical surveys as an aid in identifying ore locations, depth to bedrock and other geological phenomena.
2. Resistivity has a direct impact on the degree of corrosion in underground pipelines. A decrease in resistivity relates to an increase in corrosive activity and therefore dictates the protective treatment to be used.

- Soil resistivity directly affects the design of a grounding system, and it is to that task that this discussion is directed. When designing an extensive grounding system, it is advisable to locate the area of lowest soil resistivity in order to achieve the most economical grounding installation.

## 5.4.2 Types of Resistivity Measurements

There are two types of resistivity measurements:

- **2-Point method**

The 2-Point method is simply the resistance measured between two points.

- **4-Point method**

For most applications, the most accurate method is the 4-Point method, which is used by the AEMC® Instruments Model 4620 and 4630 Ground Testers. The 4-Point method, as the name implies, requires the insertion of four equally spaced, in-line electrodes into the test area. A known current from a constant current generator is passed between the outermost electrodes (X and Z). The potential drop (a function of the resistance) is then measured across the two innermost electrodes (Xv and Y). The Models 4620 and 4630 are calibrated to read directly in ohms.

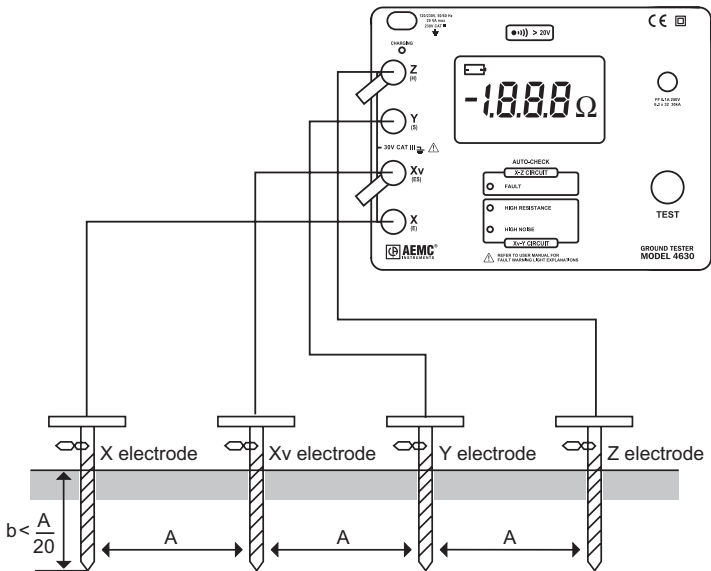


Figure 18

## 5.5 Soil Resistivity Measurement Procedure (4-Point)

Given a sizeable tract of land in which to determine the optimum soil resistivity, some intuition is in order. Assuming that the objective is low resistivity, preference should be given to an area containing moist loam as opposed to a dry sandy area. Consideration must also be given to the depth at which resistivity is required.

- Disconnect the shorting link from the X and Xv terminals.
- Arrange the electrodes in a straight line. Be sure that distances between electrodes are identical.

*Example:* 10 ft between each electrode for auxiliary ground electrodes that will be driven 10 ft deep (See Figure 18).

- The distance between poles is proportional to the average depth of the soil sample you wish to make.
- The electrodes should be placed at a depth of approximately 6" (0.15m), so that the depth is approximately 1/20th of the distance between electrodes.
- Use leads to connect the X, Xv, Y, and Z electrodes to the respective terminals on the Digital Ground Resistance Tester.
- Press the "Test" button.
- Read the resistance level (R) indicated on the display.
- In the event of difficulties in performing measurements, consult the previous instructions concerning ground resistance measurements.
- Apply the following formula in order to determine resistivity ( $\rho$ ):

$$\rho = 2\pi \times R \times A$$

A = distance between electrodes in cm

$\rho$  = resistivity in  $\Omega\text{cm}$

R = ohms reading obtained on Model 4620/4630

---

**Example 1:** For measurement performed in soil with a high limestone content, the reading is  $R = 225\Omega$ , with  $A = 300\text{cm}$  (3m).

---

$$\rho = 2\pi \times 225\Omega \times 300\text{cm}$$

$$\rho = 423,900\Omega\text{cm}$$

**Example 2:** After inspection, the area to be investigated has been narrowed down to a plot of ground approximately 75 square feet (22.5m<sup>2</sup>). Assume that you need to determine the resistivity at a depth of 15 ft (457cm). The distance “A” between the electrodes must then be equivalent to the depth at which average resistivity is to be determined (15ft or 450cm). Using the more simplified Wenner formula ( $\rho = 2\pi AR$ ), the electrode depth must then be 1/20th of the electrode spacing or 8-7/8" (22.5cm). If the electrode spacing is greater than 1/20th of the electrode spacing, the following formula must be used:

$$\rho = \sqrt{1 + \frac{4\pi AR}{\sqrt{(A^2 + 4B^2)}} - \frac{2A}{\sqrt{(4A^2 + 4B^2)}}$$

Lay out the electrodes in a grid pattern (Figure 20) and connect to the Model 4630 as shown in Figure 19. Proceed as follows:

- Remove the shorting link between X and Xv
- Connect all four auxiliary ground electrodes

**Example 3:** If the reading is R = 15:

$$\rho \text{ (resistivity)} = 2\pi \times R \times A$$

$$A \text{ (distance between electrodes)} = 450 \text{ cm}$$

$$\rho = 6.28 \times 15 \times 450 = 42,390\Omega\text{cm}$$

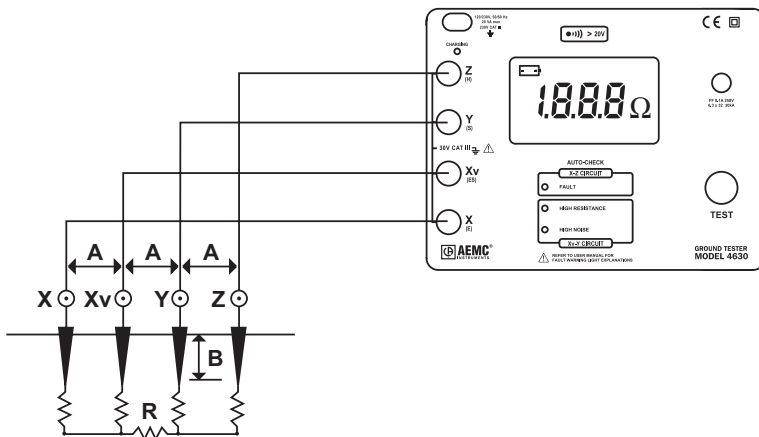


Figure 19

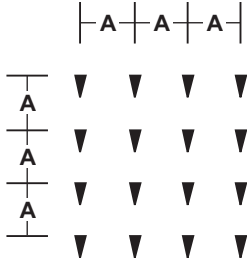


Figure 20

## 5.6 How to Use 25Ω Calibration Checker (optional accessory)

The calibration checker is good for both the 4620 and 4630. It has a resistance of 25Ω. The procedure to use the calibration checker is as follows:

- Loosen the X, Xv, Y and Z terminals.
- Insert the calibration checker as shown in Figure 21.
- Tighten down the terminals X, Xv, Y and Z.
- Push down the “Test” button.
- Compare the reading on the display to the measurement range provided below.



**NOTE:** For alignment purposes of the calibration checker, it is recommended that the shorting links remain connected.

If a check performed on the Model 4630 or 4620 displays a reading between 24.1Ω and 25.9Ω (as in Figure 21), the instrument is in good working condition. The readings are for an ambient temperature between 68° and 79°F (25°C ±3°C).

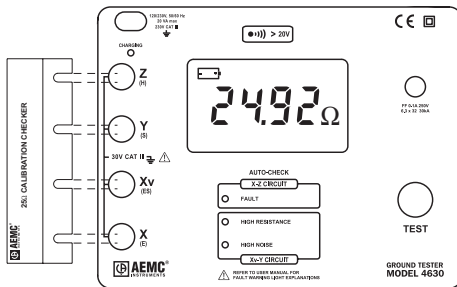


Figure 21

# **MAINTENANCE**

## **6.1 Warning**



Please make sure that you have already read and fully understand the **WARNING** section on page 3.

---

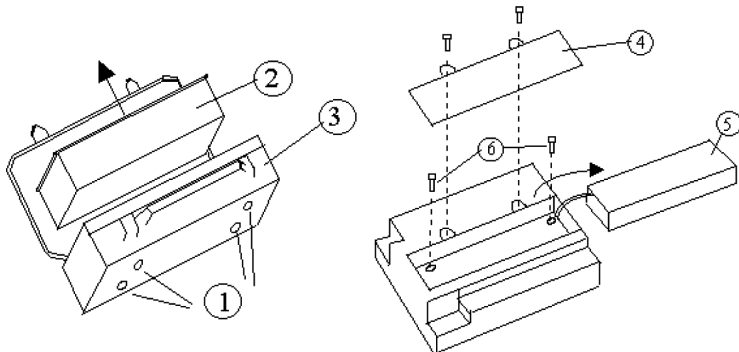
- To avoid electrical shock, do not attempt to perform any servicing unless you are qualified to do so.
- To avoid electrical shock and/or damage to the instrument, do not get water or other foreign agents into the case.
- Turn the instrument **OFF** and disconnect the unit from all circuits before opening the case.
- Use specified spare parts only.

## **6.2 Disassembly**

### **Necessary equipment:**

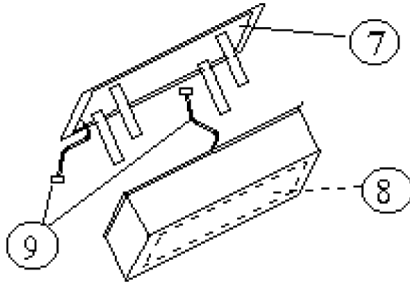
- A Torx ACX.10 screwdriver or similar
- A Phillips screwdriver

With the Phillips screwdriver, remove the 4 screws (1) at the back of the case and free the internal unit (2) from the yellow case (3).



### To open the internal unit:

- Set the unit upside-down on the table and open the battery compartment (4) by removing the 2 Phillips screws holding the latch. Then, free the battery (5) or the batteries (depending on the type of instrument).
- Remove the 2 Torx screws (6) in the bottom of the battery compartment.



- To get access to the two connectors (9) linking the power supply and display boards together, lift up the cover of the internal unit. Once these connectors are free, it is possible to completely pull away the bottom part from the cover.
- The display board (7) is connected to the front plate.
- The power supply board (8) is connected to the bottom of the body.

### To free the display board from the cover:

- Remove the 3 Phillips screws and unsolder all the wires connecting to the terminals and to the fuse.

### To free the power supply board from the bottom of the body:

- Remove the 6 Phillips screws at the back of the body and disconnect the connector coming from the battery.

## 6.3 Power Supply

### 6.3.1 Testing the Battery

- Short-circuit the X and Z terminals.
- Press the “TEST” button.
- If the low battery or charge indicator lights up on the display you will need to replace or recharge the batteries.



### 6.3.2 Replacing the Battery (Model 4620)

- Detach the four screws on the bottom of the yellow case.
- Remove the shell and front panel assembly.
- Unscrew the two fastening screws on the battery compartment, then remove the cover.
- Remove the 8 batteries and replace them.

To replace the batteries with rechargeable cells (1.2V - 2 Ah or above, NiCd or NiMH of the same size):

- Remove the plug under the batteries.
- Set the switch to the position: NiCd/NiMH
- Replace the plug.
- Insert the 8 rechargeable cells.



**NOTE:** The Model 4620 does not have a built-in battery charger. The rechargeable cells will need to be charged outside the instrument.

---

### 6.3.3 Recharging the Battery (Model 4630)

- Connect the battery charge connector to the mains.
- The CHARGE indicator light will turn red.
- When the battery is charged, the CHARGE indicator will become green.
- The charge time is approximately 6 hrs for 80% of the battery capacity.

#### To achieve maximum charge capacity:

- Disconnect the power cord (the green LED will go out in approximately 20 sec).
- Reconnect the power cord. The charge will resume where the first charge left off, and continue until maximum capacity is achieved.



**NOTE:** If the unit has been stored for a long period of time, recharge the battery before use.

---



**NOTE:** 1/2 hr charge provides enough power for one day of measurements (approx 135 measurements lasting 15 sec).

---

### 6.3.4 Replacing the Safety Fuse

To check the fuse continuity, short circuit the X and Z terminals and make a measurement. If the FAULT indicator light flashes, it means that the fuse is blown.

To replace the fuse:



**NOTE:** Do not replace the fuse when the instrument is connected.

---

- The fuse is located on the front of the faceplate.
- Using a screwdriver, turn the screw a quarter of a turn.
- Take out the support containing the fuse.
- Replace the fuse (0.1A, >250V, 0.25 x 1.25").
- Replace the support and screw it back in.

### 6.4 Cleaning



**NOTE:** Disconnect the instrument from any source of electricity.

---

- Use a soft cloth lightly dampened with soapy water.
- Rinse with a damp cloth and then dry with a dry cloth.
- Do not use alcohol, solvents or hydrocarbons.

### 6.5 Storage

If the Model 4620 is not used for a long period of time (two months or more), remove the batteries and store them separately.

If the Model 4630 is not used for a long period of time (two months or more), it is recommended to charge the battery for a few hours.

## **Repair and Calibration**

To ensure that your instrument meets factory specifications, we recommend that it be scheduled back to our factory Service Center at one-year intervals for recalibration, or as required by other standards or internal procedures.

### **For instrument repair and calibration:**

You must contact our Service Center for a Customer Service Authorization Number (CSA#). This will ensure that when your instrument arrives, it will be tracked and processed promptly. Please write the CSA# on the outside of the shipping container. If the instrument is returned for calibration, we need to know if you want a standard calibration, or a calibration traceable to N.I.S.T. (Includes calibration certificate plus recorded calibration data).

**Ship To:** Chauvin Arnoux®, Inc. d.b.a. AEMC® Instruments  
15 Faraday Drive  
Dover, NH 03820 USA  
Phone: (800) 945-2362 (Ext. 360)  
(603) 749-6434 (Ext. 360)  
Fax: (603) 742-2346 or (603) 749-6309  
E-mail: [repair@aemc.com](mailto:repair@aemc.com)

(Or contact your authorized distributor)

Costs for repair, standard calibration, and calibration traceable to N.I.S.T. are available.

**NOTE: You must obtain a CSA# before returning any instrument.**

## **Technical and Sales Assistance**

If you are experiencing any technical problems, or require any assistance with the proper operation or application of your instrument, please call, mail, fax or e-mail our technical support team:

Chauvin Arnoux®, Inc. d.b.a. AEMC® Instruments  
200 Foxborough Boulevard  
Foxborough, MA 02035 USA  
Phone: (800) 343-1391  
(508) 698-2115  
Fax: (508) 698-2118  
E-mail: [techsupport@aemc.com](mailto:techsupport@aemc.com)  
[www.aemc.com](http://www.aemc.com)

**NOTE: Do not ship Instruments to our Foxborough, MA address.**

## **Limited Warranty**

The Models 4620 and 4630 are warranted to the owner for a period of one year from the date of original purchase against defects in manufacture. This limited warranty is given by AEMC® Instruments, not by the distributor from whom it was purchased. This warranty is void if the unit has been tampered with, abused or if the defect is related to service not performed by AEMC® Instruments.

**Full warranty coverage and product registration is available on our website at [www.aemc.com/warranty.html](http://www.aemc.com/warranty.html).**

**Please print the online Warranty Coverage Information for your records.**

### **What AEMC® Instruments will do:**

If a malfunction occurs within the one-year period, you may return the instrument to us for repair, provided we have your warranty registration information on file or a proof of purchase. AEMC® Instruments will, at its option, repair or replace the faulty material.

**REGISTER ONLINE AT:  
[www.aemc.com](http://www.aemc.com)**

## **Warranty Repairs**

### **What you must do to return an Instrument for Warranty Repair:**

First, request a Customer Service Authorization Number (CSA#) by phone or by fax from our Service Department (see address below), then return the instrument along with the signed CSA Form. Please write the CSA# on the outside of the shipping container. Return the instrument, postage or shipment pre-paid to:

**Ship To:** Chauvin Arnoux®, Inc. d.b.a. AEMC® Instruments  
15 Faraday Drive • Dover, NH 03820 USA  
Phone: (800) 945-2362 (Ext. 360)  
(603) 749-6434 (Ext. 360)  
Fax: (603) 742-2346 or (603) 749-6309  
E-mail: [repair@aemc.com](mailto:repair@aemc.com)

**Caution:** To protect yourself against in-transit loss, we recommend you insure your returned material.

**NOTE:** You must obtain a CSA# before returning any instrument.

**Notes:**

---







11/15

99-MAN 100259 v17