

# AcuSplitCT Series 3135R

## Split Core Current Transformers

The Accuenergy split core CTs are compact and low-cost current transformers with high accuracy. The CTs are ideal for quick and easy installation without disconnecting cables during installation. Multiple installation mechanisms provide stable and durable current measurement.

### FEATURES

- Multiple output including 5A, 1A, 80mA, 100mA, 200mA, 333mV
- Simple hinged installation
- Can be installed on cable, bus and panel
- Standard Window size from 0.75 to 5 by 7 inch
- Listed to UL2808, 61010-1 and CSA 22.2

### SPECIFICATIONS

Rated Primary Current	Up to 1500A
Rated Output	5A, 1A, 80mA, 100mA, 200mA, 333mV
Withstand Voltage	5,000Vac
Operating Amb. Temperature	-15°C to 65°C
Accuracy	IEC 60044-1 0.5s class
Lead	8 ft(2.5m) UL 1015 22AWG
Construction	UL enclosure rated to 135°C
Certifications	UL listed UL2808, 61010-1 and CSA 22.2

### ORDERING INFORMATION

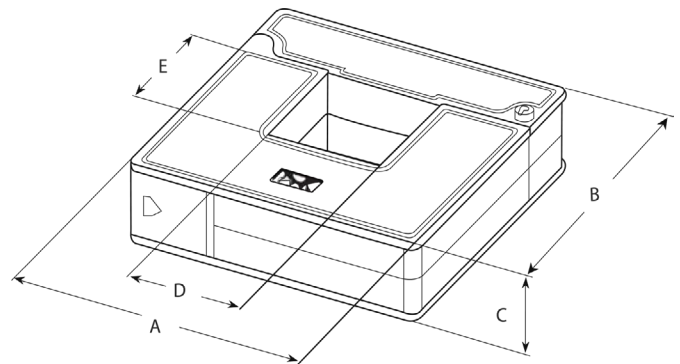
	Rated Input	Rated Output
Ordering Number	AcuCT-3135R -	-
Ordering Example	<b>AcuCT-3135R - 600</b>	<b>333mV</b>
	600: 600A	1A
	800: 800A	5A
	1000: 1000A	333mV
	1200: 1200A	80mA
	1500: 1500A	100mA
		200mA

Note: For any other size and ratio, please call.

Contact:  
 Industrial Process Measurement, Inc.  
 3910 Park Avenue, Unit 7  
 Edison, NJ 08820  
 732-632-6400  
 support@instrumentation2000.com  
<https://www.instrumentation2000.com/>



### DIMENSIONS



### SIZE CHART

Dimensions (inch/mm)				
A	B	C	D	E
7/144.0	6.1/154.0	1.25/32.0	3.1/80.0	3.5/90.0

**ACCUENERGY**  
 MAKE ENERGY USAGE SMARTER