

AcuSplitCT Series 200R

Split Core Current Transformers

The Accuenergy split core CTs are compact and low- cost current transformers with high accuracy. The CTs are ideal for quick and easy installation without disconnecting cables during installation. Multiple installation mechanisms provide stable and durable current measurement.

FEATURES

- Multiple output including 1A, 80mA, 100mA, 200mA, 333mV
- Simple hinged installation
- Can be installaed on cable, bus and panel
- Standard Window size from 0.75 to 5 by 7 inch
- Listed to UL2808, 61010-1 and CSA 22.2

SPECIFICATIONS

Rated Primary Current	Up to 1000A
Rated Output	1A, 80mA, 100mA, 200mA, 333mV
Withstand Voltage	5,000Vac
Operating Amb. Temperature	-15°C to 65°C
Accuracy	IEC 60044-1 0.5s class
Lead	8 ft(2.5m) UL 1015 22AWG
Construction	UL enclosure rated to 135°C
Certifications	UL listed UL2808, 61010-1 and CSA 22.2

ORDERING INFORMATION

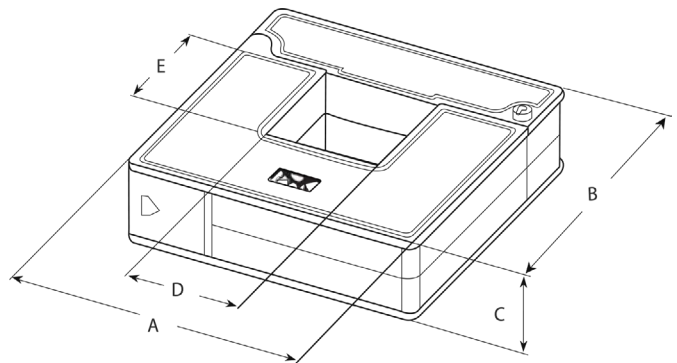
	Rated Input	Rated Output
Ordering Number	AcuCT-200R -	-
Ordering Example	AcuCT-200R - 400	- 333mV
	400: 400A	1A
	600: 600A	333mV
	800: 800A	80mA
	1000: 1000A	100mA
		200mA

Note: For any other size and ratio, please call.

Contact:
 Industrial Process Measurement, Inc.
 3910 Park Avenue, Unit 7
 Edison, NJ 08820
 732-632-6400
 support@instrumentation2000.com
 https://www.instrumentation2000.com/



DIMENSIONS



SIZE CHART

Dimensions (inch/mm)				
A	B	C	D	E
4.4/111.0	4.4/111.0	1.25/32.0	2.0/51.0	2.0/51.0